

11579**84-85 HONDA ACCORD 2 & 4 DOOR**

12/10/2012

GROSS LOAD CAPACITY WHEN USED AS A WEIGHT CARRYING HITCH: 1,000 LBS. TRAILER WEIGHT & 100 LBS. TONGUE WEIGHT.

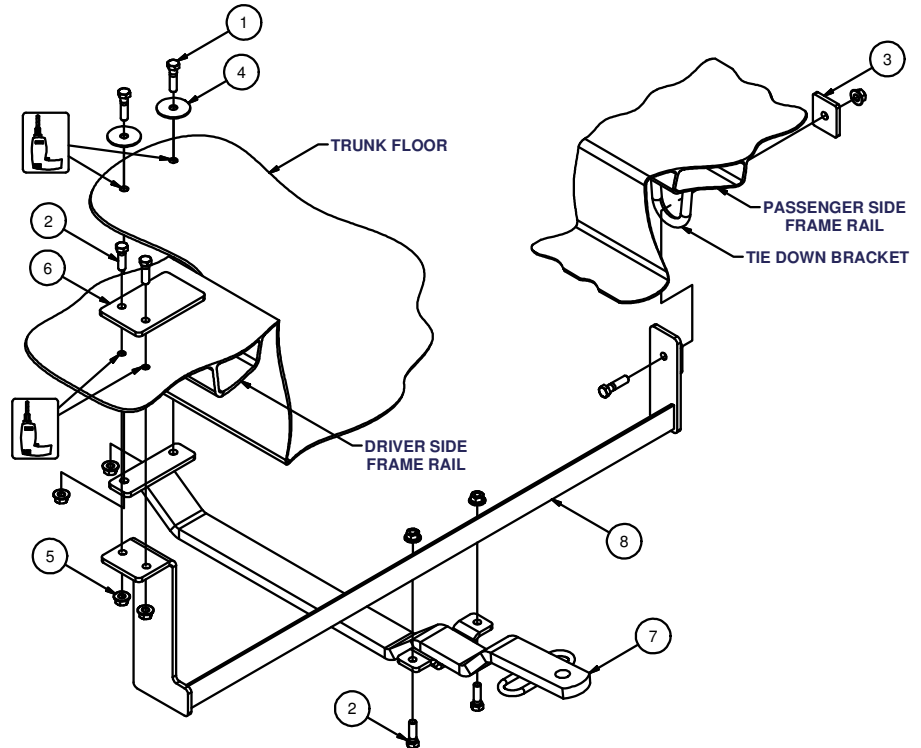
*****DO NOT EXCEED VEHICLE MANUFACTURER'S RECOMMENDED TOWING CAPACITY.*****

WARNING: ALL NON-TRAILER LOADS APPLIED TO THIS PRODUCT MUST BE SUPPORTED BY 18050 STABILIZING STRAPS.

**** FAILURE TO PROPERLY SUPPORT NON-TRAILER LOADS WILL VOID PRODUCT WARRANTY****

HAVING INSTALLATION QUESTIONS? CALL TECHNICAL SUPPORT AT 1-800-798-0813

Parts List			
ITEM	QTY	PART NUMBER	DESCRIPTION
1	3	3/8-16 X 1 1/2	HEX BOLT
2	4	3/8 - 16 x 1 1/4	HEX BOLT
3	1	CM-SP102	.25 x 1.75 x 2.00 SPACER
4	2	3/8"	FENDER WASHER
5	7	HFN3816	HEX FLANGE NUT
6	1	CM-11579-BP	.250" BACKING PLATE
7	1	CM-11579-BMWA	WELDMENT ASSEMBLY
8	1	CM-11579-MBWA	WELDMENT ASSEMBLY



FRONT
↑
REAR

HITCH WEIGHT: 25 LBS.

INSTALL TIME

PROFESSIONAL: 45 MINUTES

NOVICE (DIY): 90 MINUTES

INSTALL NOTES:

- CLEAR TRUNK
- DRILLING REQUIRED
- SILICONE SEAL HARDWARE

INSTALLATION STEPS

1. Clear the vehicle's trunk where holes will be drilled through the trunk floor.
2. Hold the CM-11579-MBWA in place against the vehicle's tie down bracket under the rear of the car. On the passenger side, it should fit on the inside of the tie down bracket, and on the outside of the frame rail on the driver side. Using fasteners as shown, mount the CM-11579-MBWA to the vehicle's tie down bracket making sure CM-SP102 plate seats into bracket to prevent movement.
3. Adjust the CM-11579-MBWA to be square and straight across the vehicle. On the driver's side of the vehicle, use the hitch as a template to drill (2) holes in the trunk floor for 3/8" fasteners. Mount the CM-11579-MBWA at these points with fasteners as shown using the CM-11579-BP plate inside the car.
4. Bolt the CM-11579-BMWA to the CM-11579-MBWA as shown.
5. After checking to make sure the tongue is square with the vehicle, use the tail bracket as a template to drill the trunk floor for (2) 3/8" fasteners. Mount the CM-11579-BMWA to the floor at the tail bracket as shown, making sure to use fender washers inside the vehicle opposite the hitch.
6. Torque all 3/8" fasteners to 45 lb-ft.
7. Use silicone sealant to seal hardware installed through trunk floor.
8. Reinstall contents removed in Step 1.

PERIODICALLY CHECK THIS RECEIVER HITCH TO ENSURE THAT ALL FASTENERS ARE TIGHT AND THAT ALL STRUCTURAL COMPONENTS ARE SOUND.

Curt Manufacturing Inc., warrants this product to be free of defects in material and/or workmanship at the time of retail purchase by the original purchaser. If the product is found to be defective, Curt Manufacturing Inc., may repair or replace the product, at their option, when the product is returned, prepaid, with proof of purchase. Alteration to, misuse of, or improper installation of this product voids the warranty. Curt Manufacturing Inc.'s liability is limited to repair or replacement of products found to be defective, and specifically excludes liability for incidental or consequential loss or damage.