

11582

83-87 HONDA PRELUDE EXCEPT Si

12/17/2012

GROSS LOAD CAPACITY WHEN USED AS A WEIGHT CARRYING HITCH: 1,000 LBS. TRAILER WEIGHT & 100 LBS. TONGUE WEIGHT.

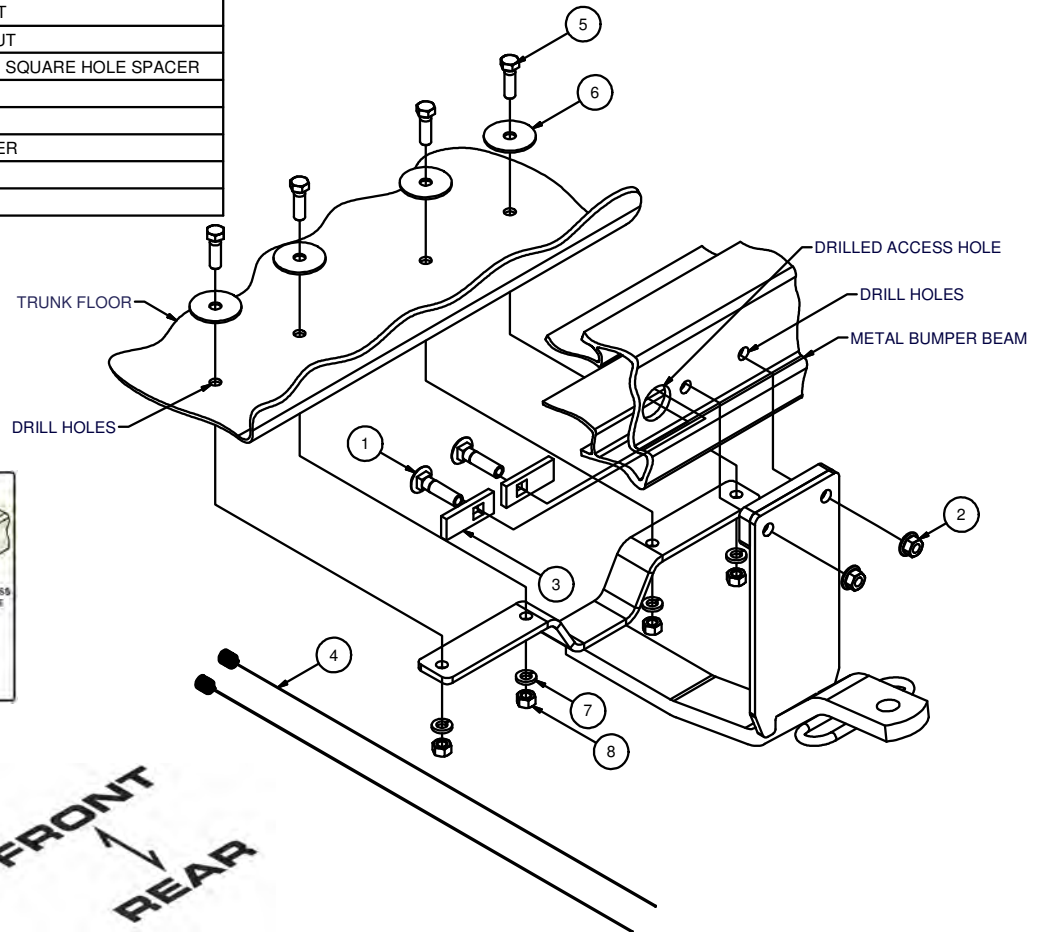
*****DO NOT EXCEED VEHICLE MANUFACTURER'S RECOMMENDED TOWING CAPACITY.*****

WARNING: ALL NON-TRAILER LOADS APPLIED TO THIS PRODUCT MUST BE SUPPORTED BY 18050 STABILIZING STRAPS.

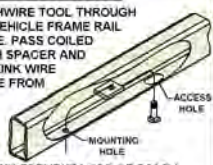
**** FAILURE TO PROPERLY SUPPORT NON-TRAILER LOADS WILL VOID PRODUCT WARRANTY****

HAVING INSTALLATION QUESTIONS? CALL TECHNICAL SUPPORT AT 1-800-798-0813

Parts List			
ITEM	QTY	PART NUMBER	DESCRIPTION
1	2	7/16 - 14 x 1 3/4	CARRIAGE BOLT
2	2	7/16-14	HEX FLANGE NUT
3	2	CM-SP2	.250 x .88 x 2.25" SQUARE HOLE SPACER
4	2	7_16 FISHWIRE	7/16" FISHWIRE
5	4	3/8 - 16 x 1 1/4	HEX BOLT
6	4	3/8"	FENDER WASHER
7	4	3/8"	LOCK WASHER
8	4	3/8 - 16	HEX NUT

**FISHWIRE TECHNIQUE**

INSERT COILED END OF FISHWIRE TOOL THROUGH HITCH MOUNTING HOLE IN VEHICLE FRAME RAIL AND OUT THE ACCESS HOLE. PASS COILED END OF FISHWIRE THROUGH SPACER AND THREAD BOLT INTO COIL. KINK WIRE TO KEEP SPACER SEPERATE FROM BOLT AS SHOWN. PULL FISHWIRE, SPACER, AND BOLT THROUGH FRAME AND OUT MOUNTING HOLE. USE FISHWIRE TO GUIDE HITCH DURING MOUNTING AND PREVENT LOSS OF BOLT / SPACER INSIDE FRAME RAIL.



NOTE: SOME VEHICLES MAY FISHWIRE THROUGH END OF FRAME

HITCH WEIGHT: 12 LBS.

INSTALL TIME

PROFESSIONAL: 45 MINUTES

NOVICE (DIY): 90 MINUTES

INSTALL NOTES:

- CLEAR TRUNK
- DRILLING REQUIRED
- FISHWIRE HARDWARE
- SILICONE SEAL HARDWARE

INSTALLATION STEPS

1. Locate and mark the vehicle's centerline on the rear bumper (metal U-channel located in the license plate cavity). Clear the trunk to permit drilling for the hitch.
2. Position the hitch centered on the vehicle; square and level against the bumper channel and trunk floor. Using the hitch as a template, mark and drill holes in trunk floor for (4) 3/8" hardware and drill (2) holes in metal bumper beam for 7/16" hardware. Drill 1" access hole in bumper beam to fishwire hardware.
3. Fishwire 7/16" carriage bolts and CM-SP2 spacers through access hole and out drilled holes in bumper beam. Install 7/16" hex flange nuts as shown. Install 3/8" hardware as shown with fender washers located inside of trunk.
4. Torque all 3/8" fasteners to 45 lb-ft and 7/16" fasteners to 70 lb-ft.
5. Use silicone sealant to seal hardware installed through trunk floor.
6. Reinstall contents removed from trunk in Step 1. The license plate bracket may have to be reshaped slightly for license plate to clear hitch bolts.

PERIODICALLY CHECK THIS RECEIVER HITCH TO ENSURE THAT ALL FASTENERS ARE TIGHT AND THAT ALL STRUCTURAL COMPONENTS ARE SOUND.

Curt Manufacturing Inc., warrants this product to be free of defects in material and/or workmanship at the time of retail purchase by the original purchaser. If the product is found to be defective, Curt Manufacturing Inc., may repair or replace the product, at their option, when the product is returned, prepaid, with proof of purchase. Alteration to, misuse of, or improper installation of this product voids the warranty. Curt Manufacturing Inc.'s liability is limited to repair or replacement of products found to be defective, and specifically excludes liability for incidental or consequential loss or damage.