

**11613****74-76 MERCEDES BENZ 230, 240, 280, 300**

12/14/2012

GROSS LOAD CAPACITY WHEN USED AS A WEIGHT CARRYING HITCH: 1,500 LBS. TRAILER WEIGHT &amp; 150 LBS. TONGUE WEIGHT.

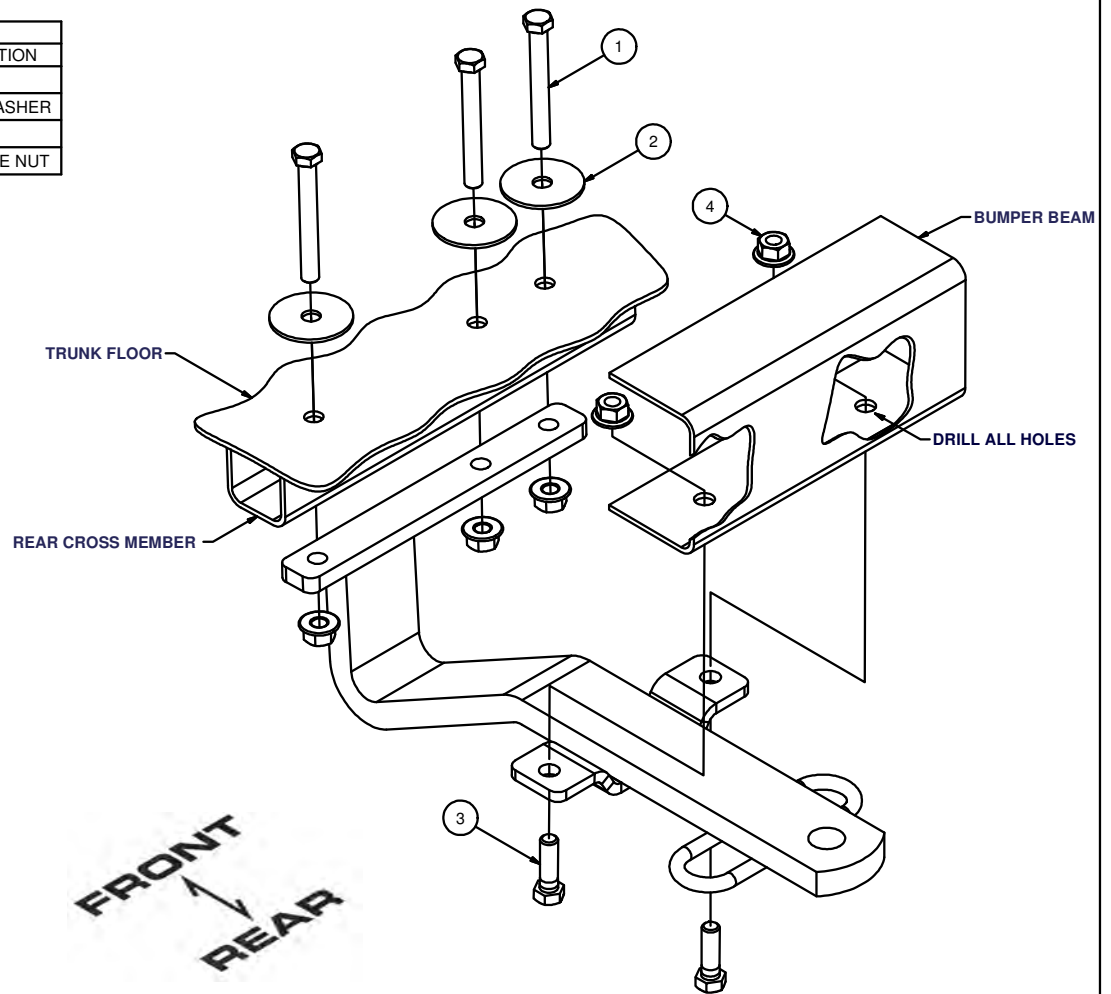
**\*\*\*DO NOT EXCEED VEHICLE MANUFACTURER'S RECOMMENDED TOWING CAPACITY.\*\*\***

WARNING: ALL NON-TRAILER LOADS APPLIED TO THIS PRODUCT MUST BE SUPPORTED BY 18050 STABILIZING STRAPS.

**\*\* FAILURE TO PROPERLY SUPPORT NON-TRAILER LOADS WILL VOID PRODUCT WARRANTY\*\***

HAVING INSTALLATION QUESTIONS? CALL TECHNICAL SUPPORT AT 1-800-798-0813

| Parts List |     |                  |                |
|------------|-----|------------------|----------------|
| ITEM       | QTY | PART NUMBER      | DESCRIPTION    |
| 1          | 3   | 3/8-16 x 3       | HEX BOLT       |
| 2          | 3   | 3/8"             | FENDER WASHER  |
| 3          | 2   | 3/8 - 16 x 1 1/4 | HEX BOLT       |
| 4          | 5   | HFN3816          | HEX FLANGE NUT |

HITCH WEIGHT: 9 LBS.INSTALL TIMEPROFESSIONAL: 45 MINUTESNOVICE (DIY): 90 MINUTESINSTALL NOTES:

- CLEAR TRUNK CONTENTS
- DRILLING REQUIRED
- SILICONE HARDWARE

**INSTALLATION STEPS**

1. Clear trunk contents from vehicle prior to hitch installation for drilling hitch mounting holes.
2. Position the hitch against the vehicle's rear crossmember and bumper as shown; centered and square with the vehicle. Using the hitch as a template, mark and drill through the crossmember and trunk floor (3) places, and through the bumper (2) places for 3/8" fasteners.
3. Bolt the hitch to the rear crossmember using fasteners as shown with fender washers placed INSIDE the trunk.
4. Bolt the bumper bracket in place supporting the hitch at the bumper as shown.
5. Torque all 3/8" fasteners to 45 lb-ft.
6. Apply silicone sealant around fasteners in trunk to seal out water and exhaust fumes.
7. Reinstall trunk contents removed in step 1.

**PERIODICALLY CHECK THIS RECEIVER HITCH TO ENSURE THAT ALL FASTENERS ARE TIGHT AND THAT ALL STRUCTURAL COMPONENTS ARE SOUND.**

Curt Manufacturing Inc., warrants this product to be free of defects in material and/or workmanship at the time of retail purchase by the original purchaser. If the product is found to be defective, Curt Manufacturing Inc., may repair or replace the product, at their option, when the product is returned, prepaid, with proof of purchase. Alteration to, misuse of, or improper installation of this product voids the warranty. Curt Manufacturing Inc.'s liability is limited to repair or replacement of products found to be defective, and specifically excludes liability for incidental or consequential loss or damage.

217335