

11626**89-94 SUZUKI SWIFT & GEO METRO**

11/26/2012

GROSS LOAD CAPACITY WHEN USED AS A WEIGHT CARRYING HITCH: 1,000 LBS. TRAILER WEIGHT & 100 LBS. TONGUE WEIGHT.

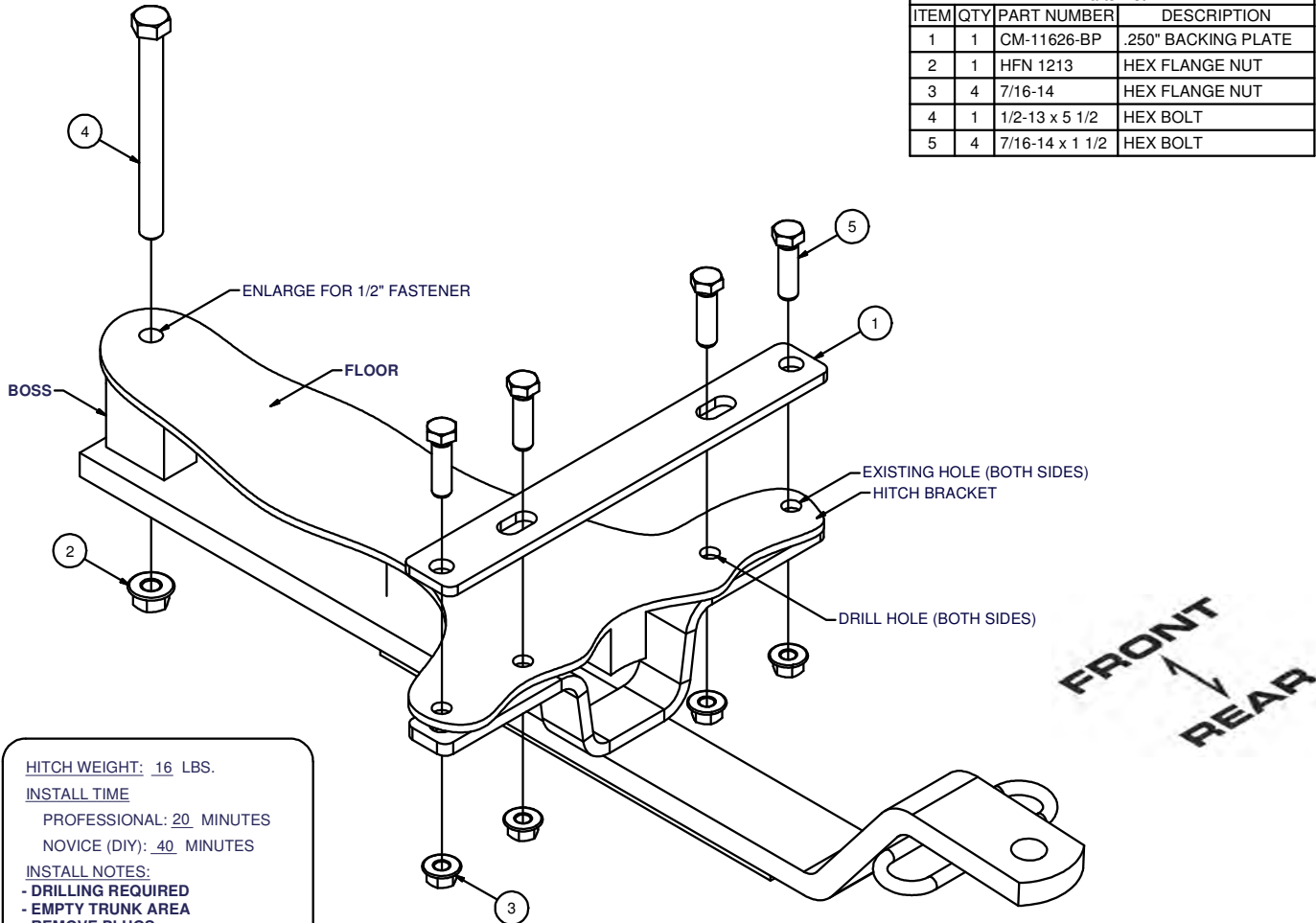
*****DO NOT EXCEED VEHICLE MANUFACTURER'S RECOMMENDED TOWING CAPACITY.*****

WARNING: ALL NON-TRAILER LOADS APPLIED TO THIS PRODUCT MUST BE SUPPORTED BY 18050 STABILIZING STRAPS.

**** FAILURE TO PROPERLY SUPPORT NON-TRAILER LOADS WILL VOID PRODUCT WARRANTY****

HAVING INSTALLATION QUESTIONS? CALL TECHNICAL SUPPORT AT 1-800-798-0813

Parts List			
ITEM	QTY	PART NUMBER	DESCRIPTION
1	1	CM-11626-BP	.250" BACKING PLATE
2	1	HFN 1213	HEX FLANGE NUT
3	4	7/16-14	HEX FLANGE NUT
4	1	1/2-13 x 5 1/2	HEX BOLT
5	4	7/16-14 x 1 1/2	HEX BOLT



HITCH WEIGHT: 16 LBS.

INSTALL TIME

PROFESSIONAL: 20 MINUTES

NOVICE (DIY): 40 MINUTES

INSTALL NOTES:

- DRILLING REQUIRED
- EMPTY TRUNK AREA
- REMOVE PLUGS
- SILICONE SEAL HARDWARE

INSTALLATION STEPS

1. Hold the hitch centered under rear of vehicle and note how hitch mounts under boss at rear crossmember and floor of vehicle. Clear inside of vehicle hatch area and enlarge existing hole at bottom of boss for 1/2" hardware.
2. Temporarily remove the (2) plastic plugs in floor of car. These plugs line up with outer holes in bracket of hitch. Mount the hitch on car at the boss using fasteners as shown. Position the hitch square on car with outer holes in bracket lined up with holes in floor of car. Drill the vehicle floor for 7/16" bolts at inner bracket holes.
3. Mount the hitch to floor of car using backing plate and install fasteners as shown.
4. Torque all 1/2" fasteners to 110 lb.-ft. and all 7/16" fasteners to 70 lb.-ft.
5. Use silicone sealant to seal hardware installed through trunk floor.
6. Reinstall contents removed from hatch area.

PERIODICALLY CHECK THIS RECEIVER HITCH TO ENSURE THAT ALL FASTENERS ARE TIGHT AND THAT ALL STRUCTURAL COMPONENTS ARE SOUND.

Curt Manufacturing Inc., warrants this product to be free of defects in material and/or workmanship at the time of retail purchase by the original purchaser. If the product is found to be defective, Curt Manufacturing Inc., may repair or replace the product, at their option, when the product is returned, prepaid, with proof of purchase. Alteration to, misuse of, or improper installation of this product voids the warranty. Curt Manufacturing Inc.'s liability is limited to repair or replacement of products found to be defective, and specifically excludes liability for incidental or consequential loss or damage.