

11635**87-94 SUBARU WAGON**

12/10/2012

GROSS LOAD CAPACITY WHEN USED AS A WEIGHT CARRYING HITCH: 2,000 LBS. TRAILER WEIGHT & 200 LBS. TONGUE WEIGHT.

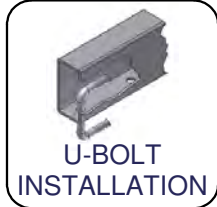
*****DO NOT EXCEED VEHICLE MANUFACTURER'S RECOMMENDED TOWING CAPACITY.*****

WARNING: ALL NON-TRAILER LOADS APPLIED TO THIS PRODUCT MUST BE SUPPORTED BY 18050 STABILIZING STRAPS.

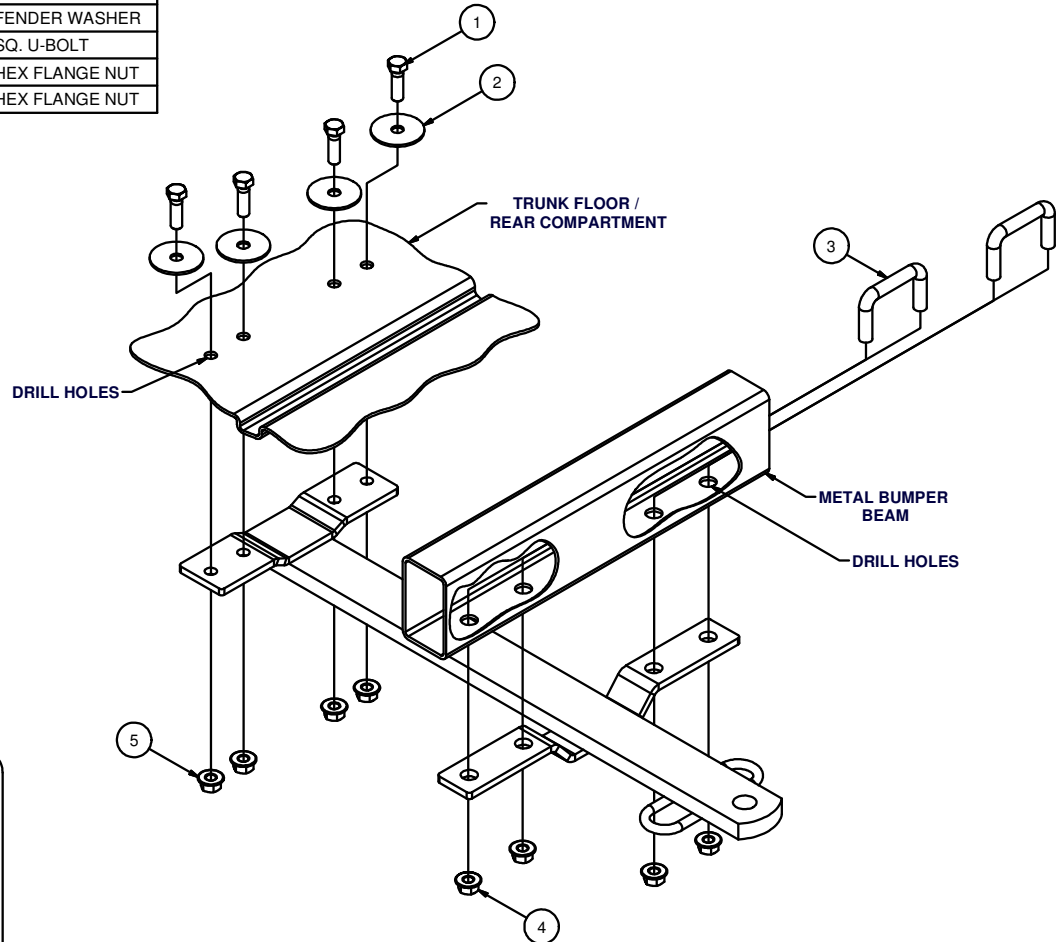
**** FAILURE TO PROPERLY SUPPORT NON-TRAILER LOADS WILL VOID PRODUCT WARRANTY****

HAVING INSTALLATION QUESTIONS? CALL TECHNICAL SUPPORT AT 1-800-798-0813

Parts List			
ITEM	QTY	PART NUMBER	DESCRIPTION
1	4	3/8 - 16 x 1 1/4	HEX BOLT
2	4	3/8"	FENDER WASHER
3	2	7/16-14 x 1.63 x 2.50 C-C	SQ. U-BOLT
4	4	7/16-14	HEX FLANGE NUT
5	4	HFN3816	HEX FLANGE NUT



FRONT
↓
REAR



HITCH WEIGHT: 11 LBS.

INSTALL TIME

PROFESSIONAL: 45 MINUTES

NOVICE (DIY): 90 MINUTES

INSTALL NOTES:

- CLEAR TRUNK
- TRIM FASCIA
- DRILLING REQUIRED
- SILICONE SEAL HARDWARE

INSTALLATION STEPS

1. Remove the material in the cargo area where holes will be drilled. Mark the vehicle's centerline on the underside of the rear bumper. Hold the hitch in place centered and square on the vehicle. Position the hitch so there is a minimum of 1 1/2" between back of hitch ball and the plastic bumper cover.
2. Trim the plastic fascia and retainer as necessary. Hold the hitch in place on the vehicle and use it as a template to mark and drill all holes. Drill holes through the trunk floor for 3/8" fasteners, and holes through the bumper beam for 7/16" hardware.
3. Work (2) rectangular u-bolts into bumper as shown. Mount the hitch to the vehicle using fasteners as shown.
4. Torque all 3/8" fasteners to 45 lb-ft, and all 7/16" fasteners to 70 lb-ft. Do not use impact wrench on u-bolts..
5. Use silicone sealant to seal hardware installed through trunk floor.
6. Reinstall all contents removed in Step 1.

PERIODICALLY CHECK THIS RECEIVER HITCH TO ENSURE THAT ALL FASTENERS ARE TIGHT AND THAT ALL STRUCTURAL COMPONENTS ARE SOUND.

Curt Manufacturing Inc., warrants this product to be free of defects in material and/or workmanship at the time of retail purchase by the original purchaser. If the product is found to be defective, Curt Manufacturing Inc., may repair or replace the product, at their option, when the product is returned, prepaid, with proof of purchase. Alteration to, misuse of, or improper installation of this product voids the warranty. Curt Manufacturing Inc.'s liability is limited to repair or replacement of products found to be defective, and specifically excludes liability for incidental or consequential loss or damage.