

11654**85-90 VOLKSWAGEN GOLF**

12/10/2012

GROSS LOAD CAPACITY WHEN USED AS A WEIGHT CARRYING HITCH: 1,500 LBS. TRAILER WEIGHT & 150 LBS. TONGUE WEIGHT.

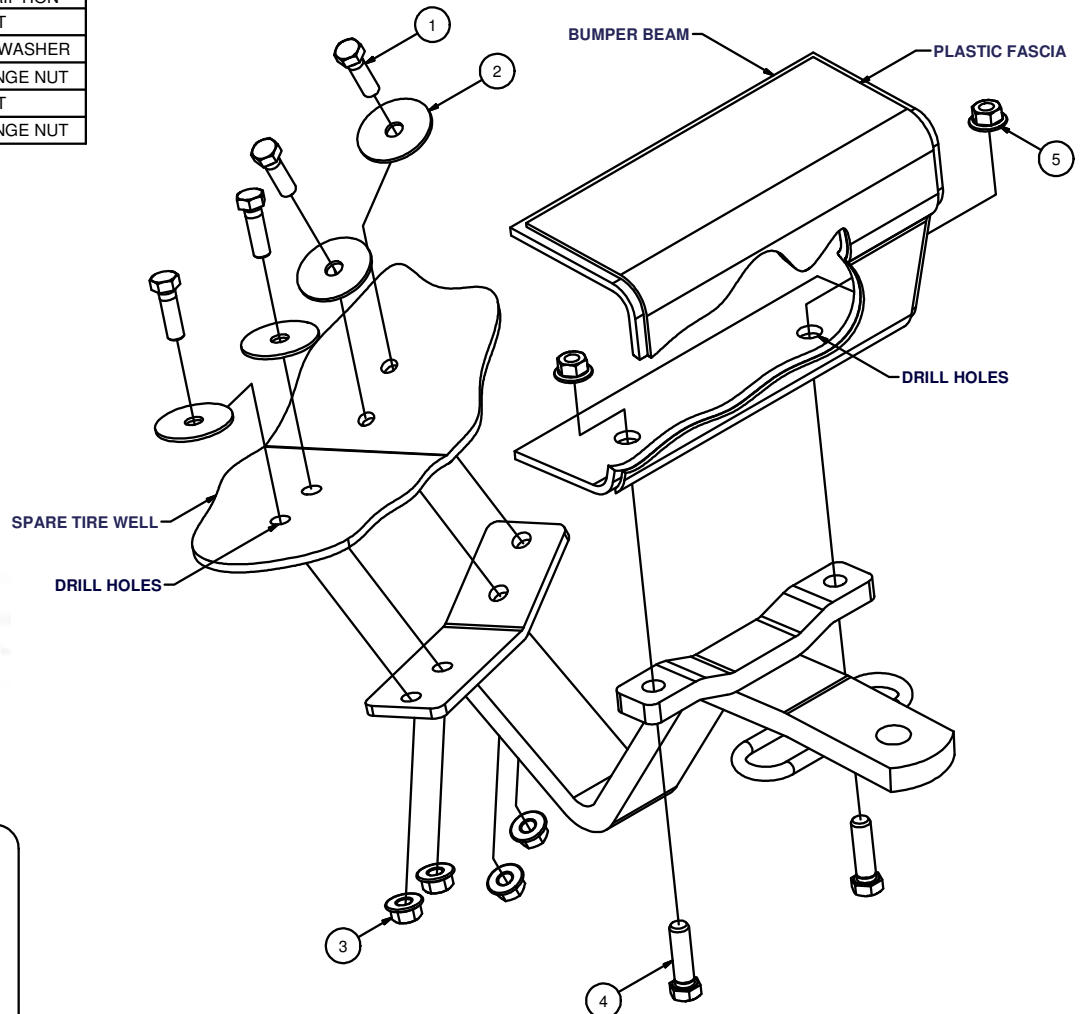
*****DO NOT EXCEED VEHICLE MANUFACTURER'S RECOMMENDED TOWING CAPACITY.*****

WARNING: ALL NON-TRAILER LOADS APPLIED TO THIS PRODUCT MUST BE SUPPORTED BY 18050 STABILIZING STRAPS.

**** FAILURE TO PROPERLY SUPPORT NON-TRAILER LOADS WILL VOID PRODUCT WARRANTY****

HAVING INSTALLATION QUESTIONS? CALL TECHNICAL SUPPORT AT 1-800-798-0813

Parts List			
ITEM	QTY	PART NUMBER	DESCRIPTION
1	4	3/8 - 16 x 1 1/4	HEX BOLT
2	4	3/8"	FENDER WASHER
3	4	HFN3816	HEX FLANGE NUT
4	2	7/16-14 x 1 1/2	HEX BOLT
5	2	7/16-14	HEX FLANGE NUT



HITCH WEIGHT: 9 LBS.

INSTALL TIME

PROFESSIONAL: 30 MINUTES

NOVICE (DIY): 60 MINUTES

INSTALL NOTES:

- CLEAR TRUNK
- FASCIA TRIMMING REQUIRED
- DRILLING REQUIRED
- SILICONE SEAL HARDWARE

INSTALLATION STEPS

1. Clear trunk of contents. Position the hitch against the vehicle's trunk floor and bumper centered and square with the vehicle. Remove plastic fascia to allow the hitch to contact the inner metal bumper beam. Use the hitch as a template to mark and center punch holes for drilling.
2. Drill (4) holes in trunk for 3/8" fasteners, and (2) holes in bumper beam for 7/16" fasteners.
3. Mount hitch to vehicle as shown. Note that the fender washers are placed inside the vehicle opposite the hitch.
4. Torque all 3/8" fasteners to 45 lb-ft, and all 7/16" fasteners to 70 lb-ft.
5. Use silicone sealant to seal hardware installed through trunk floor.
6. Reinstall contents removed in Step 1.

PERIODICALLY CHECK THIS RECEIVER HITCH TO ENSURE THAT ALL FASTENERS ARE TIGHT AND THAT ALL STRUCTURAL COMPONENTS ARE SOUND.

Curt Manufacturing Inc., warrants this product to be free of defects in material and/or workmanship at the time of retail purchase by the original purchaser. If the product is found to be defective, Curt Manufacturing Inc., may repair or replace the product, at their option, when the product is returned, prepaid, with proof of purchase. Alteration to, misuse of, or improper installation of this product voids the warranty. Curt Manufacturing Inc.'s liability is limited to repair or replacement of products found to be defective, and specifically excludes liability for incidental or consequential loss or damage.