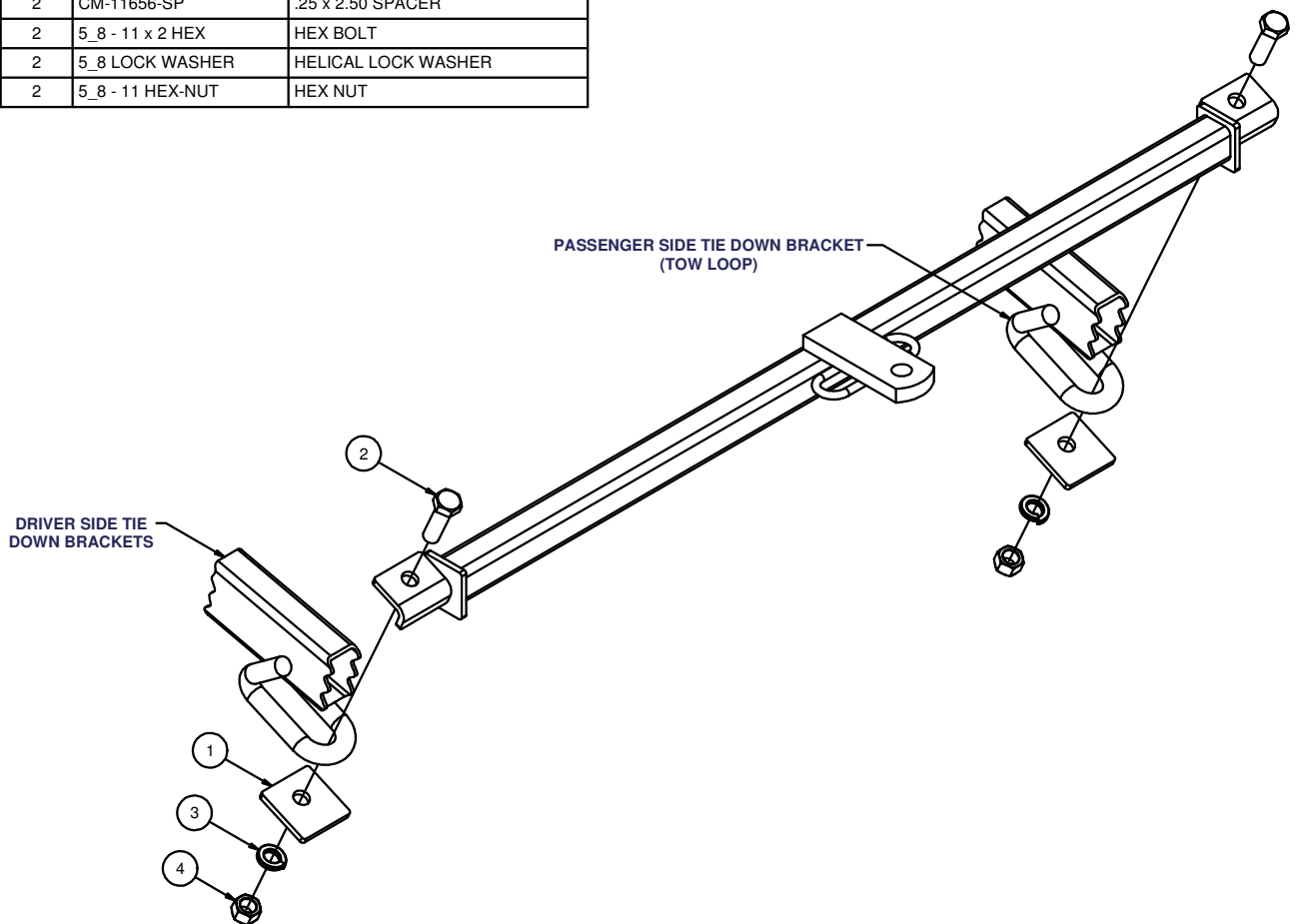


**11656****80-92 VOLKSWAGEN VANAGON**

10/19/2012

GROSS LOAD CAPACITY WHEN USED AS A WEIGHT CARRYING HITCH: 1,500 LBS. TRAILER WEIGHT & 150 LBS. TONGUE WEIGHT.  
**\*\*\*DO NOT EXCEED VEHICLE MANUFACTURER'S RECOMMENDED TOWING CAPACITY.\*\*\***

Parts List			
ITEM	QTY	PART NUMBER	DESCRIPTION
1	2	CM-11656-SP	.25 x 2.50 SPACER
2	2	5_8 - 11 x 2 HEX	HEX BOLT
3	2	5_8 LOCK WASHER	HELICAL LOCK WASHER
4	2	5_8 - 11 HEX-NUT	HEX NUT

HITCH WEIGHT: 15 LBS.INSTALL TIME: 30 MINUTES

INSTALL NOTES:

NO DRILLING REQUIRED

**INSTALLATION STEPS**

- 1) This hitch fits just below the vehicle's rear bumper, with the hitch end brackets resting on top of the vehicle's tie down brackets (two black loops under each end of the bumper). Place the mounting screws provided with the hitch into the holes in the end brackets from the top, and start screws through the loops at the time brackets are placed on top of the loops. Use rotating motion as clearance is minimal.
- 2) Fasten the hitch to tow loops using fasteners as shown with backing plates used under each loop to sandwich the loop as shown.
- 3) Torque all 5/8" fasteners to 210 lb-ft.

**PERIODICALLY CHECK THIS RECEIVER HITCH TO ENSURE THAT ALL FASTENERS ARE TIGHT AND THAT ALL STRUCTURAL COMPONENTS ARE SOUND.**

Curt Manufacturing Inc., warrants this product to be free of defects in material and/or workmanship at the time of retail purchase by the original purchaser. If the product is found to be defective, Curt Manufacturing Inc., may repair or replace the product, at their option, when the product is returned, prepaid, with proof of purchase. Alteration to, misuse of, or improper installation of this product voids the warranty. Curt Manufacturing Inc.'s liability is limited to repair or replacement of products found to be defective, and specifically excludes liability for incidental or consequential loss or damage.