

11660**82-88 VOLKSWAGEN SCIROCCO**

12/17/2012

GROSS LOAD CAPACITY WHEN USED AS A WEIGHT CARRYING HITCH: 1,500 LBS. TRAILER WEIGHT & 150 LBS. TONGUE WEIGHT.

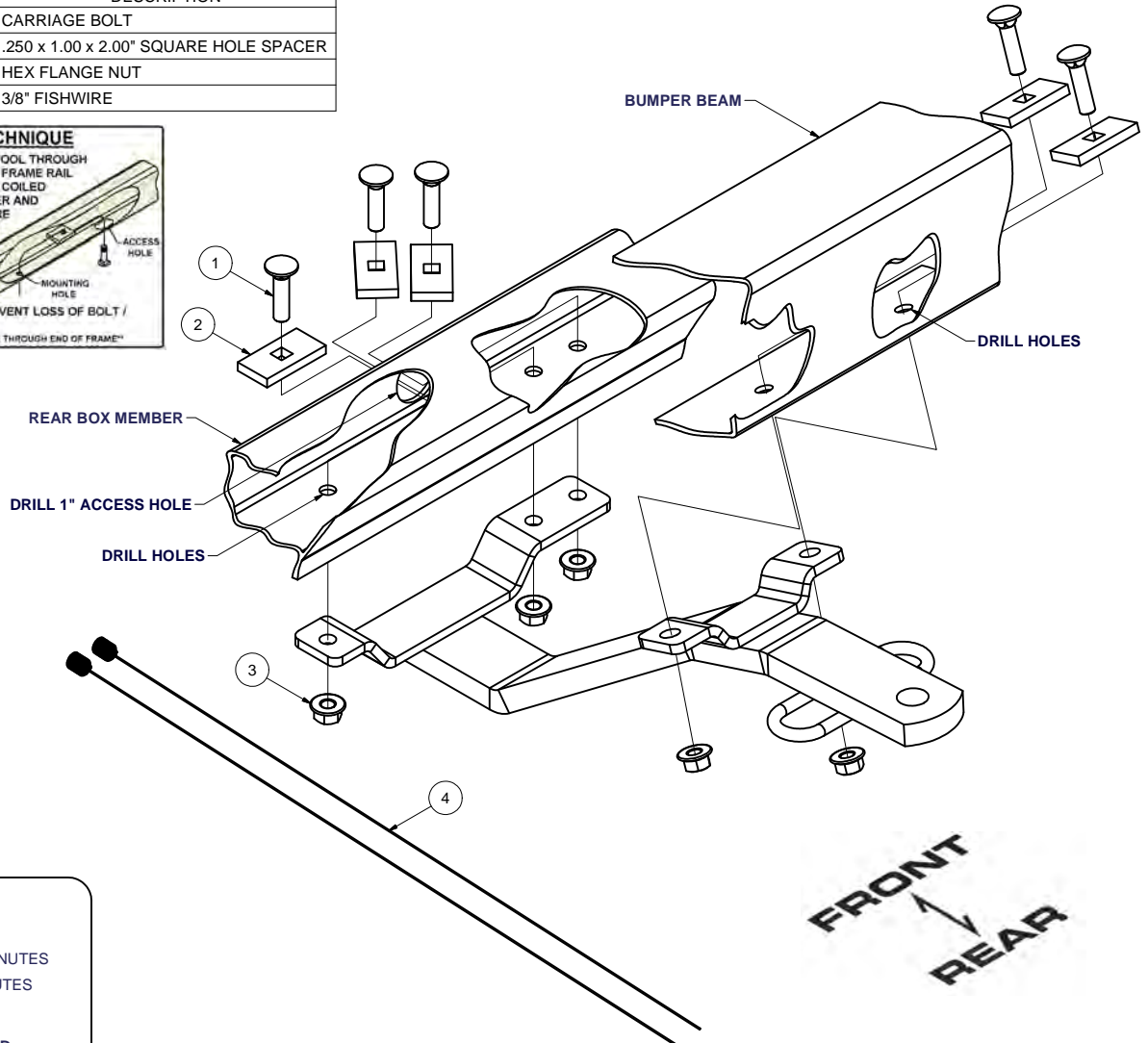
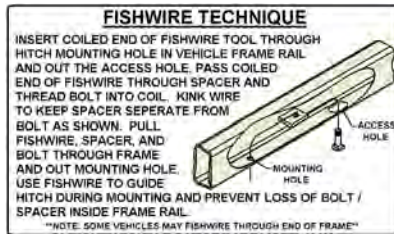
DO NOT EXCEED VEHICLE MANUFACTURER'S RECOMMENDED TOWING CAPACITY.

WARNING: ALL NON-TRAILER LOADS APPLIED TO THIS PRODUCT MUST BE SUPPORTED BY 18050 STABILIZING STRAPS.

** FAILURE TO PROPERLY SUPPORT NON-TRAILER LOADS WILL VOID PRODUCT WARRANTY**

HAVING INSTALLATION QUESTIONS? CALL TECHNICAL SUPPORT AT 1-800-798-0813

Parts List			
ITEM	QTY	PART NUMBER	DESCRIPTION
1	5	3/8-16 x 1 1/2	CARRIAGE BOLT
2	5	CM-SP18	.250 x 1.00 x 2.00" SQUARE HOLE SPACER
3	5	HFN3816	HEX FLANGE NUT
4	2	3_8 FISHWIRE	3/8" FISHWIRE

HITCH WEIGHT: 9 LBS.INSTALL TIMEPROFESSIONAL: 45 MINUTESNOVICE (DIY): 90 MINUTESINSTALL NOTES:

- DRILLING REQUIRED
- FISHWIRE HARDWARE

INSTALLATION STEPS

1. Locate and mark the center line of the rear bumper.
2. Position the hitch against the rear bumper and the box member as shown, centered and square with the vehicle. Check for sufficient ball/bumper clearance for the trailer hook-up. Use the hitch as a template to mark and drill the bumper (3) places and the bumper (2) places for 3/8" fasteners as shown.
3. Make a 1" or larger access hole in the rear box member and fishwire (4) carriage bolts and spacers into the box member. Position the hitch over the bolts and fasten in place using hex flange nuts as shown.
4. Torque all 3/8" fasteners to 45 lb-ft.

PERIODICALLY CHECK THIS RECEIVER HITCH TO ENSURE THAT ALL FASTENERS ARE TIGHT AND THAT ALL STRUCTURAL COMPONENTS ARE SOUND.

Curt Manufacturing Inc., warrants this product to be free of defects in material and/or workmanship at the time of retail purchase by the original purchaser. If the product is found to be defective, Curt Manufacturing Inc., may repair or replace the product, at their option, when the product is returned, prepaid, with proof of purchase. Alteration to, misuse of, or improper installation of this product voids the warranty. Curt Manufacturing Inc.'s liability is limited to repair or replacement of products found to be defective, and specifically excludes liability for incidental or consequential loss or damage.