

11667**94-99 DODGE AND PLYMOUTH NEON**

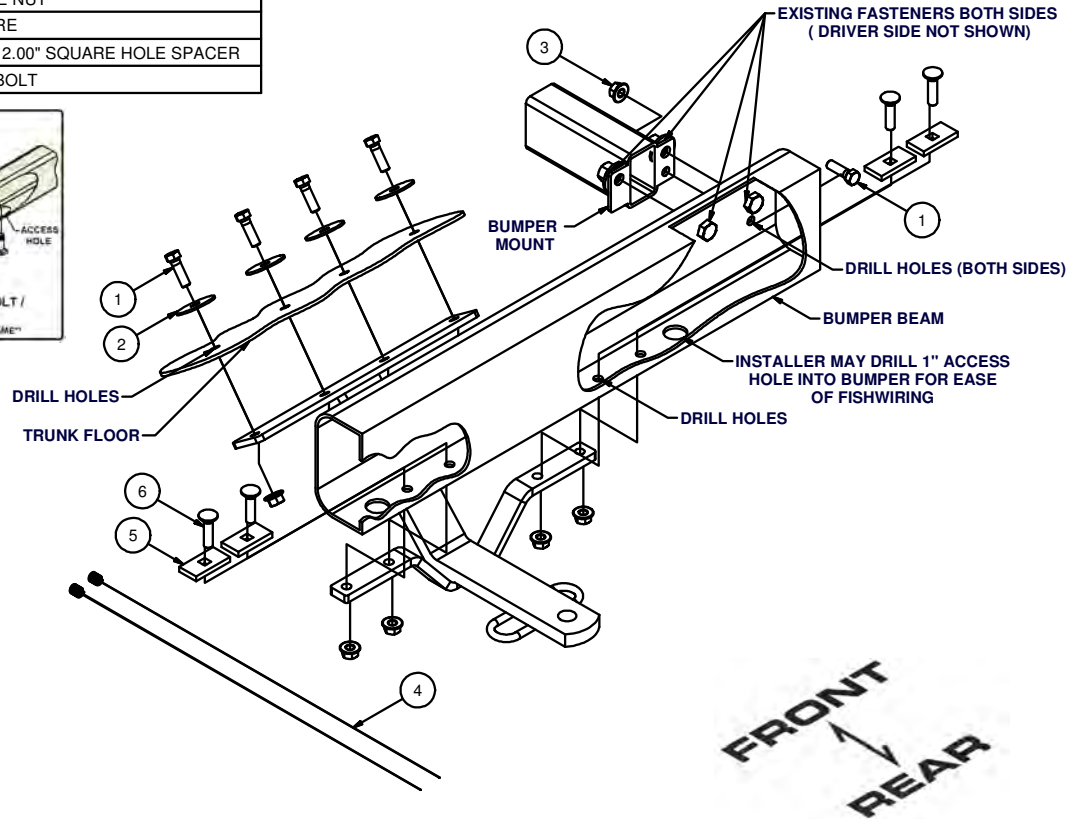
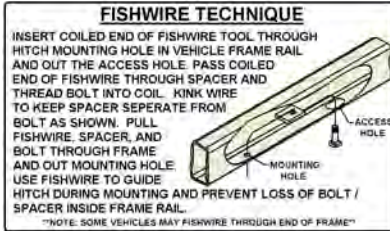
11/30/2012

GROSS LOAD CAPACITY WHEN USED AS A WEIGHT CARRYING HITCH: 2,000 LBS. TRAILER WEIGHT & 200 LBS. TONGUE WEIGHT.

*****DO NOT EXCEED VEHICLE MANUFACTURER'S RECOMMENDED TOWING CAPACITY.*******WARNING: ALL NON-TRAILER LOADS APPLIED TO THIS PRODUCT MUST BE SUPPORTED BY 18050 STABILIZING STRAPS.****** FAILURE TO PROPERLY SUPPORT NON-TRAILER LOADS WILL VOID PRODUCT WARRANTY****

HAVING INSTALLATION QUESTIONS? CALL TECHNICAL SUPPORT AT 1-800-798-0813

Parts List			
ITEM	QTY	PART NUMBER	DESCRIPTION
1	6	3/8 - 16 x 1 1/4	HEX BOLT
2	4	3/8"	FENDER WASHER
3	10	HFN3816	HEX FLANGE NUT
4	2	3_8 FISHWIRE	3/8" FISHWIRE
5	4	CM-SP18	.250 x 1.00 x 2.00" SQUARE HOLE SPACER
6	4	3/8-16 x 1 1/2	CARRIAGE BOLT



HITCH WEIGHT: 11 LBS.

INSTALL TIME

PROFESSIONAL: 40 MINUTES

NOVICE (DIY): 80 MINUTES

INSTALL NOTES:

- CLEAR TRUNK
- DRILLING REQUIRED
- SILICONE SEAL HARDWARE

INSTALLATION STEPS

1. This hitch mounts to the bottom of the bumper beam and to the rearward section of the trunk pan. Clear trunk of contents.
2. Remove plastic snaps holding bumper fascia to bumper. Lift hitch into position and align it with vehicle's centerline. Using hitch as a template, drill bumper beam for 3/8" fasteners and fishwire fasteners as shown. Fishwire access is from ends of bumper or installer drilled 1" access holes.
3. Making sure hitch is square and level, use hitch as a template and drill trunk floor for 3/8" fasteners and install fasteners as shown.
4. Drill bumper mounts for 3/8" fasteners as shown, on outside ears of driver and passenger side frame rails. Install fasteners as shown.
5. Torque all 3/8" fasteners to 45 lb-ft.
6. Silicone seal hardware installed through trunk floor.
7. Reinstall contents removed from trunk in Step 1.

PERIODICALLY CHECK THIS RECEIVER HITCH TO ENSURE THAT ALL FASTENERS ARE TIGHT AND THAT ALL STRUCTURAL COMPONENTS ARE SOUND.

Curt Manufacturing Inc., warrants this product to be free of defects in material and/or workmanship at the time of retail purchase by the original purchaser. If the product is found to be defective, Curt Manufacturing Inc., may repair or replace the product, at their option, when the product is returned, prepaid, with proof of purchase. Alteration to, misuse of, or improper installation of this product voids the warranty. Curt Manufacturing Inc.'s liability is limited to repair or replacement of products found to be defective, and specifically excludes liability for incidental or consequential loss or damage.