

11679

KIA SPECTRA SEDAN

10/1/2012

GROSS LOAD CAPACITY WHEN USED AS A WEIGHT CARRYING HITCH: 2,000 LBS. TRAILER WEIGHT & 200 LBS. TONGUE WEIGHT.

DO NOT EXCEED VEHICLE MANUFACTURER'S RECOMMENDED TOWING CAPACITY.

WARNING: ALL NON-TRAILER LOADS APPLIED TO THIS PRODUCT MUST BE SUPPORTED BY AUXILIARY STABILIZING STRAPS.

** FAILURE TO PROPERLY SUPPORT NON-TRAILER LOADS WILL VOID PRODUCT WARRANTY**

HAVING INSTALLATION QUESTIONS? CALL TECHNICAL SUPPORT AT 1-800-798-0813

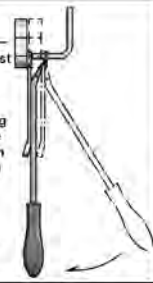
Parts List				
ITEM	QTY	PART NUMBER	DESCRIPTION	
1	3	M10 - 1.25 x 40 HEX	HEX BOLT	
2	3	7/16"	CONICAL TOOTHED WASHER	
3	1	CM-SP4	.250 x 1.50 x 3.00" SQUARE HOLE SPACER	
4	1	1/2-13 x 1 3/4	CARRIAGE BOLT	
5	1	HFN 1213	HEX FLANGE NUT	

**RUBBER ISOLATOR
REMOVAL DIAGRAM**

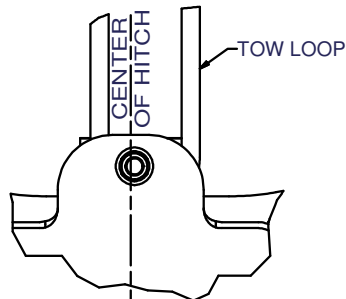
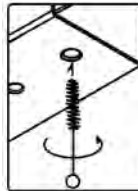
This technique can be used if and Exhaust Hanger Removal Pliers is not available.

Using a 5/8" open end wrench, slide the wrench up to the rubber isolator, cradling the hanger rod as shown. Next place the flat edge of a pry bar between the wrench and the hanger stop or hanger rod. Then simply rotate the pry bar toward the wrench to remove the rubber isolator.

Note: Using a spray lubricant or soapy water on the hanger rod and the rubber isolator helps removal.

**WELDNUT CLEANING**

To remove debris from weldnuts in frame, spray lubricant or compressed air into hole. For heavy debris, use a small wire brush. (Be careful not to damage threads).



TOW LOOP MAY BE OFFSET FROM CENTER OF HITCH

HITCH WEIGHT: 25 LBS.

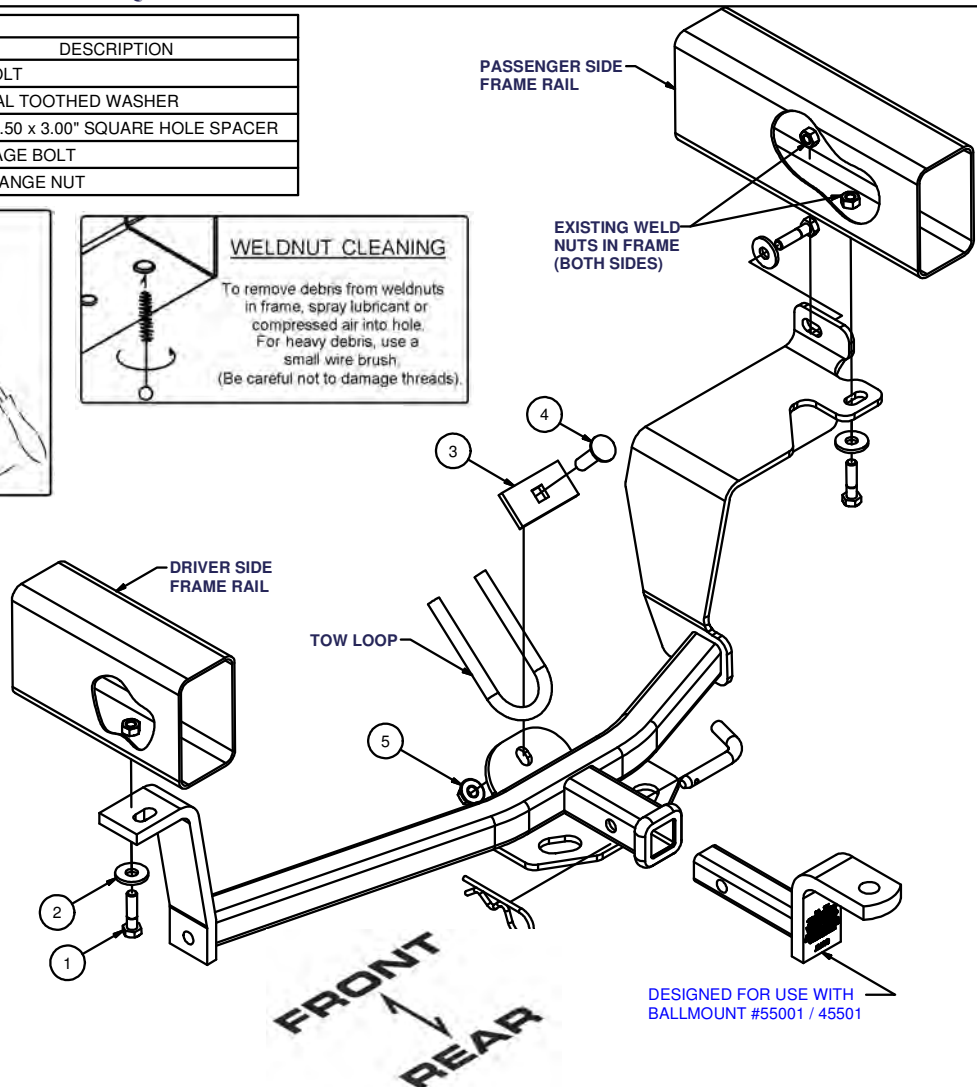
INSTALL TIME

PROFESSIONAL: 30 MINUTES

NOVICE (DIY): 60 MINUTES

INSTALL NOTES:

- LOWER EXHAUST
- NO DRILLING REQUIRED

**INSTALLATION STEPS**

1. Detach the (3) rubber exhaust hangers to lower the exhaust.
2. Remove (3) M10 bolts (2 on the passenger side), which go through the frame and into the bumper bracket. Return bolts to the vehicle owner.
3. Raise the hitch into position, passenger side first. Install the 1/2 carriage bolt, spacer, and flange nut as shown using the vehicle tow loop.
4. Install supplied M10 bolts into existing weldnuts finger tight.
5. Torque all M10 fasteners to 48 lb-ft and all 1/2" fasteners to 110 lb-ft.
6. Reattach rubber exhaust hangers removed in step 1.

PERIODICALLY CHECK THIS RECEIVER HITCH TO ENSURE THAT ALL FASTENERS ARE TIGHT AND THAT ALL STRUCTURAL COMPONENTS ARE SOUND.

Curt Manufacturing Inc., warrants this product to be free of defects in material and/or workmanship at the time of retail purchase by the original purchaser. If the product is found to be defective, Curt Manufacturing Inc., may repair or replace the product, at their option, when the product is returned, prepaid, with proof of purchase. Alteration to, misuse of, or improper installation of this product voids the warranty. Curt Manufacturing Inc.'s liability is limited to repair or replacement of products found to be defective, and specifically excludes liability for incidental or consequential loss or damage.

24745 / 247679