

11707

91-96 INFINITI G20 SEDAN

12/10/2012

GROSS LOAD CAPACITY WHEN USED AS A WEIGHT CARRYING HITCH: 2,000 LBS. TRAILER WEIGHT & 200 LBS. TONGUE WEIGHT.

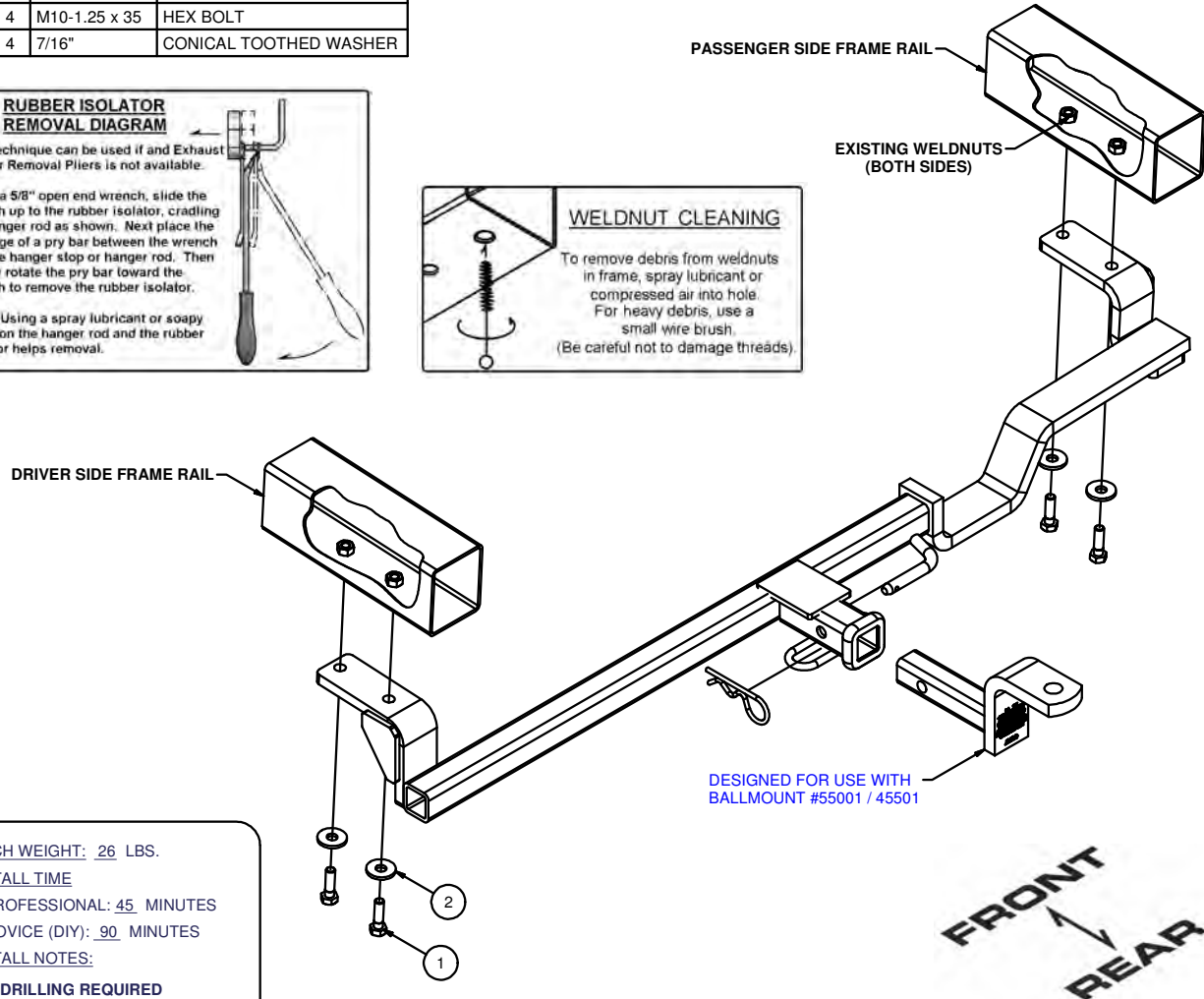
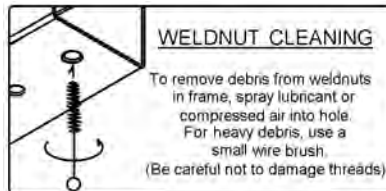
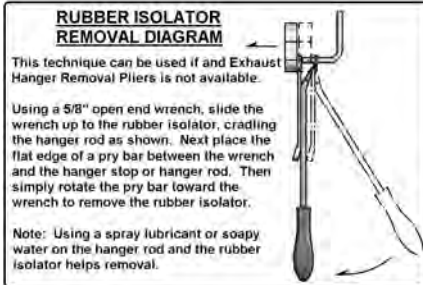
*****DO NOT EXCEED VEHICLE MANUFACTURER'S RECOMMENDED TOWING CAPACITY.*****

WARNING: ALL NON-TRAILER LOADS APPLIED TO THIS PRODUCT MUST BE SUPPORTED BY 18050 STABILIZING STRAPS.

**** FAILURE TO PROPERLY SUPPORT NON-TRAILER LOADS WILL VOID PRODUCT WARRANTY****

HAVING INSTALLATION QUESTIONS? CALL TECHNICAL SUPPORT AT 1-800-798-0813

Parts List			
ITEM	QTY	PART NUMBER	DESCRIPTION
1	4	M10-1.25 x 35	HEX BOLT
2	4	7/16"	CONICAL TOOTHED WASHER



HITCH WEIGHT: 26 LBS.

INSTALL TIME

PROFESSIONAL: 45 MINUTES

NOVICE (DIY): 90 MINUTES

INSTALL NOTES:

NO DRILLING REQUIRED
 FACIA TRIMMING MAYBE REQUIRED
 LOWER EXHAUST

INSTALLATION STEPS

1. Under the rear of the vehicle, locate the driver and passenger side frame rails. The driver's side frame rail includes a bolted on tie down bracket. Remove the bracket and return to the vehicle's owner for reinstallation should the hitch ever be removed.
2. Remove the rear exhaust hanger (passenger side) temporarily for mounting clearance. Place hitch up to the bottom of the frame rails at the weldnuts. Trim bumper fascia material at hitch brackets if necessary.
3. Using fasteners as shown, mount the hitch to the frame rails. Be certain to use conical washers so the dish side is toward the hitch.
4. Torque all 10mm fasteners to 48 lb-ft.
5. Reinstall exhaust.

PERIODICALLY CHECK THIS RECEIVER HITCH TO ENSURE THAT ALL FASTENERS ARE TIGHT AND THAT ALL STRUCTURAL COMPONENTS ARE SOUND.

Curt Manufacturing Inc., warrants this product to be free of defects in material and/or workmanship at the time of retail purchase by the original purchaser. If the product is found to be defective, Curt Manufacturing Inc., may repair or replace the product, at their option, when the product is returned, prepaid, with proof of purchase. Alteration to, misuse of, or improper installation of this product voids the warranty. Curt Manufacturing Inc.'s liability is limited to repair or replacement of products found to be defective, and specifically excludes liability for incidental or consequential loss or damage.