

11710

91-99 MITSUBISHI 3000GT

12/5/2012

GROSS LOAD CAPACITY WHEN USED AS A WEIGHT CARRYING HITCH: 2,000 LBS. TRAILER WEIGHT & 200 LBS. TONGUE WEIGHT.

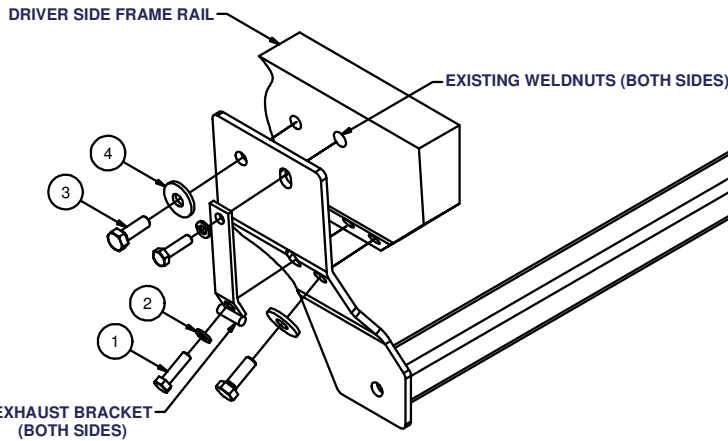
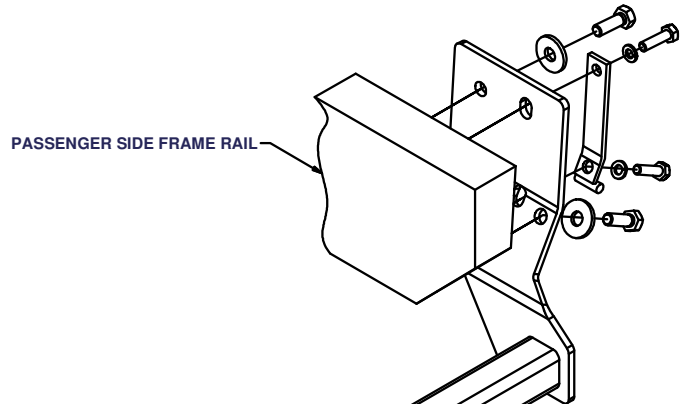
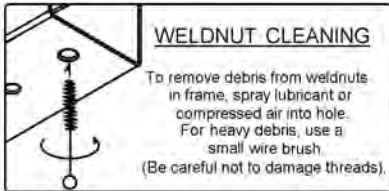
DO NOT EXCEED VEHICLE MANUFACTURER'S RECOMMENDED TOWING CAPACITY.

WARNING: ALL NON-TRAILER LOADS APPLIED TO THIS PRODUCT MUST BE SUPPORTED BY AUXILIARY STABILIZING STRAPS.

** FAILURE TO PROPERLY SUPPORT NON-TRAILER LOADS WILL VOID PRODUCT WARRANTY**

HAVING INSTALLATION QUESTIONS? CALL TECHNICAL SUPPORT AT 1-800-798-0813

| Parts List | | | |
|------------|-----|-------------------------|------------------------|
| ITEM | QTY | PART NUMBER | DESCRIPTION |
| 1 | 4 | M8 - 1.25 x 30 HEX BOLT | HEX HEAD BOLT |
| 2 | 4 | 5/16" | LOCK WASHER |
| 3 | 4 | M10 - 1.25 x 30 | HEX BOLT |
| 4 | 4 | 7/16" | CONICAL TOOTHED WASHER |



DESIGNED FOR USE WITH BALLMOUNT #55001 / 45501



HITCH WEIGHT: 25 LBS.
 INSTALL TIME
 PROFESSIONAL: 15 MINUTES
 NOVICE (DIY): 30 MINUTES
 INSTALL NOTES:
 -NO DRILLING REQUIRED
 -LOWER EXHAUST

INSTALLATION STEPS

1. Under the driver's side rear of car, locate and unbolt two 8mm screws holding the rear-most exhaust support bracket to the chassis. Vehicles with dual exhaust, also remove on passenger side. Note: For Mitsubishi 3000GT, remove left and right tie down brackets (large plate with slotted hole) at same location on car. These brackets are fastened to chassis with two 10mm screws each.
2. Lift hitch into position on car with hitch side brackets fitting in area where car's exhaust brackets were previously removed. Install 10mm fasteners as shown. Install bumper brackets and hardware as shown.
3. Torque all 8mm hardware to 23 lb.-ft. and all 10mm hardware to 48 lb.-ft.

PERIODICALLY CHECK THIS RECEIVER HITCH TO ENSURE THAT ALL FASTENERS ARE TIGHT AND THAT ALL STRUCTURAL COMPONENTS ARE SOUND.

Curt Manufacturing Inc., warrants this product to be free of defects in material and/or workmanship at the time of retail purchase by the original purchaser. If the product is found to be defective, Curt Manufacturing Inc., may repair or replace the product, at their option, when the product is returned, prepaid, with proof of purchase. Alteration to, misuse of, or improper installation of this product voids the warranty. Curt Manufacturing Inc.'s liability is limited to repair or replacement of products found to be defective, and specifically excludes liability for incidental or consequential loss or damage.