

11715

91-92 VOLKSWAGEN JETTA

12/7/2012

GROSS LOAD CAPACITY WHEN USED AS A WEIGHT CARRYING HITCH: 2,000 LBS. TRAILER WEIGHT & 200 LBS. TONGUE WEIGHT.


\*\*\*DO NOT EXCEED VEHICLE MANUFACTURER'S RECOMMENDED TOWING CAPACITY.\*\*\*

WARNING: ALL NON-TRAILER LOADS APPLIED TO THIS PRODUCT MUST BE SUPPORTED BY AUXILIARY STABILIZING STRAPS.

\*\* FAILURE TO PROPERLY SUPPORT NON-TRAILER LOADS WILL VOID PRODUCT WARRANTY\*\*

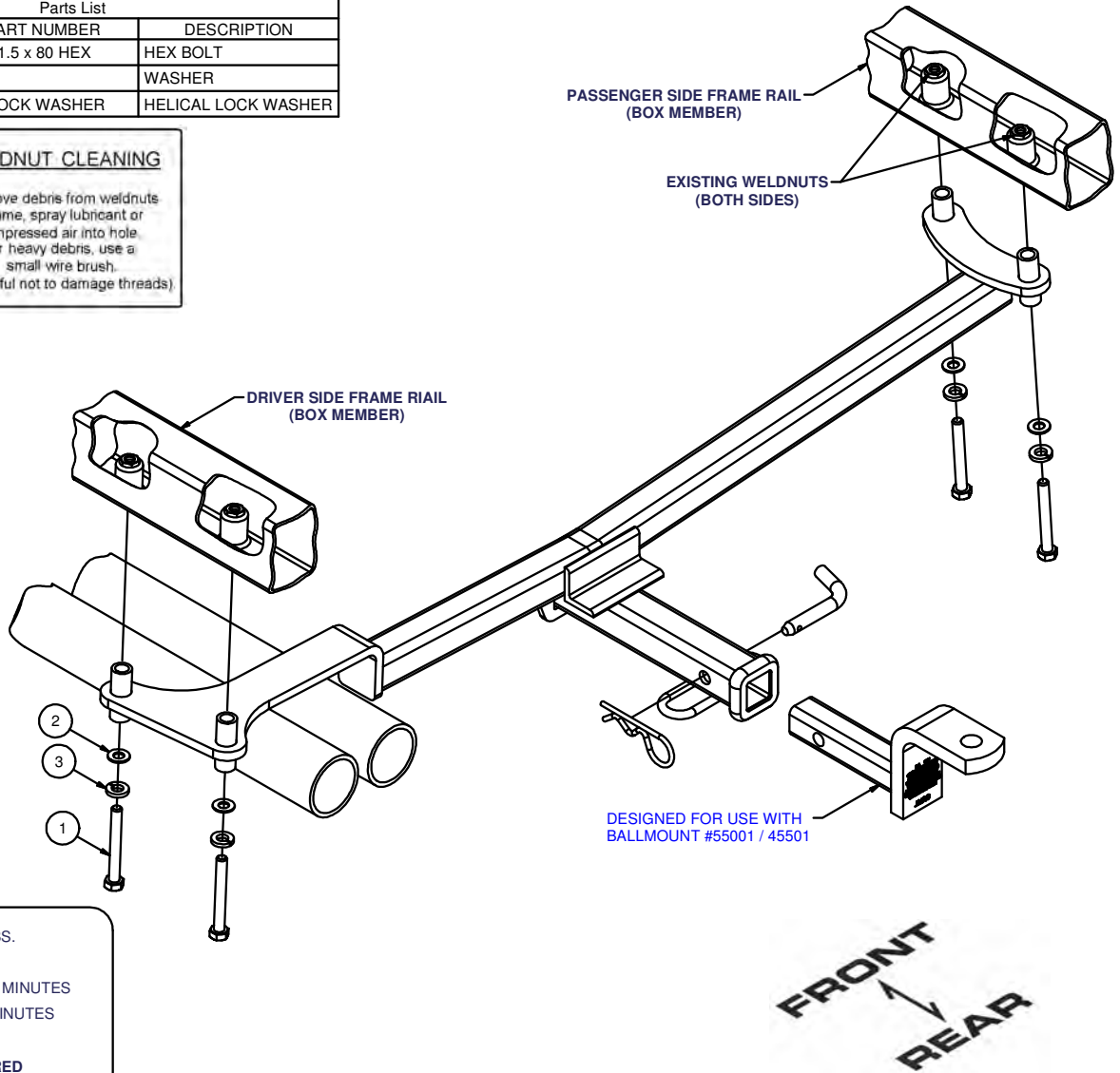
HAVING INSTALLATION QUESTIONS? CALL TECHNICAL SUPPORT AT 1-800-798-0813

Parts List			
ITEM	QTY	PART NUMBER	DESCRIPTION
1	4	M10 - 1.5 x 80 HEX	HEX BOLT
2	4	3/8"	WASHER
3	4	7/16 LOCK WASHER	HELICAL LOCK WASHER



**WELDNUT CLEANING**

To remove debris from weldnuts in frame, spray lubricant or compressed air into hole. For heavy debris, use a small wire brush. (Be careful not to damage threads)



HITCH WEIGHT: 21 LBS.  
 INSTALL TIME  
 PROFESSIONAL: 20 MINUTES  
 NOVICE (DIY): 40 MINUTES  
 INSTALL NOTES:  
 - NO DRILLING REQUIRED  
 - LOWER EXHAUST

**INSTALLATION STEPS**

1. Under the rear of the car, locate the frame rails (box members) at the left and right side of the car with two recessed 10mm bolts in each one. Remove both bumper screws in each frame rail; the hitch will bolt at these points.
2. Position the hitch on the car as shown. Work the hitch above the exhaust system on the driver's side. Disconnect the rear exhaust hangers temporarily if necessary. Using fasteners provided with the hitch, mount the hitch at these points securing the hitch and the bumper to the car chassis. Be certain to use washers as shown in the diagram.
3. Torque all 10mm fasteners to 45 lb-ft.

**PERIODICALLY CHECK THIS RECEIVER HITCH TO ENSURE THAT ALL FASTENERS ARE TIGHT AND THAT ALL STRUCTURAL COMPONENTS ARE SOUND.**

Curt Manufacturing Inc., warrants this product to be free of defects in material and/or workmanship at the time of retail purchase by the original purchaser. If the product is found to be defective, Curt Manufacturing Inc., may repair or replace the product, at their option, when the product is returned, prepaid, with proof of purchase. Alteration to, misuse of, or improper installation of this product voids the warranty. Curt Manufacturing Inc.'s liability is limited to repair or replacement of products found to be defective, and specifically excludes liability for incidental or consequential loss or damage.