

11722

## 85-90 VOLKSWAGEN JETTA

12/10/2012

GROSS LOAD CAPACITY WHEN USED AS A WEIGHT CARRYING HITCH: 2,000 LBS. TRAILER WEIGHT &amp; 200 LBS. TONGUE WEIGHT.

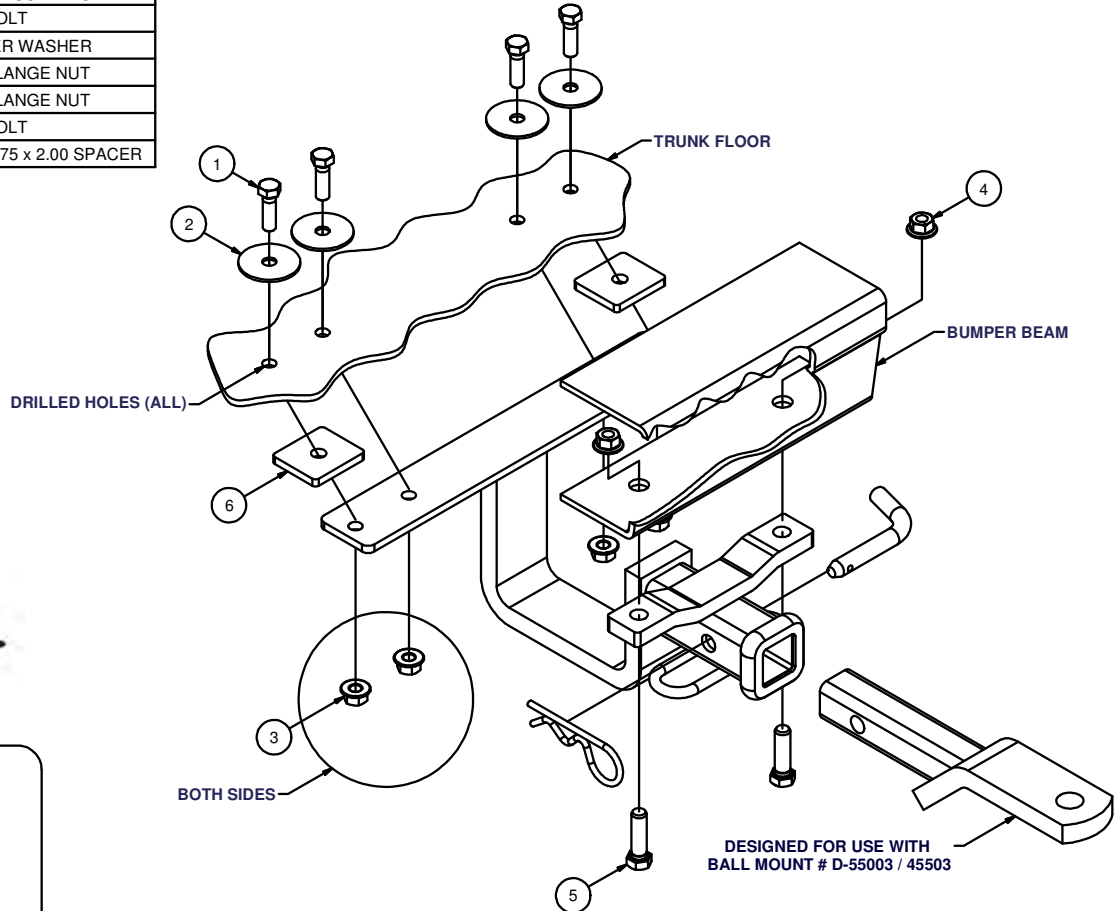
**\*\*\*DO NOT EXCEED VEHICLE MANUFACTURER'S RECOMMENDED TOWING CAPACITY.\*\*\***

WARNING: ALL NON-TRAILER LOADS APPLIED TO THIS PRODUCT MUST BE SUPPORTED BY 18050 STABILIZING STRAPS.

**\*\* FAILURE TO PROPERLY SUPPORT NON-TRAILER LOADS WILL VOID PRODUCT WARRANTY\*\***

HAVING INSTALLATION QUESTIONS? CALL TECHNICAL SUPPORT AT 1-800-798-0813

| Parts List |     |                  |                          |
|------------|-----|------------------|--------------------------|
| ITEM       | QTY | PART NUMBER      | DESCRIPTION              |
| 1          | 4   | 3/8 - 16 x 1 1/4 | HEX BOLT                 |
| 2          | 4   | 3/8"             | FENDER WASHER            |
| 3          | 4   | HFN3816          | HEX FLANGE NUT           |
| 4          | 2   | 7/16-14          | HEX FLANGE NUT           |
| 5          | 2   | 7/16-14 x 1 1/2  | HEX BOLT                 |
| 6          | 2   | CM-SP102         | .25 x 1.75 x 2.00 SPACER |



HITCH WEIGHT: 14 LBS.

INSTALL TIME

PROFESSIONAL: 30 MINUTES

NOVICE (DIY): 60 MINUTES

INSTALL NOTES:

- CLEAR CONTENTS
- TRIM FASCIA
- DRILLING REQUIRED
- SILICONE SEAL HARDWARE

**INSTALLATION STEPS**

1. Clear trunk of all contents. Position the hitch against the vehicle's trunk floor and bumper as shown, centered and square with the vehicle. Remove any plastic material where hitch bracket contacts bumper. Hitch must fit directly against metal bumper beam.
2. Use the hitch as a template to mark the mounting holes, (4) places in trunk floor and (2) places in bumper beam. Centerpunch and drill holes in trunk floor for 3/8" diameter hardware. Drill bumper (2) places for 7/16" diameter hardware.
3. Mount the hitch using fasteners as shown. Note that the fender washers are placed inside the trunk opposite the hitch. Use CM-SP102 spacers at corrugated floor.
4. Torque all 3/8" fasteners to 45 lb-ft. and all 7/16" fasteners to 70 lb-ft.
5. Use silicone sealant to seal hardware installed through trunk floor.
6. Reinstall contents removed from trunk in Step 1.

**PERIODICALLY CHECK THIS RECEIVER HITCH TO ENSURE THAT ALL FASTENERS ARE TIGHT AND THAT ALL STRUCTURAL COMPONENTS ARE SOUND.**

Curt Manufacturing Inc., warrants this product to be free of defects in material and/or workmanship at the time of retail purchase by the original purchaser. If the product is found to be defective, Curt Manufacturing Inc., may repair or replace the product, at their option, when the product is returned, prepaid, with proof of purchase. Alteration to, misuse of, or improper installation of this product voids the warranty. Curt Manufacturing Inc.'s liability is limited to repair or replacement of products found to be defective, and specifically excludes liability for incidental or consequential loss or damage.