

11724

93-97 HONDA CIVIC DEL SOL

11/12/2012

GROSS LOAD CAPACITY WHEN USED AS A WEIGHT CARRYING HITCH: 1,500 LBS. TRAILER WEIGHT & 150 LBS. TONGUE WEIGHT.

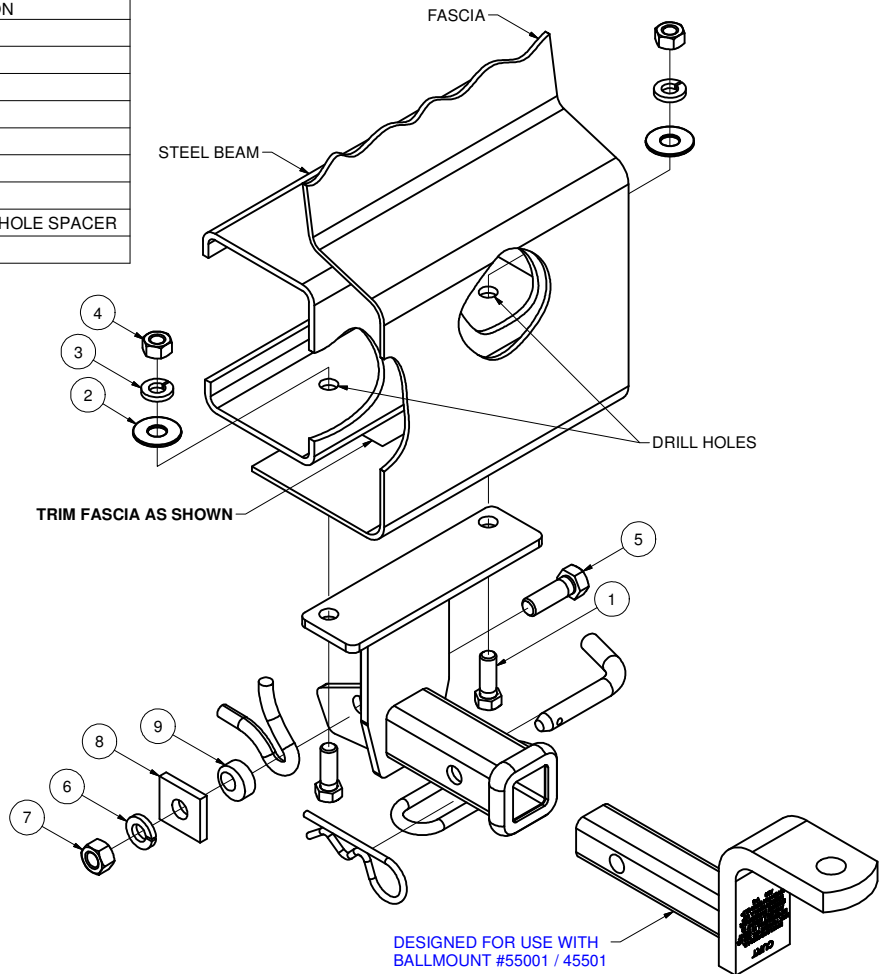
*****DO NOT EXCEED VEHICLE MANUFACTURER'S RECOMMENDED TOWING CAPACITY.*****

WARNING: ALL NON-TRAILER LOADS APPLIED TO THIS PRODUCT MUST BE SUPPORTED BY 18050 STABILIZING STRAPS.

**** FAILURE TO PROPERLY SUPPORT NON-TRAILER LOADS WILL VOID PRODUCT WARRANTY****

HAVING INSTALLATION QUESTIONS? CALL TECHNICAL SUPPORT AT 1-800-798-0813

		Parts List	
ITEM	QTY	PART NUMBER	DESCRIPTION
1	2	7/16-14 x 1 1/4	HEX BOLT
2	2	7/16 WASHER	WASHER
3	2	7/16 LOCK WASHER	HELICAL LOCK WASHER
4	2	7/16-14	HEX NUT
5	1	1/2 - 13 x 1 1/2	HEX BOLT
6	1	1/2"	LOCK WASHER
7	1	1/2-13	HEX NUT
8	1	CM-SP25	.250 x 1.38 x 1.50" ROUND HOLE SPACER
9	1	CM-SP110	.375" SPACER



HITCH WEIGHT: 8 LBS.

INSTALL TIME

PROFESSIONAL: 45 MINUTES

NOVICE (DIY): 90 MINUTES

INSTALL NOTES:

- DRILLING REQUIRED
- FASCIA TRIMMING REQUIRED
- TEMPORARILY REMOVE FASCIA

INSTALLATION STEPS

1. This hitch will bolt to the bottom of the steel reinforcement beam inside the vehicle's rear bumper, and to the vehicle's tow loop.
2. Before the hitch can be fitted, temporarily remove two bolts fastening the bottom of the bumper fascia to the body. Remove a 2 1/2 x 3 1/2 section of bumper fascia for hitch clearance as shown.
3. Hold the hitch in position on the vehicle at the tow loop and bottom of the bumper beam. Mount the hitch at the tow loop using fasteners as shown. Using the hitch as a template, drill the bumper for 7/16" diameter fasteners.
4. Fasten the hitch at the bumper beam using fasteners as shown.
5. Torque all 1/2" fasteners to 110 lb-ft, and all 7/16" fasteners to 70 lb-ft.
6. Reinstall bumper fascia removed in Step 2.

PERIODICALLY CHECK THIS RECEIVER HITCH TO ENSURE THAT ALL FASTENERS ARE TIGHT AND THAT ALL STRUCTURAL COMPONENTS ARE SOUND.

Curt Manufacturing Inc., warrants this product to be free of defects in material and/or workmanship at the time of retail purchase by the original purchaser. If the product is found to be defective, Curt Manufacturing Inc., may repair or replace the product, at their option, when the product is returned, prepaid, with proof of purchase. Alteration to, misuse of, or improper installation of this product voids the warranty. Curt Manufacturing Inc.'s liability is limited to repair or replacement of products found to be defective, and specifically excludes liability for incidental or consequential loss or damage.