

11754

99-02 SAAB 9-3, 3 AND 5 DOOR HATCHBACK

11/19/2012

GROSS LOAD CAPACITY WHEN USED AS A WEIGHT CARRYING HITCH: 2,000 LBS. TRAILER WEIGHT & 200 LBS. TONGUE WEIGHT.

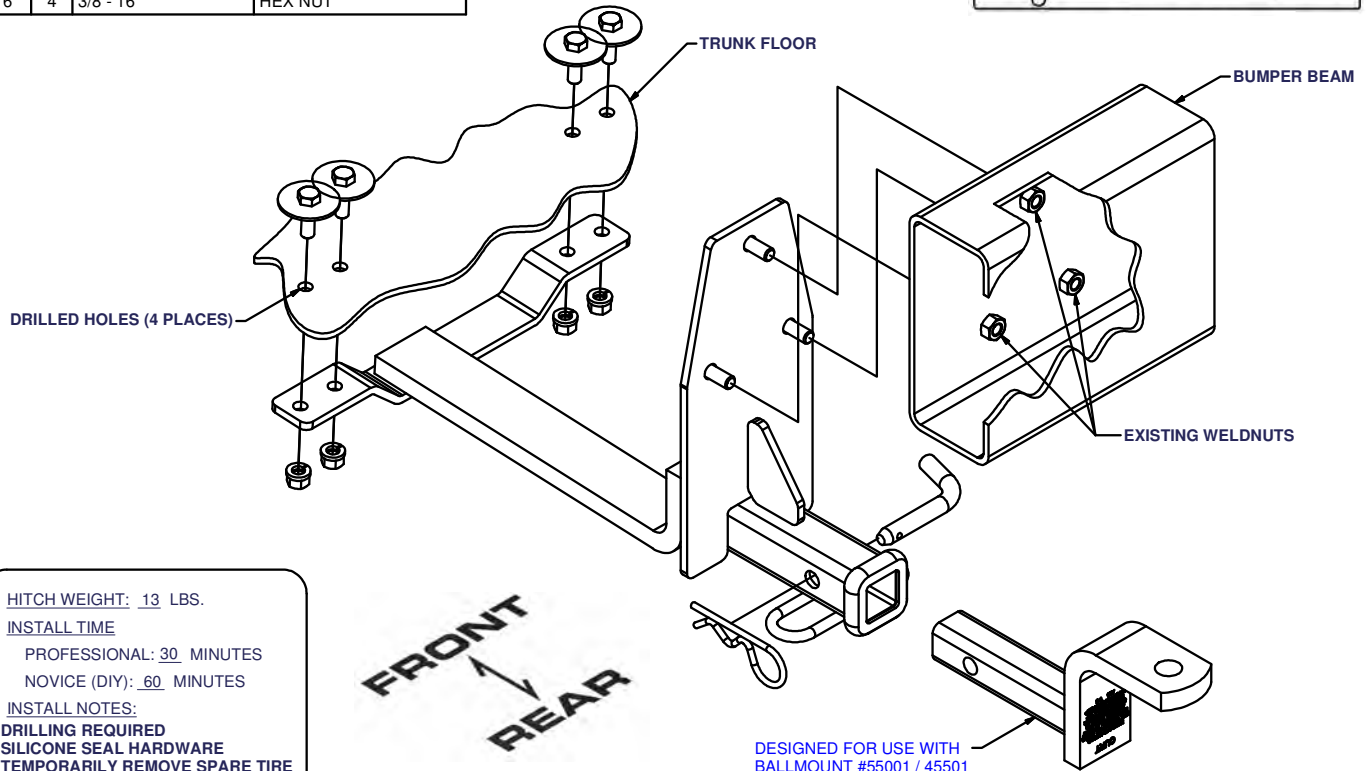
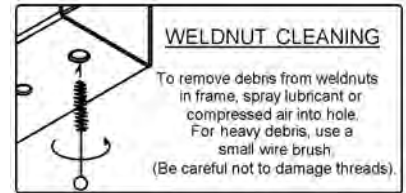
*****DO NOT EXCEED VEHICLE MANUFACTURER'S RECOMMENDED TOWING CAPACITY.*****

WARNING: ALL NON-TRAILER LOADS APPLIED TO THIS PRODUCT MUST BE SUPPORTED BY 18050 STABILIZING STRAPS.

**** FAILURE TO PROPERLY SUPPORT NON-TRAILER LOADS WILL VOID PRODUCT WARRANTY****

HAVING INSTALLATION QUESTIONS? CALL TECHNICAL SUPPORT AT 1-800-798-0813

Parts List			
ITEM	QTY	PART NUMBER	DESCRIPTION
1	3	M10 - 1.5 x 30 HEX	HEX BOLT
2	3	7/16 LOCK WASHER	HELICAL LOCK WASHER
3	4	3/8 - 16 x 1 1/4	HEX BOLT
4	4	3/8"	FENDER WASHER
5	4	3/8"	LOCK WASHER
6	4	3/8 - 16	HEX NUT



HITCH WEIGHT: 13 LBS.

INSTALL TIME

PROFESSIONAL: 30 MINUTES

NOVICE (DIY): 60 MINUTES

INSTALL NOTES:

- DRILLING REQUIRED
- SILICONE SEAL HARDWARE
- TEMPORARILY REMOVE SPARE TIRE

INSTALLATION STEPS

1. This hitch mounts to existing weldnuts in forward surface of bumper beam and to drilled holes in bottom of spare tire well. Temporarily remove spare tire and other contents from spare tire well.
2. Locate (3) weldnuts in forward surface of bumper beam.
NOTE: Some weldnuts may have bolts already installed. Remove and discard these bolts.
3. Lift hitch into position and loosely install fasteners into weldnuts as shown.
4. Using hitch as template, drill holes for fasteners in bottom surface of spare tire well. Install fasteners as shown.
NOTE: Large fender washers go on inside of spare tire well.
5. Torque all 3/8" fasteners to 45 lb-ft.
6. Use silicone sealant to seal hardware install through spare tire well.
7. Reinstall spare tire and other contents removed in Step 1.

PERIODICALLY CHECK THIS RECEIVER HITCH TO ENSURE THAT ALL FASTENERS ARE TIGHT AND THAT ALL STRUCTURAL COMPONENTS ARE SOUND.

Curt Manufacturing Inc., warrants this product to be free of defects in material and/or workmanship at the time of retail purchase by the original purchaser. If the product is found to be defective, Curt Manufacturing Inc., may repair or replace the product, at their option, when the product is returned, prepaid, with proof of purchase. Alteration to, misuse of, or improper installation of this product voids the warranty. Curt Manufacturing Inc.'s liability is limited to repair or replacement of products found to be defective, and specifically excludes liability for incidental or consequential loss or damage.