

11768

02-06 HONDA CRV

10/5/2012

GROSS LOAD CAPACITY WHEN USED AS A WEIGHT CARRYING HITCH: 2,000 LBS. TRAILER WEIGHT &amp; 200 LBS. TONGUE WEIGHT.

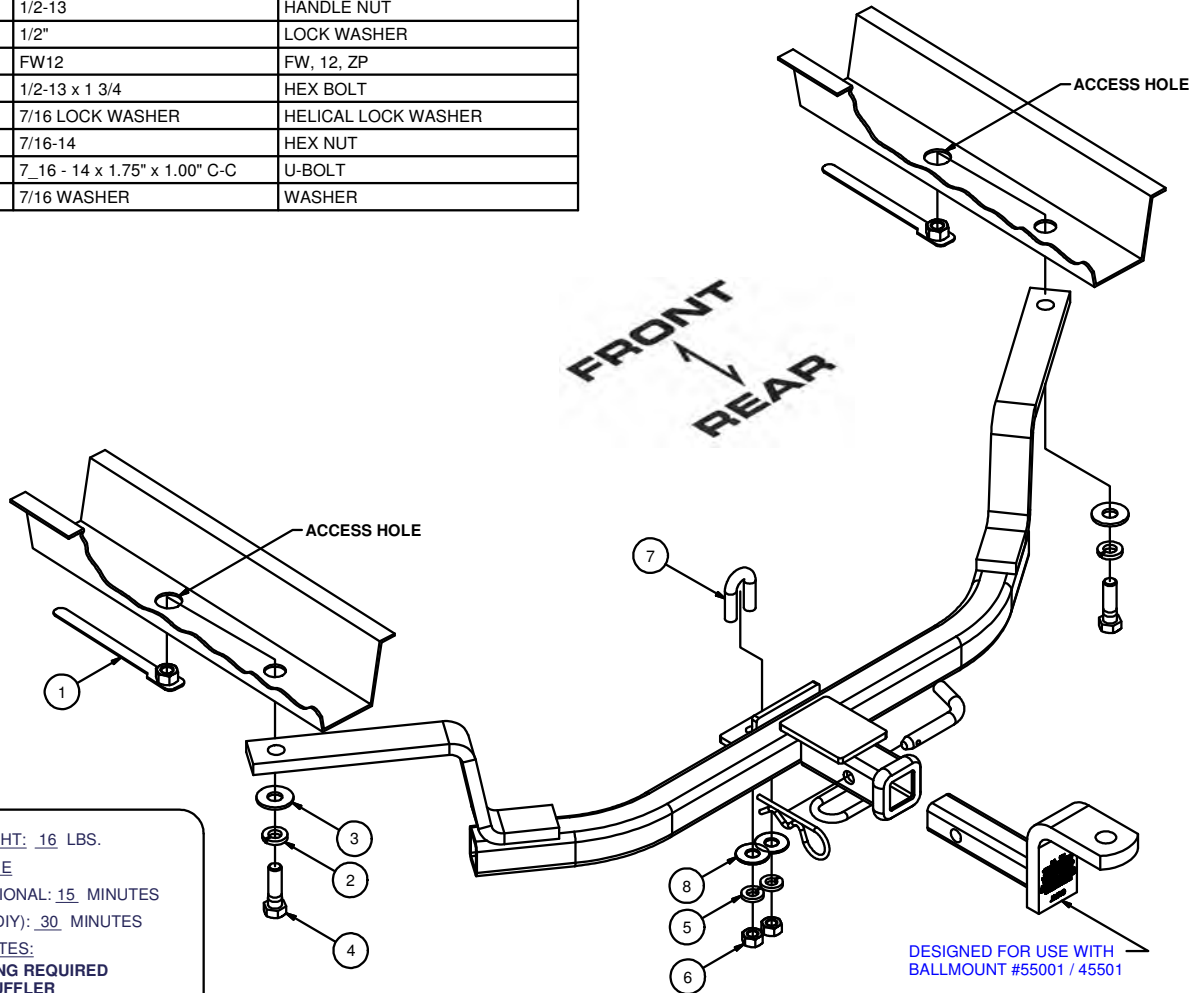
**\*\*\*DO NOT EXCEED VEHICLE MANUFACTURER'S RECOMMENDED TOWING CAPACITY.\*\*\***

WARNING: ALL NON-TRAILER LOADS APPLIED TO THIS PRODUCT MUST BE SUPPORTED BY 18050 STABILIZING STRAPS.

**\*\* FAILURE TO PROPERLY SUPPORT NON-TRAILER LOADS WILL VOID PRODUCT WARRANTY\*\***

HAVING INSTALLATION QUESTIONS? CALL TECHNICAL SUPPORT AT 1-800-798-0813

| Parts List |     |                               |                     |
|------------|-----|-------------------------------|---------------------|
| ITEM       | QTY | PART NUMBER                   | DESCRIPTION         |
| 1          | 2   | 1/2-13                        | HANDLE NUT          |
| 2          | 2   | 1/2"                          | LOCK WASHER         |
| 3          | 2   | FW12                          | FW, 12, ZP          |
| 4          | 2   | 1/2-13 x 1 3/4                | HEX BOLT            |
| 5          | 2   | 7/16 LOCK WASHER              | HELICAL LOCK WASHER |
| 6          | 2   | 7/16-14                       | HEX NUT             |
| 7          | 1   | 7_16 - 14 x 1.75" x 1.00" C-C | U-BOLT              |
| 8          | 2   | 7/16 WASHER                   | WASHER              |



HITCH WEIGHT: 16 LBS.

INSTALL TIME

PROFESSIONAL: 15 MINUTES

NOVICE (DIY): 30 MINUTES

INSTALL NOTES:

- NO DRILLING REQUIRED
- LOWER MUFFLER

**INSTALLATION STEPS**

1. Temporarily lower the muffler by disconnecting two rear most hangers. Insert tab nuts inside frame rails through larger holes forward of mounting point.
2. Lift hitch into position on bottom of frame rails lining up hitch bracket holes with rear most holes in bottom of rails. Fasten hitch to frame rails using fasteners as shown, bolting into tab nuts.
3. Fasten hitch to vehicle tow loop using u-bolt, passing over tow loop and securing hitch with 7/16" fasteners, as shown.
4. Torque 7/16" fasteners to 70 ft.-lbs and 1/2" fasteners to 110 ft.-lbs.

**NOTE: Do NOT use impact wrench on u-bolt.**

**PERIODICALLY CHECK THIS RECEIVER HITCH TO ENSURE THAT ALL FASTENERS ARE TIGHT AND THAT ALL STRUCTURAL COMPONENTS ARE SOUND.**

Curt Manufacturing Inc., warrants this product to be free of defects in material and/or workmanship at the time of retail purchase by the original purchaser. If the product is found to be defective, Curt Manufacturing Inc., may repair or replace the product, at their option, when the product is returned, prepaid, with proof of purchase. Alteration to, misuse of, or improper installation of this product voids the warranty. Curt Manufacturing Inc.'s liability is limited to repair or replacement of products found to be defective, and specifically excludes liability for incidental or consequential loss or damage.