

11772

## 1996-99 INFINITI I30, 1997-99 NISSAN MAXIMA

11/19/2012

GROSS LOAD CAPACITY WHEN USED AS A WEIGHT CARRYING HITCH: 2,000 LBS. TRAILER WEIGHT &amp; 200 LBS. TONGUE WEIGHT.

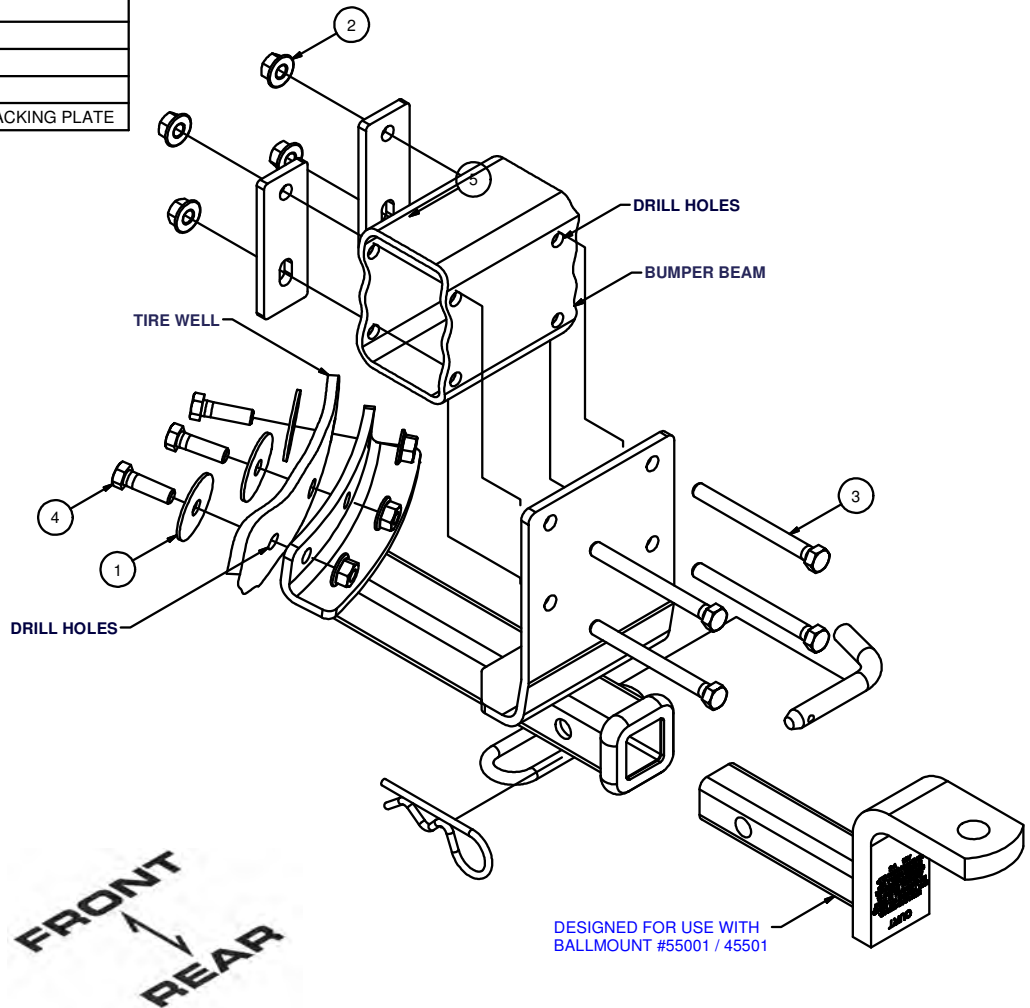
\*\*\*DO NOT EXCEED VEHICLE MANUFACTURER'S RECOMMENDED TOWING CAPACITY.\*\*\*

WARNING: ALL NON-TRAILER LOADS APPLIED TO THIS PRODUCT MUST BE SUPPORTED BY 18050 STABILIZING STRAPS.

\*\* FAILURE TO PROPERLY SUPPORT NON-TRAILER LOADS WILL VOID PRODUCT WARRANTY\*\*

HAVING INSTALLATION QUESTIONS? CALL TECHNICAL SUPPORT AT 1-800-798-0813

Parts List			
ITEM	QTY	PART NUMBER	DESCRIPTION
1	3	3/8"	FENDER WASHER
2	7	HFN3816	HEX FLANGE NUT
3	4	3/8 - 16 x 4	HEX BOLT
4	3	3/8 - 16 x 1 1/4	HEX BOLT
5	2	CM-SP117	.25 x 1.50 x 4.00 BACKING PLATE



HITCH WEIGHT: 11 LBS.

## INSTALL TIME

PROFESSIONAL: 30 MINUTES

NOVICE (DIY): 60 MINUTES

## INSTALL NOTES:

- DRILLING REQUIRED
- TEMPORARILY REMOVE LICENSE PLATE
- SILICONE SEAL HARDWARE
- TEMPORARILY REMOVE BOLTS
- TEMPORARILY REMOVE SPARE TIRE

**INSTALLATION STEPS**

1. Temporarily remove license plate. Lift the hitch into position centered and square with car. Temporarily remove fascia/ bracket bolts at bumper bottom to position hitch. Using hitch as a template, drill bumper for 3/8" diameter fasteners. Under license plate remove horizontal fascia strip. Pay attention to drill holes square with bumper so exit holes will match backing plates. Temporarily mount hitch using fasteners.
2. Remove spare tire. Using hitch as template, mark tire well for 3/8" fasteners. Remove hitch and drill tire well at marks. Reinstall hitch as shown.
3. Torque all 3/8" hardware to 45 lb.-ft.
4. Use silicone sealant to seal hardware hardware installed through tire well.
5. Reinstall license plate, spare tire and fascia / bracket bolts removed in Step 1.

**PERIODICALLY CHECK THIS RECEIVER HITCH TO ENSURE THAT ALL FASTENERS ARE TIGHT AND THAT ALL STRUCTURAL COMPONENTS ARE SOUND.**

Curt Manufacturing Inc., warrants this product to be free of defects in material and/or workmanship at the time of retail purchase by the original purchaser. If the product is found to be defective, Curt Manufacturing Inc., may repair or replace the product, at their option, when the product is returned, prepaid, with proof of purchase. Alteration to, misuse of, or improper installation of this product voids the warranty. Curt Manufacturing Inc.'s liability is limited to repair or replacement of products found to be defective, and specifically excludes liability for incidental or consequential loss or damage.

247278