

11810**89-92 SAAB 9000 HATCHBACK**

11/13/2017

GROSS LOAD CAPACITY WHEN USED AS A WEIGHT CARRYING HITCH: 2,000 LBS. TRAILER WEIGHT & 200 LBS. TONGUE WEIGHT.

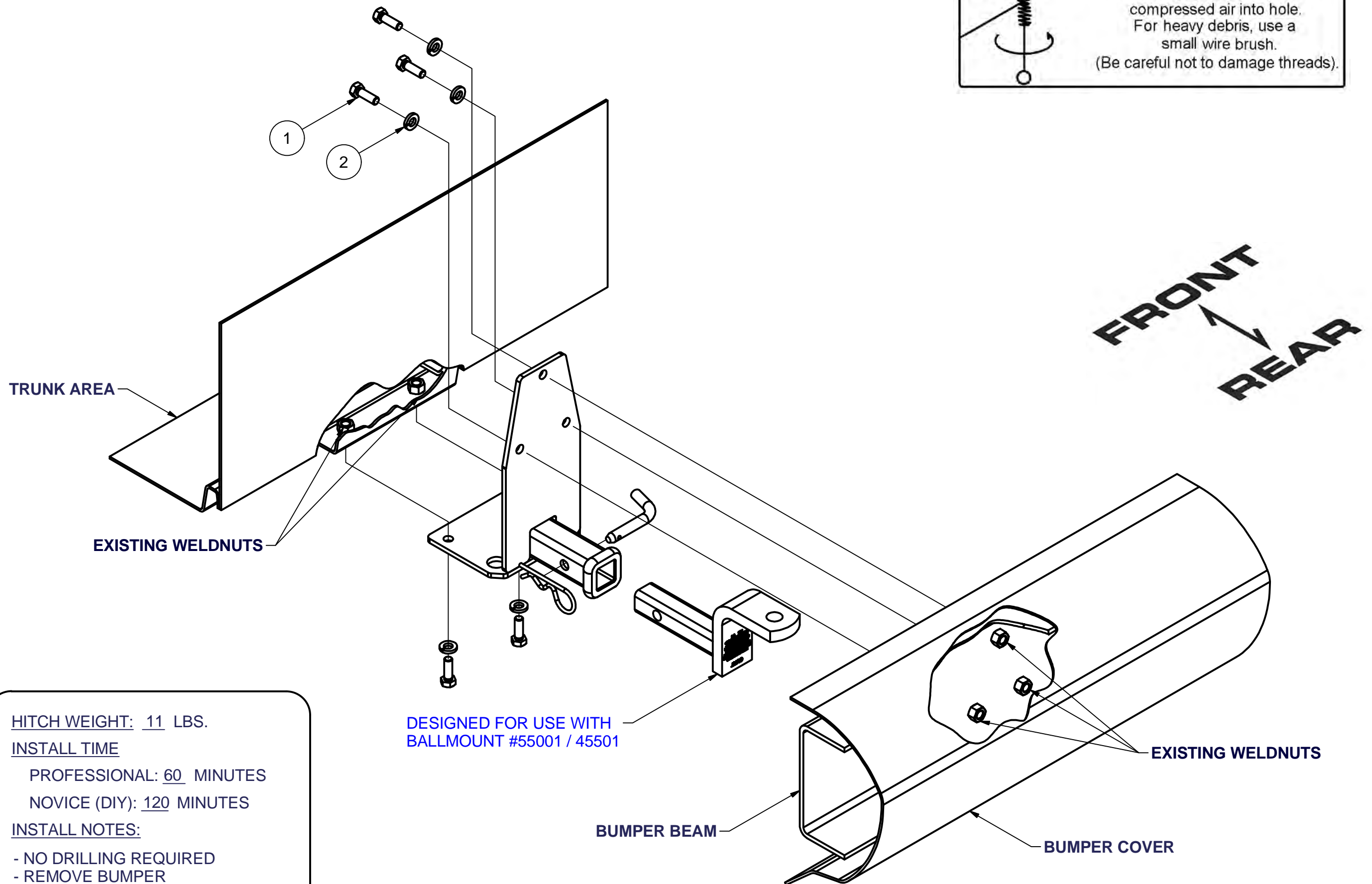
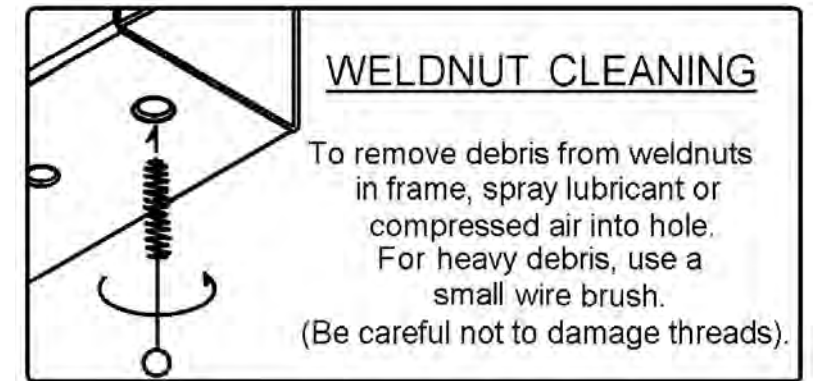
DO NOT EXCEED VEHICLE MANUFACTURER'S RECOMMENDED TOWING CAPACITY.

WARNING: ALL NON-TRAILER LOADS APPLIED TO THIS PRODUCT MUST BE SUPPORTED BY 18050 STABILIZING STRAPS.

** FAILURE TO PROPERLY SUPPORT NON-TRAILER LOADS WILL VOID PRODUCT WARRANTY**

HAVING INSTALLATION QUESTIONS? CALL TECHNICAL SUPPORT AT 1-800-798-0813

Parts List			
ITEM	QTY	PART NUMBER	DESCRIPTION
1	5	M10 - 1.5 x 30 HEX	HEX BOLT
2	5	7/16 LOCK WASHER	HELICAL LOCK WASHER



HITCH WEIGHT: 11 LBS.

INSTALL TIME

PROFESSIONAL: 60 MINUTES

NOVICE (DIY): 120 MINUTES

INSTALL NOTES:

- NO DRILLING REQUIRED
- REMOVE BUMPER
- REMOVE TOW HOOK

INSTALLATION STEPS

1. Remove rear bumper, fasteners are located inside the trunk at either side against the rear wall, one of which is located under a plastic floor plug. Also remove screws holding the bumper cover to the vehicle at the wheel wells.
2. Remove tow hook. Return tow hook to vehicle owner.
3. Bolt the hitch to the (3) holes that are in the bumper as shown. Final tightening of these bolts must be done before the bumper is reinstalled on the vehicle. There is no clearance after the bumper is reattached. Torque M10 hardware to 35 lb-ft.
4. Reinstall bumper, but do not tighten hardware. The two holes in the bottom plate of the hitch should line up with weldnuts in the brackets under the back of the vehicle. Adjust bumper to align hitch with weldnuts. Install hardware through the hitch into the vehicle.
5. Tighten all bumper attaching hardware. Torque remaining M10 hardware to 45 lb-ft.

PERIODICALLY CHECK THIS RECEIVER HITCH TO ENSURE THAT ALL FASTENERS ARE TIGHT AND THAT ALL STRUCTURAL COMPONENTS ARE SOUND.

Curt Manufacturing Inc., warrants this product to be free of defects in material and/or workmanship at the time of retail purchase by the original purchaser. If the product is found to be defective, Curt Manufacturing Inc., may repair or replace the product, at their option, when the product is returned, prepaid, with proof of purchase. Alteration to, misuse of, or improper installation of this product voids the warranty. Curt Manufacturing Inc.'s liability is limited to repair or replacement of products found to be defective, and specifically excludes liability for incidental or consequential loss or damage.