

11816

86-95 MERCEDES E CLASS SEDAN & COUPE (INCL. 300 & 400 D, E, CE, 4MATIC (124 CHASSIS))

11/13/2017

GROSS LOAD CAPACITY WHEN USED AS A WEIGHT CARRYING HITCH: 2,000 LBS. TRAILER WEIGHT & 200 LBS. TONGUE WEIGHT.

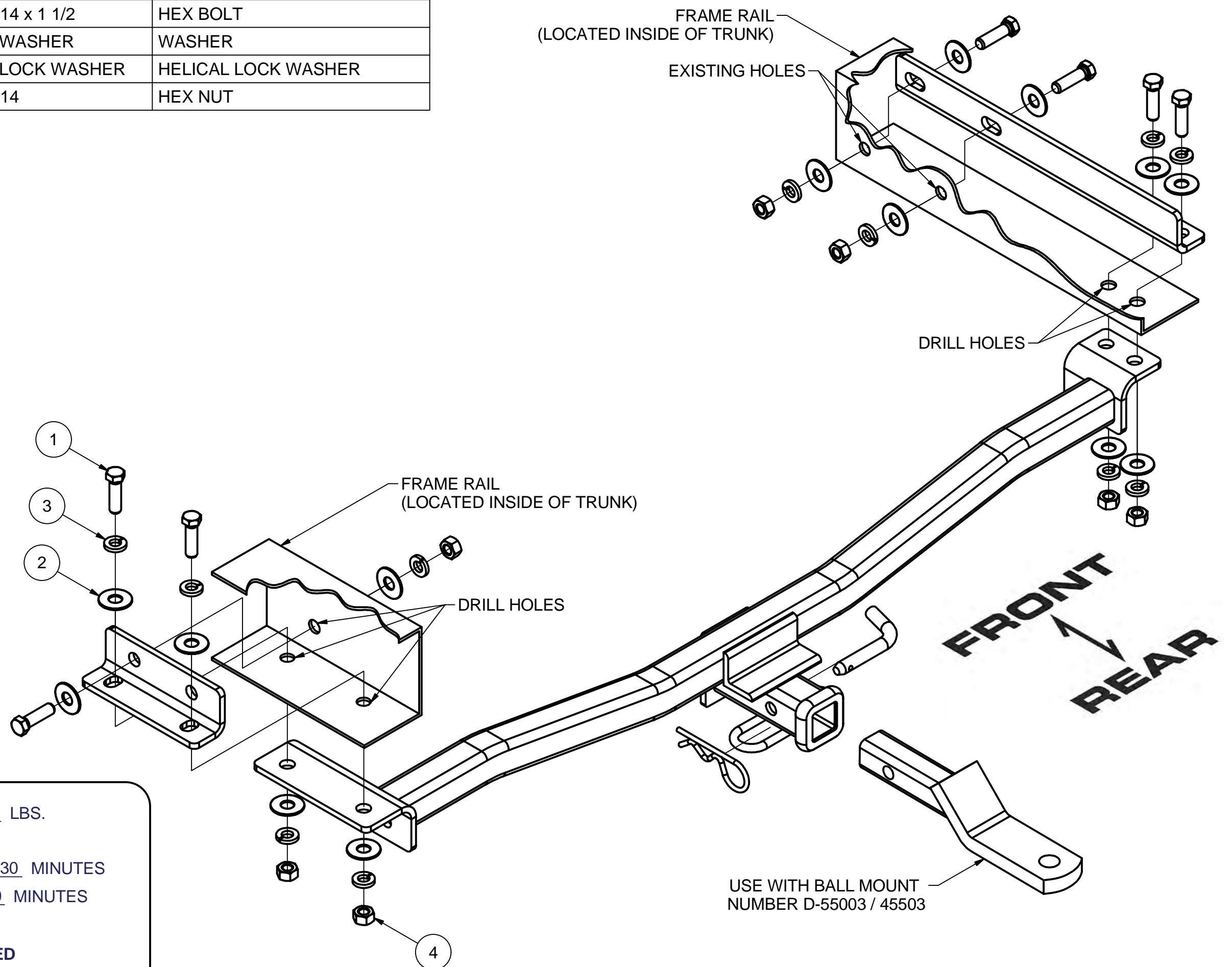
DO NOT EXCEED VEHICLE MANUFACTURER'S RECOMMENDED TOWING CAPACITY.

WARNING: ALL NON-TRAILER LOADS APPLIED TO THIS PRODUCT MUST BE SUPPORTED BY AUXILIARY STABILIZING STRAPS.

** FAILURE TO PROPERLY SUPPORT NON-TRAILER LOADS WILL VOID PRODUCT WARRANTY**

HAVING INSTALLATION QUESTIONS? CALL TECHNICAL SUPPORT AT 1-800-798-0813

Parts List			
ITEM	QTY	PART NUMBER	DESCRIPTION
1	7	7/16-14 x 1 1/2	HEX BOLT
2	14	7/16 WASHER	WASHER
3	11	7/16 LOCK WASHER	HELICAL LOCK WASHER
4	7	7/16-14	HEX NUT



HITCH WEIGHT: 25 LBS.

INSTALL TIME

PROFESSIONAL: 30 MINUTES

NOVICE (DIY): 60 MINUTES

INSTALL NOTES:

-DRILLING REQUIRED**INSTALLATION STEPS**

1. Using the template provided, drill passenger side of car for 7/16" bolts. This fixes the position of the hitch on the car. Lift hitch receiver assembly into position and install fasteners being sure to install longer backing plate inside car trunk and frame rail as shown. Hand tighten.
2. Install fasteners joining longer backing plate to the car's frame rail on passenger side.
3. Check hitch receiver to be square with car and using hitch as a template drill driver's side of car for 7/16" bolts. Install fasteners, placing the shorter backing plate inside trunk and frame rail as shown.
4. Using driver's side backing plate as a template, drill car's frame rail for fasteners and install bolts. Note: that access for this bolt is both inside and outside of the car.
5. Torque all fasteners to 70 lb-ft.

PERIODICALLY CHECK THIS RECEIVER HITCH TO ENSURE THAT ALL FASTENERS ARE TIGHT AND THAT ALL STRUCTURAL COMPONENTS ARE SOUND.

Curt Manufacturing Inc., warrants this product to be free of defects in material and/or workmanship at the time of retail purchase by the original purchaser. If the product is found to be defective, Curt Manufacturing Inc., may repair or replace the product, at their option, when the product is returned, prepaid, with proof of purchase. Alteration to, misuse of, or improper installation of this product voids the warranty. Curt Manufacturing Inc.'s liability is limited to repair or replacement of products found to be defective, and specifically excludes liability for incidental or consequential loss or damage.