

11820**04-06 MERCEDES BENZ E320 & E500 WAGON**

11/19/2012

GROSS LOAD CAPACITY WHEN USED AS A WEIGHT CARRYING HITCH: 2,000 LBS. TRAILER WEIGHT & 200 LBS. TONGUE WEIGHT.

*****DO NOT EXCEED VEHICLE MANUFACTURER'S RECOMMENDED TOWING CAPACITY.*******WARNING: ALL NON-TRAILER LOADS APPLIED TO THIS PRODUCT MUST BE SUPPORTED BY AUXILIARY STABILIZING STRAPS.****** FAILURE TO PROPERLY SUPPORT NON-TRAILER LOADS WILL VOID PRODUCT WARRANTY****

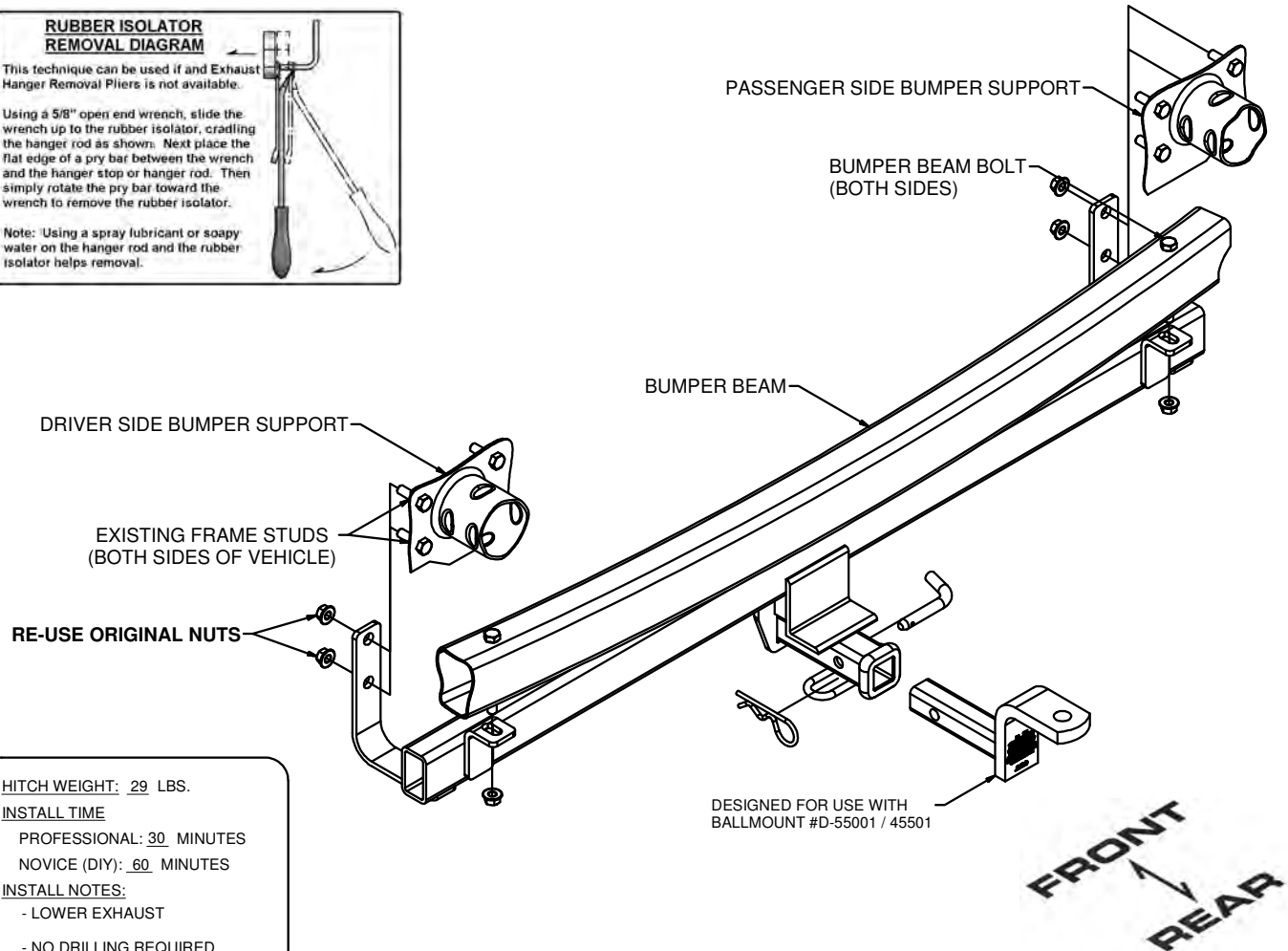
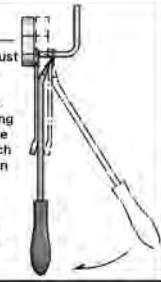
HAVING INSTALLATION QUESTIONS? CALL TECHNICAL SUPPORT AT 1-800-798-0813

**RUBBER ISOLATOR
REMOVAL DIAGRAM**

This technique can be used if and Exhaust Hanger Removal Pliers is not available.

Using a 5/8" open end wrench, slide the wrench up to the rubber isolator, cradling the hanger rod as shown. Next place the flat edge of a pry bar between the wrench and the hanger stop or hanger rod. Then simply rotate the pry bar toward the wrench to remove the rubber isolator.

Note: Using a spray lubricant or soapy water on the hanger rod and the rubber isolator helps removal.



HITCH WEIGHT: 29 LBS.

INSTALL TIME

PROFESSIONAL: 30 MINUTES

NOVICE (DIY): 60 MINUTES

INSTALL NOTES:

- LOWER EXHAUST

- NO DRILLING REQUIRED

INSTALLATION STEPS

- 1) Remove (2) screws from bumper fascia tabs and rotate tabs toward bumper.
- 2) Lower (3) exhaust hangers ((1) by each muffler and (1) by drive shaft).
- 3) Remove (2) nuts from bumper beam bolts and (4) nuts from frame studs, as shown above.
- 4) Raise hitch on the driver side into the bumper cavity above the exhaust. Then push the exhaust towards the passenger side while rotating the hitch into the bumper cavity. Place the hitch over existing studs, and pull hitch towards bumper beam bolts.
- 5) Apply blue Loctite to all studs and nuts. Loosely re-install all hex flange nuts removed in step 3.
- 6) Torque all 10mm fasteners to 45 lb-ft.
(Note: tighten the existing frame stud nuts first)
- 7) Re-install exhaust to original location.
- 8) Rotate fascia tabs back into position, and re-install screws removed in step 1.

PERIODICALLY CHECK THIS RECEIVER HITCH TO ENSURE THAT ALL FASTENERS ARE TIGHT AND THAT ALL STRUCTURAL COMPONENTS ARE SOUND.

Curt Manufacturing Inc., warrants this product to be free of defects in material and/or workmanship at the time of retail purchase by the original purchaser. If the product is found to be defective, Curt Manufacturing Inc., may repair or replace the product, at their option, when the product is returned, prepaid, with proof of purchase. Alteration to, misuse of, or improper installation of this product voids the warranty. Curt Manufacturing Inc.'s liability is limited to repair or replacement of products found to be defective, and specifically excludes liability for incidental or consequential loss or damage.