

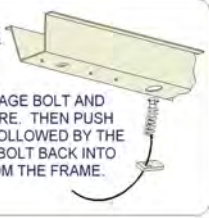
11829**VOLVO C30**

12/5/2012

EXCLUDES C30-R

GROSS LOAD CAPACITY WHEN USED AS A WEIGHT CARRYING HITCH: 2,000 LBS. TRAILER WEIGHT & 200 LBS. TONGUE WEIGHT.
***** DO NOT EXCEED VEHICLE MANUFACTURER'S RECOMMENDED TOWING CAPACITY.*****

Parts List				
ITEM	QTY	PART NUMBER	DESCRIPTION	
1	4	1/2-13 x 1 3/4	CARRIAGE BOLT	
2	2	CM-SP6	.250 x 1.00 x 3.00 SPACER	
3	4	HFN 1213	HEX FLANGE NUT	
4	4	CM-SP12	.250 x 1.00 x 2.00 SPACER	
5	2	1_2 FISHWIRE	1/2" FISHWIRE	

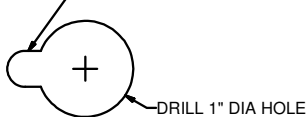
REVERSE PULL FISHWIRE TECHNIQUE


ATTACH FISHWIRE TO CARRIAGE BOLT AND SLIDE SPACER ONTO FISHWIRE. THEN PUSH THE BOLT THRU THE HOLE FOLLOWED BY THE SPACER (AS SHOWN). PULL BOLT BACK INTO POSITION, PROTRUDING FROM THE FRAME.

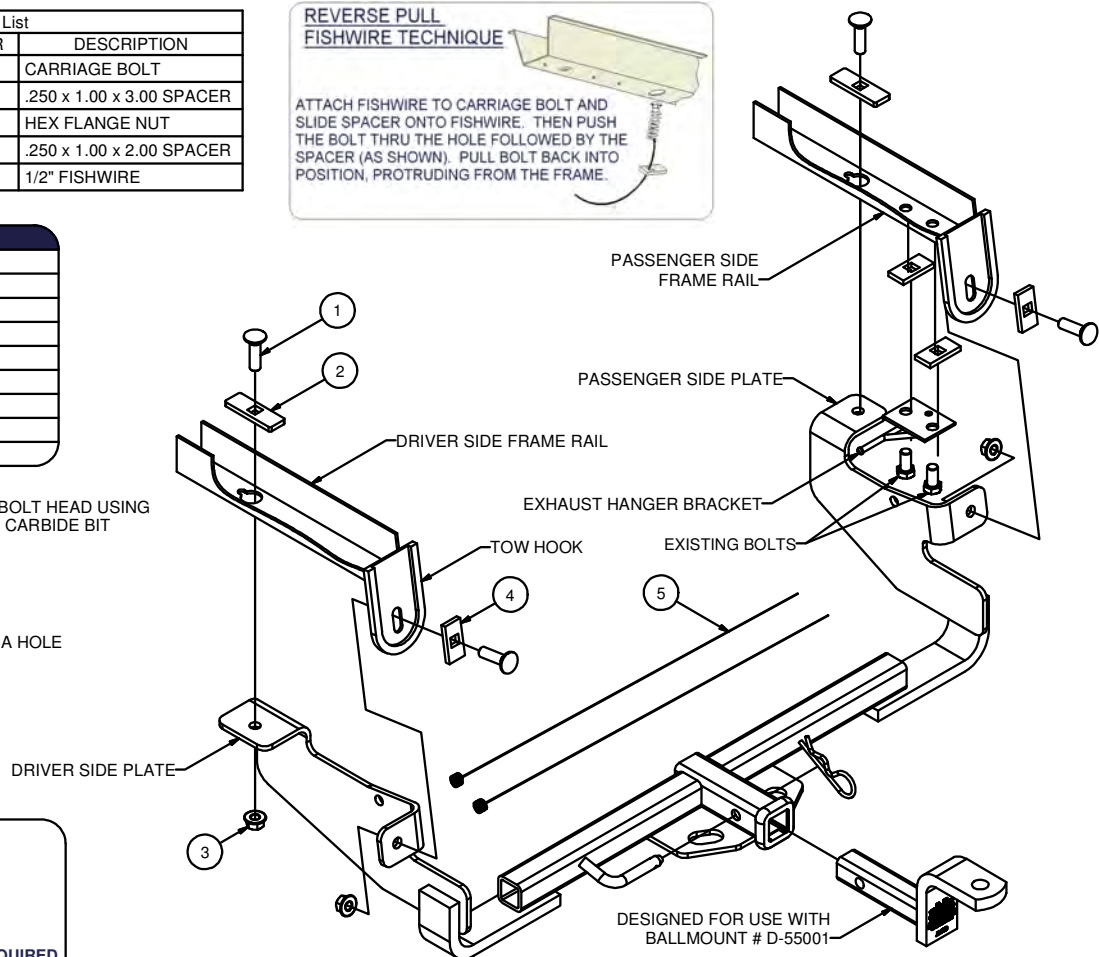
TOOLS REQUIRED

TIN SNIPS
 1" HOLE SAW
 DRILL
 CARBIDE BIT
 DIE GRINDER
 3/4" WRENCH
 3/4" SOCKET
 RATCHET
 TORQUE WRENCH

CLEARANCE FOR BOLT HEAD USING DIE GRINDER AND CARBIDE BIT



ACCESS HOLE DIAGRAM



HITCH WEIGHT: 32 LBS.
 INSTALL TIME: 45 MINUTES

INSTALL NOTES:

- FISHWIRE HARDWARE
- HEAT SHIELD TRIMMING REQUIRED
- DRILLING REQUIRED

INSTALLATION STEPS

- 1) Remove the passenger side exhaust hanger by removing the (2) bolts which attach the exhaust hanger bracket to the frame. Retain the bolts for use in Step 9.
- 2) Raise the hitch into position and temporarily attach it using only the tow hook mounting fasteners.
- 3) Mark the outlines of the side plate flanges on the exhaust heat shields. Trim the heat shields using the tin snips to allow the flange to sit flat against the vehicle frame.
- 4) Using the holes in the side plate flanges, mark the hole locations on the frame rails.
- 5) Lower the hitch. Drill access holes in the frame rails in the areas marked in Step 4. Using the die grinder and carbide bit, create a notch as shown to allow the bolt head to fit inside the frame rail. (See Access Hole Diagram.)
- 6) Reverse fishwire the 1/2-13 carriage bolts and the CM-SP6 spacers through the holes as shown. (See Reverse Pull Fishwire Diagram.)
- 7) Raise the hitch back into position, taking care not to push the carriage bolts into the frame, and secure the hitch using the 1/2" flange nuts.
- 8) Place the 1/2-13 hex bolts with the CM-SP12 spacers through the vehicle tow hooks and secure with the 1/2" flange nuts as shown.
- 9) Reattach the passenger side exhaust hanger bracket using the fasteners removed in Step 1. Because the hanger bracket will overlap the hitch frame bracket, it will be necessary to space the hanger down using (2) CM-SP12 spacers as shown.
- 10) Torque all 1/2-13 fasteners to 110 lb-ft.

PERIODICALLY CHECK THIS RECEIVER HITCH TO ENSURE THAT ALL FASTENERS ARE TIGHT AND THAT ALL STRUCTURAL COMPONENTS ARE SOUND.

Curt Manufacturing Inc., warrants this product to be free of defects in material and/or workmanship at the time of retail purchase by the original purchaser. If the product is found to be defective, Curt Manufacturing Inc., may repair or replace the product, at their option, when the product is returned, prepaid, with proof of purchase. Alteration to, misuse of, or improper installation of this product voids the warranty. Curt Manufacturing Inc.'s liability is limited to repair or replacement of products found to be defective, and specifically excludes liability for incidental or consequential loss or damage.