

12006

98-04 DODGE INTREPID

10/1/2012

GROSS LOAD CAPACITY WHEN USED AS A WEIGHT CARRYING HITCH: 3,500 LBS. TRAILER WEIGHT & 350 LBS. TONGUE WEIGHT.

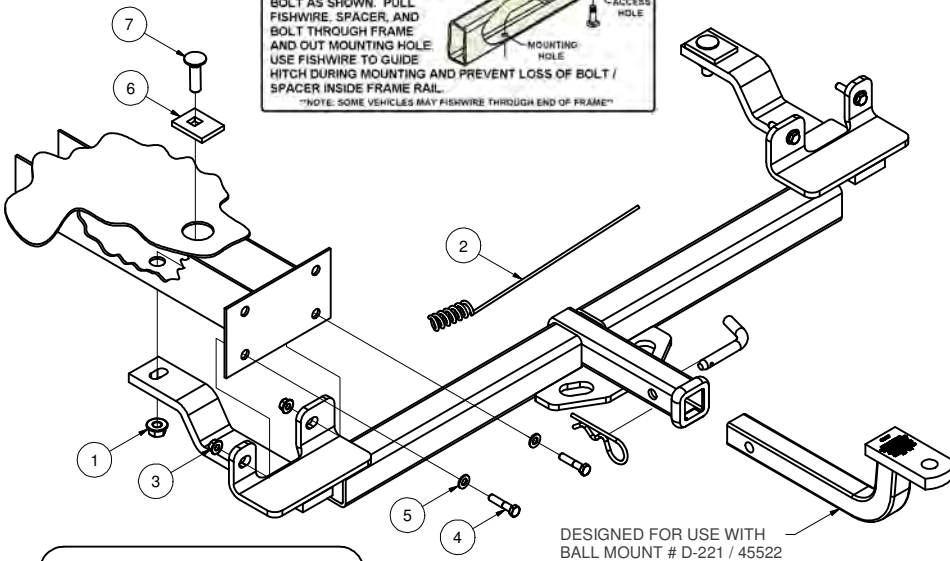
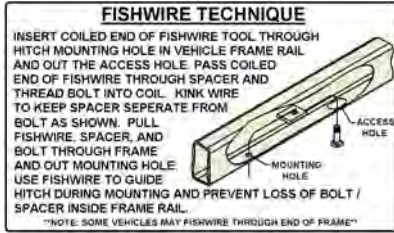
*****DO NOT EXCEED VEHICLE MANUFACTURER'S RECOMMENDED TOWING CAPACITY.*****

WARNING: ALL NON-TRAILER LOADS APPLIED TO THIS PRODUCT MUST BE SUPPORTED BY AUXILIARY STABILIZING STRAPS.

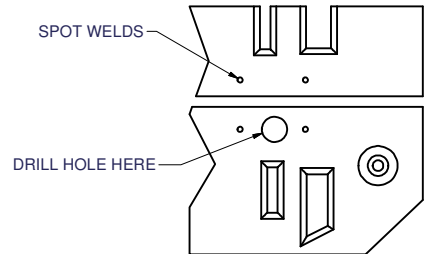
**** FAILURE TO PROPERLY SUPPORT NON-TRAILER LOADS WILL VOID PRODUCT WARRANTY****

HAVING INSTALLATION QUESTIONS? CALL TECHNICAL SUPPORT AT 1-800-798-0813

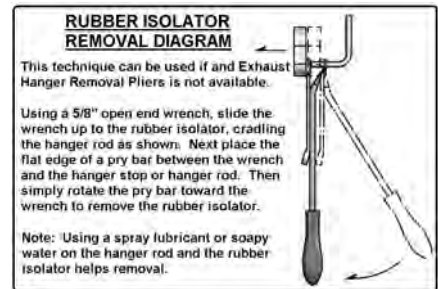
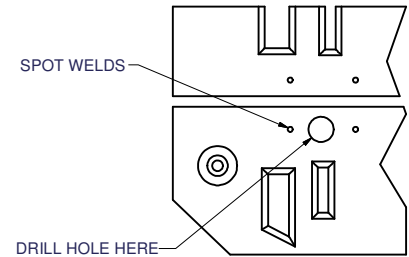
Parts List			
ITEM	QTY	PART NUMBER	DESCRIPTION
1	2	HFN 1213	HEX FLANGE NUT
2	1	1/2"	FISHWIRE TOOL
3	4	5/16-18	HEX FLANGE NUT
4	4	5/16-18 x 1 1/2	HEX BOLT
5	4	5/16"	WASHER
6	2	CM-SP1	.250 x 1.50 x 2.00" SQUARE HOLE SPACER
7	2	1/2-13 x 1 3/4	CARRIAGE BOLT



PASSENGER SIDE TRUNK PAN



DRIVERS SIDE TRUNK PAN



HITCH WEIGHT: 28 LBS.

INSTALL TIME

PROFESSIONAL: 45 MINUTES

NOVICE (DIY): 90 MINUTES

INSTALL NOTES:

-DRILLING REQUIRED

INSTALLATION STEPS

- (1) LIFT TRUNK LID AND ROLL BACK CARPETING TO REVEAL TRUNK PAN. USING A 1-1/2" DIA HOLESAW, CUT A HOLE IN THE LOCATION SHOWN IN THE DIAGRAMS ABOVE. MAKE SURE YOU CENTER THE HOLESAW BETWEEN THE SPOT-WELDS AS SHOWN.
- (2) AFTER CUTTING HOLES (1) PER SIDE, FISHWIRE A CARRIAGE BOLT AND SPACER THROUGH THE DRILLED HOLES AND DOWN THRU EXISTING SLOTS IN FRAME RAILS AS SHOWN ABOVE.
- (3) RAISE VEHICLE FOR ACCESS TO UNDERSIDE.
- (4) LOWER EXHAUST TO ALLOW ROOM FOR SECURING FASTENERS TO CARRIAGE BOLT.
- (5) REMOVE THE BOTTOM BOLT FROM THE BUMPER BRACKET AND RETURN TO VEHICLE OWNER. (1) EACH SIDE OF VEHICLE.
- (6) RAISE HITCH INTO POSITION, BE CAREFUL NOT TO PUSH CARRIAGE BOLTS INTO FRAME.
- (7) INSERT THE 8mm SCREWS INTO THE HOLES IN THE BUMPER AND THROUGH THE HITCH ARMS AS SHOWN. POSITION THE STABILIZERS ONTO THE CARRIAGE BOLTS AND SECURE WITH FASTENERS AS SHOWN. SECURE THE 8mm SCREWS WITH FASTENERS AS SHOWN.
- (8) CHECK AND TIGHTEN ALL FASTENERS AS SPECIFIED.
- (9) RAISE AND SECURE EXHAUST BACK INTO POSITION. TORQUE 1/2 FASTENERS TO 110 FT-LBS & 45 FT-LBS FOR 3/8 FASTENERS

PERIODICALLY CHECK THIS RECEIVER HITCH TO ENSURE THAT ALL FASTENERS ARE TIGHT AND THAT ALL STRUCTURAL COMPONENTS ARE SOUND.

Curt Manufacturing Inc., warrants this product to be free of defects in material and/or workmanship at the time of retail purchase by the original purchaser. If the product is found to be defective, Curt Manufacturing Inc., may repair or replace the product, at their option, when the product is returned, prepaid, with proof of purchase. Alteration to, misuse of, or improper installation of this product voids the warranty. Curt Manufacturing Inc.'s liability is limited to repair or replacement of products found to be defective, and specifically excludes liability for incidental or consequential loss or damage.