

GROSS LOAD CAPACITY WHEN USED AS A WEIGHT CARRYING HITCH: 3,500 LBS. TRAILER WEIGHT & 350 LBS. TONGUE WEIGHT.

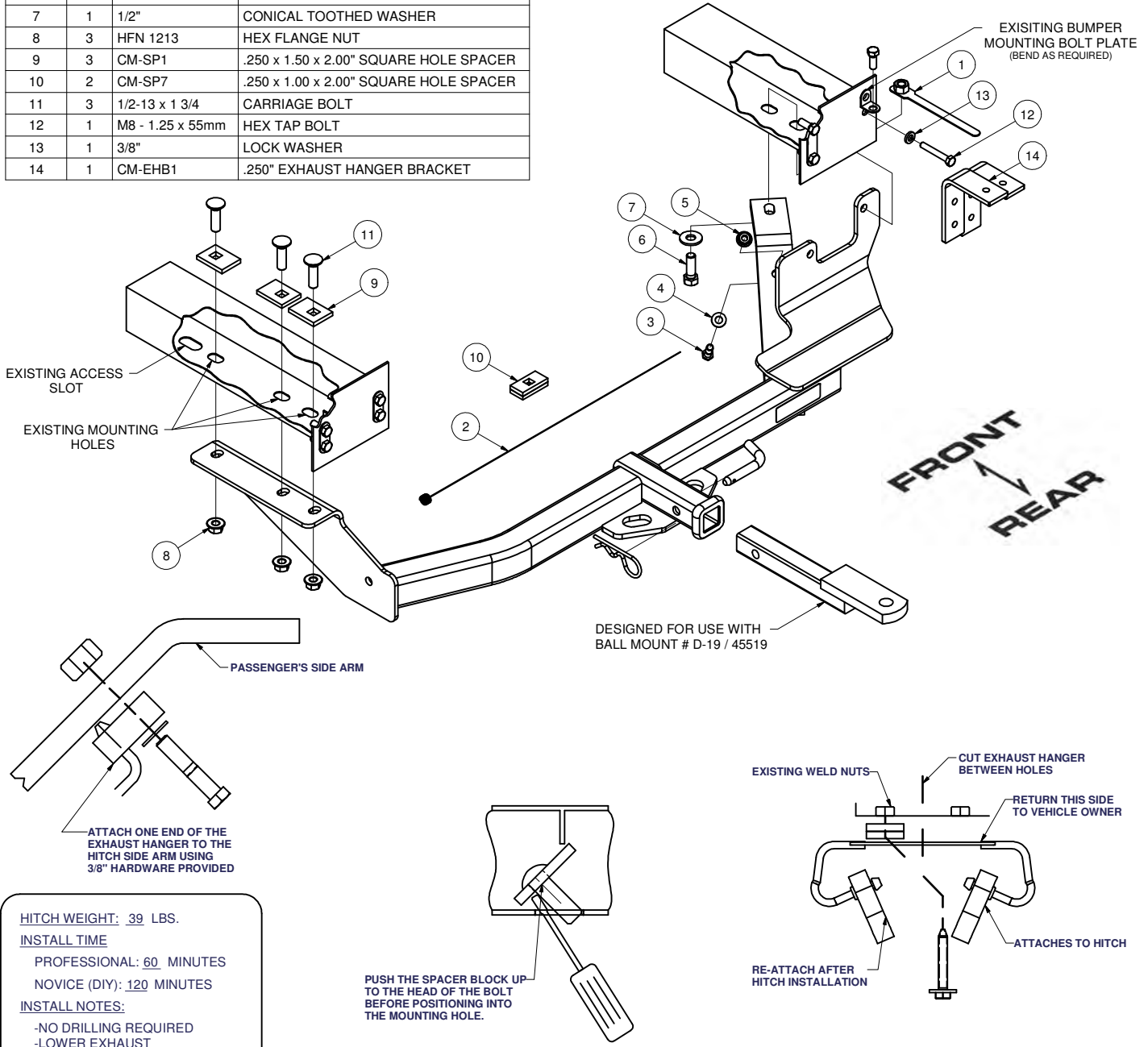
DO NOT EXCEED VEHICLE MANUFACTURER'S RECOMMENDED TOWING CAPACITY.

WARNING: ALL NON-TRAILER LOADS APPLIED TO THIS PRODUCT MUST BE SUPPORTED BY AUXILIARY STABILIZING STRAPS.

** FAILURE TO PROPERLY SUPPORT NON-TRAILER LOADS WILL VOID PRODUCT WARRANTY**

HAVING INSTALLATION QUESTIONS? CALL TECHNICAL SUPPORT AT 1-800-798-0813

Parts List				
ITEM	QTY	PART NUMBER	DESCRIPTION	
1	1	1/2-13	HANDLE NUT	
2	1	1_2 FISHWIRE	1/2" FISHWIRE	
3	1	3/8 - 16 x 2	HEX BOLT	
4	1	3/8"	WASHER	
5	1	HFN3816	HEX FLANGE NUT	
6	1	1/2 - 13 x 1 1/2	HEX BOLT	
7	1	1/2"	CONICAL TOOTHED WASHER	
8	3	HFN 1213	HEX FLANGE NUT	
9	3	CM-SP1	.250 x 1.50 x 2.00" SQUARE HOLE SPACER	
10	2	CM-SP7	.250 x 1.00 x 2.00" SQUARE HOLE SPACER	
11	3	1/2-13 x 1 3/4	CARRIAGE BOLT	
12	1	M8 - 1.25 x 55mm	HEX TAP BOLT	
13	1	3/8"	LOCK WASHER	
14	1	CM-EHB1	.250" EXHAUST HANGER BRACKET	

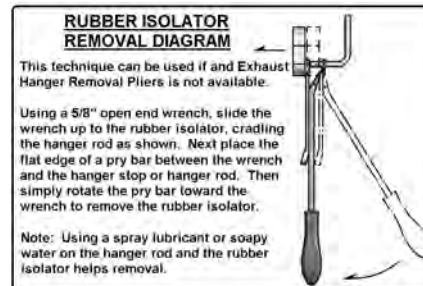
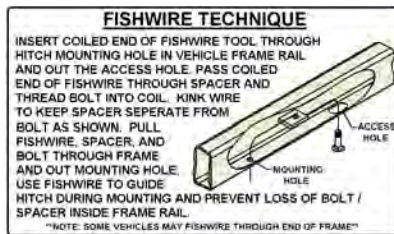


HITCH WEIGHT: .39 LBS.
INSTALL TIME
 PROFESSIONAL: 60 MINUTES
 NOVICE (DIY): 120 MINUTES
INSTALL NOTES:
 -NO DRILLING REQUIRED
 -LOWER EXHAUST
 -FISHWIRE HARDWARE

PUSH THE SPACER BLOCK UP TO THE HEAD OF THE BOLT BEFORE POSITIONING INTO THE MOUNTING HOLE.

PERIODICALLY CHECK THIS RECEIVER HITCH TO ENSURE THAT ALL FASTENERS ARE TIGHT AND THAT ALL STRUCTURAL COMPONENTS ARE SOUND.

Curt Manufacturing Inc., warrants this product to be free of defects in material and/or workmanship at the time of retail purchase by the original purchaser. If the product is found to be defective, Curt Manufacturing Inc., may repair or replace the product, at their option, when the product is returned, prepaid, with proof of purchase. Alteration to, misuse of, or improper installation of this product voids the warranty. Curt Manufacturing Inc.'s liability is limited to repair or replacement of products found to be defective, and specifically excludes liability for incidental or consequential loss or damage.



INSTALLATION STEPS

PONTIAC AND PRE-1993 OLDSMOBILE APPLICATIONS:

Disconnect muffler and hanger from vehicle. Replace hanger with 1/4 x 1 1/2" angle bracket supplied with hitch, but do not connect to muffler.

OLDSMOBILE ONLY:

Remove plastic valance panel. Valance panel must be trimmed to allow clearance for receiver tube if installed on vehicle.

GO TO STEP 4

1993 AND LATER OLDSMOBILE APPLICATIONS:

- 1) Remove exhaust hanger from vehicle and disconnect rubber exhaust hangers from bracket.
- 2) Cut hanger bracket in half between mounting holes.
- 3) Reconnect rubber exhaust hanger to hanger bracket. Return other half of bracket and fasteners to vehicle owner. Do not reattach bracket to vehicle at this time.
- 4) Fishwire carriage bolts and blocks through access slot and down through attaching holes as shown. **(Note: A gusset is present inside the frame above the center attachment hole which may cause interference with the installation of the center attachment block and bolt. The installation may be aided by using a small screwdriver to push the block against carriage bolt head prior to positioning in hole. If additional clearance is needed the gusset may be pushed up with a punch and hammer.)**
- 5) Remove and retain lower inboard bumper mounting nut on passenger side. Loosen upper inboard bumper mounting nut (inside trunk) as far as possible without removing. Remove lower outboard bolt by bending bolt plate up.
- 6) Replace bolt removed in step 5 with M8 bolt supplied. Fasten with nut retained in step 5. **(Note: Be sure to retighten upper outboard bumper mounting nut (inside trunk).**
- 7) Install handle nut using rearmost slot in frame as access slot. Raise hitch into position, insert a 1/2" bolt along with a conical washer into the handle nut and attach 1/2" flange nuts to remaining fasteners as shown.
- 8) Torque M8 fasteners to 23 lb.-ft. Torque 1/2" fasteners to 110 lb.-ft.
- 9) **On Pontiac and pre-1993 Olds applications, connect muffler to angle bracket. On 1993 and later olds applications, connect hanger bracket to vehicle using (2) 1/4" blocks and M8 bolt as shown. Fasten outboard rubber exhaust hanger to existing hole in hitch side arm with 3/8" hex bolt, flat washer, and lock washer. (Note: Tighten 3/8" fastener which connects rubber exhaust hanger to hitch side arm only enough to adequately engage thread. Do not tighten to the specified torque spec. for 3/8" fasteners. (Note: Vehicles with optional load leveling device require trimming compressor mouting bracket.**

PERIODICALLY CHECK THIS RECEIVER HITCH TO ENSURE THAT ALL FASTENERS ARE TIGHT AND THAT ALL STRUCTURAL COMPONENTS ARE SOUND.