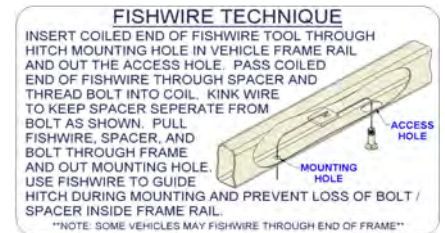


12034**99-04 CHRYSLER 300M (WILL NOT FIT SPECIAL)**

11/12/2012

GROSS LOAD CAPACITY WHEN USED AS A WEIGHT CARRYING HITCH: **3,500.LBS. TRAILER WEIGHT & 350.LBS. TONGUE WEIGHT.**
*****DO NOT EXCEED VEHICLE MANUFACTURER'S RECOMMENDED TOWING CAPACITY.*****

Parts List			
ITEM	QTY	PART NUMBER	DESCRIPTION
1	4	7/16-14	HEX FLANGE NUT
2	4	7/16 - 14 x 1 3/4	CARRIAGE BOLT
3	4	CM-SP2	.250 x .88 x 2.25" SQUARE HOLE SPACER
4	1	CM-438-FW	7/16 " FISHWIRE TOOL



**RUBBER ISOLATOR
REMOVAL DIAGRAM**

This technique can be used if an Exhaust Hanger Removal Pliers is not available.

Using a 5/8" open end wrench, slide the wrench up to the rubber isolator, cradling the hanger rod as shown. Next place the flat edge of a pry bar between the wrench and the hanger stop or hanger rod. Then simply rotate the pry bar toward the wrench to remove the rubber isolator.

Note: Using a spray lubricant or soapy water on the hanger rod and the rubber isolator helps removal.



TOOLS REQUIRED

11/16" SOCKET

10" EXTENSION

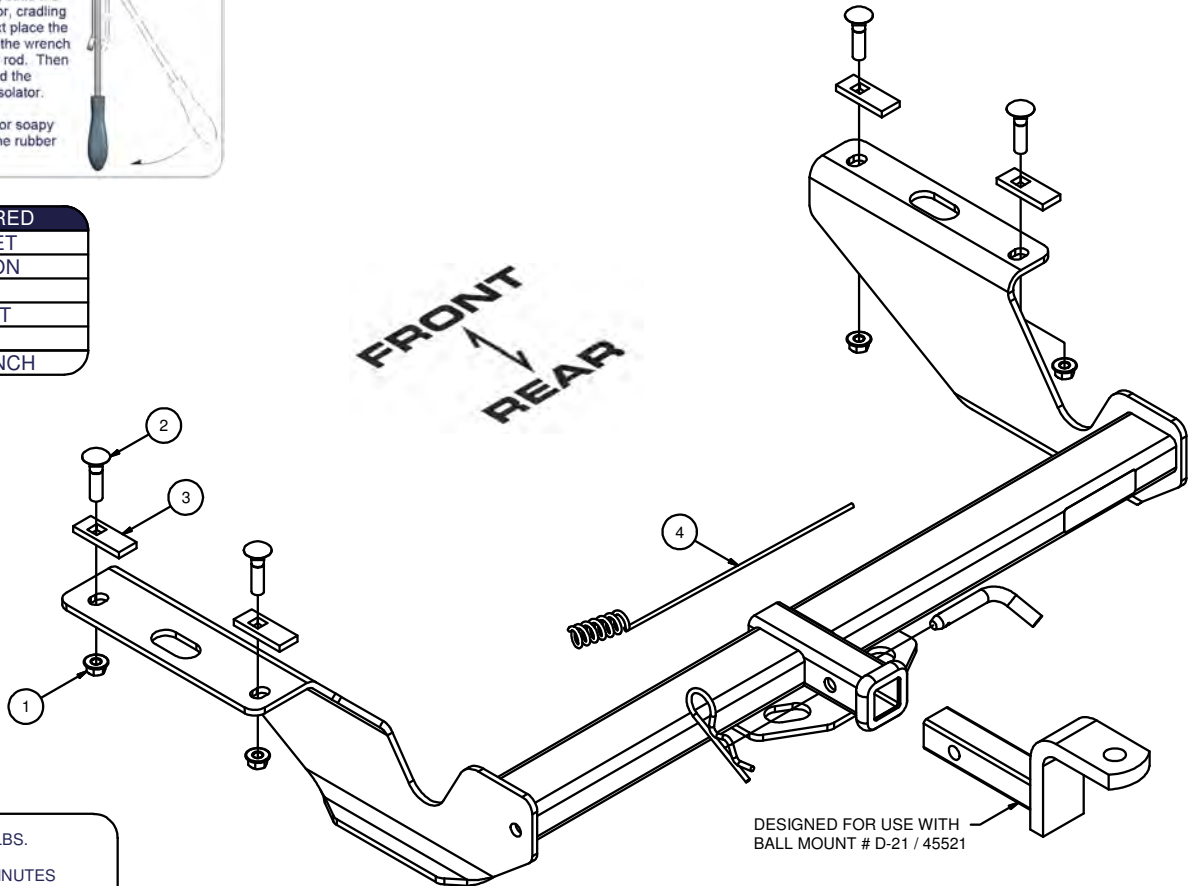
RATCHET

1/2" DRILL BIT

DRILL

TORQUE WRENCH

FRONT
↑
REAR



HITCH WEIGHT: 36 LBS.

INSTALL TIME: 30 MINUTES

INSTALL NOTES:

- HOLE ENLARGEMENT REQUIRED

INSTALLATION STEPS

- 1) Lower vehicle exhaust, by disconnecting forward and rearward rubber hangers.
- 2) Enlarge exhaust hanger hole to 1/2", then remove the rearward exhaust hanger bottom fastener.
- 3) Fishwire rearward fasteners through access hole.
- 4) Raise hitch into position and secure with fasteners.
- 5) Using hitch as template, drill the forward attachment holes.
- 6) Install remaining fasteners, and reattach vehicle exhaust.
- 7) Torque 7/16" fasteners to 70 ft-lbs.

PERIODICALLY CHECK THIS RECEIVER HITCH TO ENSURE THAT ALL FASTENERS ARE TIGHT AND THAT ALL STRUCTURAL COMPONENTS ARE SOUND.

Curt Manufacturing Inc., warrants this product to be free of defects in material and/or workmanship at the time of retail purchase by the original purchaser. If the product is found to be defective, Curt Manufacturing Inc., may repair or replace the product, at their option, when the product is returned, prepaid, with proof of purchase. Alteration to, misuse of, or improper installation of this product voids the warranty. Curt Manufacturing Inc.'s liability is limited to repair or replacement of products found to be defective, and specifically excludes liability for incidental or consequential loss or damage.