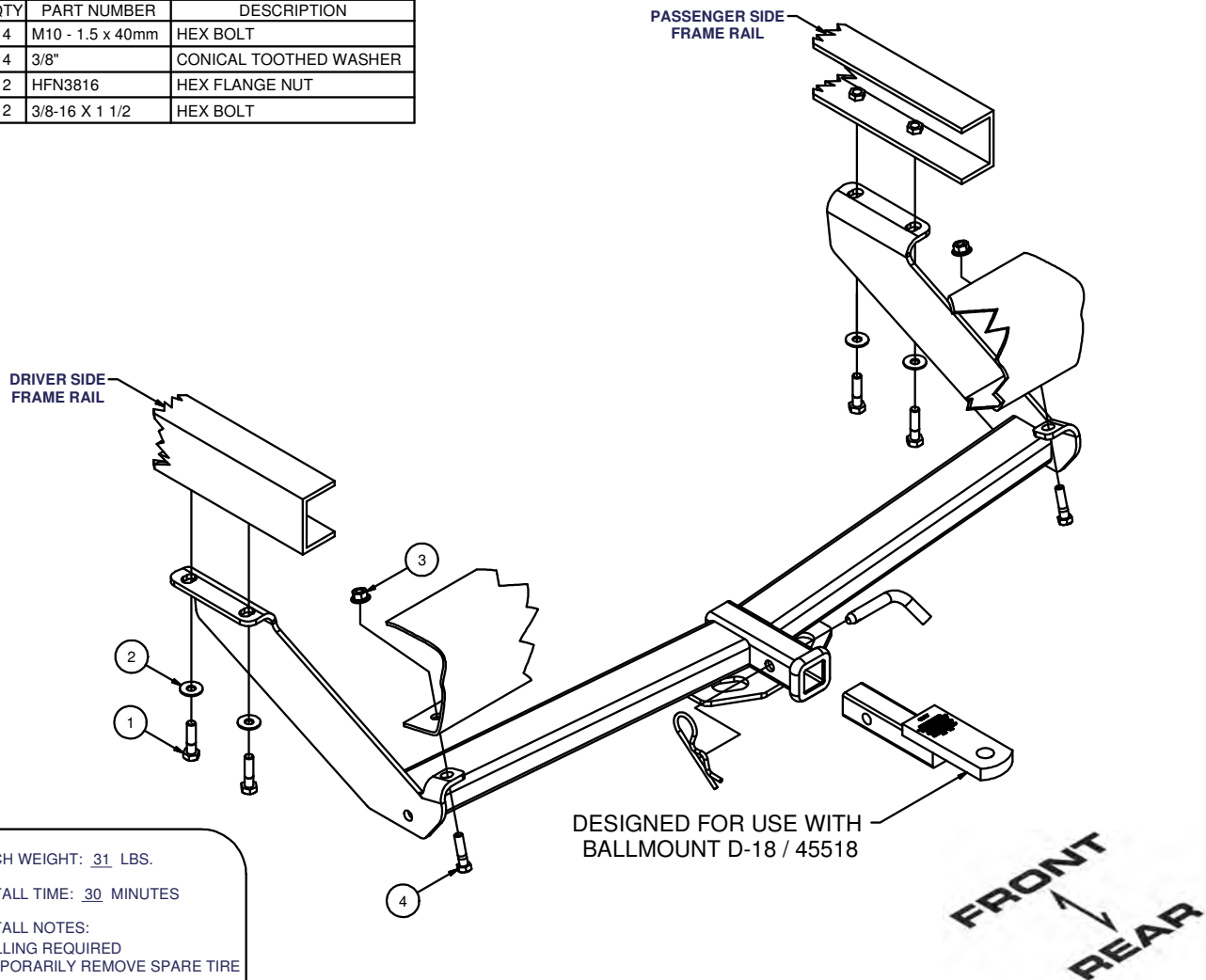


12045**85-05 CHEVY ASTRO/SAFARI**

10/5/2012

GROSS LOAD CAPACITY WHEN USED AS A WEIGHT CARRYING HITCH: 3,500 LBS. TRAILER WEIGHT & 350 LBS. TONGUE WEIGHT.
*****DO NOT EXCEED VEHICLE MANUFACTURER'S RECOMMENDED TOWING CAPACITY.*****

Parts List			
ITEM	QTY	PART NUMBER	DESCRIPTION
1	4	M10 - 1.5 x 40mm	HEX BOLT
2	4	3/8"	CONICAL TOOTHED WASHER
3	2	HFN3816	HEX FLANGE NUT
4	2	3/8-16 X 1 1/2	HEX BOLT

HITCH WEIGHT: 31 LBS.INSTALL TIME: 30 MINUTES

INSTALL NOTES:

- DRILLING REQUIRED
- TEMPORARILY REMOVE SPARE TIRE

INSTALLATION STEPS

1. Removing the spare tire may be necessary on some models. When done installing remember to reinstall spare tire.
2. Remove two bumper bracket bolts that hold bracket to vehicle frame, repeat on other side. Note: Bumper brackets remain in place.
3. Install hitch to vehicle by inserting two M10 bolts with 3/8" conical washers through the two forward holes on arm flange fasten to existing weld nuts hand tight. Note: hitch must be lifted into position at an angle so that flanges of the hitch will clear flanges on bumper bracket.
4. Using hitch as a template, drill 3/8" dia. hole in bumper, fasten with 3/8-16 hex bolt and 3/8-16 hex flange nut.
5. Torque all 3/8 fasteners to 45 lb.-ft.

PERIODICALLY CHECK THIS RECEIVER HITCH TO ENSURE THAT ALL FASTENERS ARE TIGHT AND THAT ALL STRUCTURAL COMPONENTS ARE SOUND.

Curt Manufacturing Inc., warrants this product to be free of defects in material and/or workmanship at the time of retail purchase by the original purchaser. If the product is found to be defective, Curt Manufacturing Inc., may repair or replace the product, at their option, when the product is returned, prepaid, with proof of purchase. Alteration to, misuse of, or improper installation of this product voids the warranty. Curt Manufacturing Inc.'s liability is limited to repair or replacement of products found to be defective, and specifically excludes liability for incidental or consequential loss or damage.