

**12056****MERCEDES-BENZ R-320/R350/R500**

1/22/2014

GAS ONLY

**GROSS LOAD CAPACITY WHEN USED AS A WEIGHT CARRYING HITCH: 2,500 LBS. TRAILER WEIGHT & 250 LBS. TONGUE WEIGHT.**

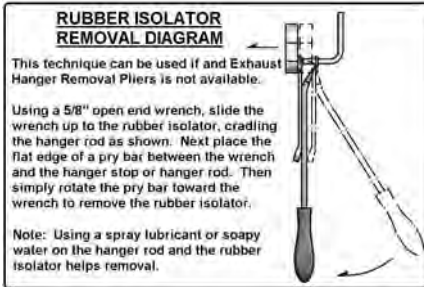
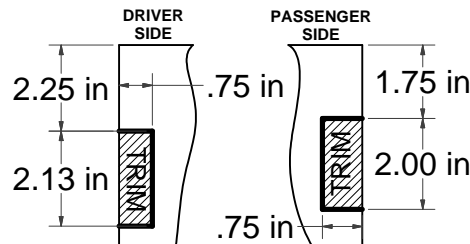
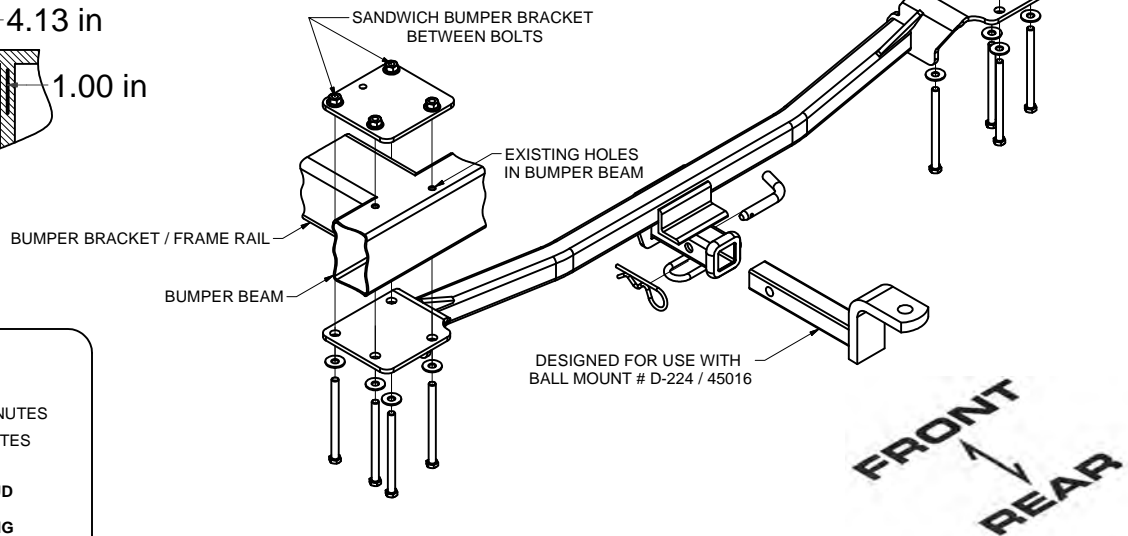
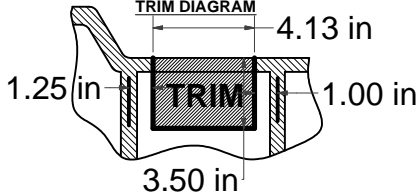
\*\*\*DO NOT EXCEED VEHICLE MANUFACTURER'S RECOMMENDED TOWING CAPACITY.\*\*\*

**WARNING: ALL NON-TRAILER LOADS APPLIED TO THIS PRODUCT MUST BE SUPPORTED BY AUXILIARY STABILIZING STRAPS.**

\*\* FAILURE TO PROPERLY SUPPORT NON-TRAILER LOADS WILL VOID PRODUCT WARRANTY\*\*

**HAVING INSTALLATION QUESTIONS? CALL TECHNICAL SUPPORT AT 1-800-798-0813**

Parts List			
ITEM	QTY	PART NUMBER	DESCRIPTION
1	8	3_8 - 16 x 5 1_2 HEX	HEX BOLT
2	8	3/8"	CONICAL TOOTHED WASHER

**MAIN BODY CLEARANCE TRIM DIAGRAM****RECEIVER TUBE CLEARANCE TRIM DIAGRAM****HITCH WEIGHT:** .31 LBS.**INSTALL TIME**

PROFESSIONAL: 60 MINUTES

NOVICE (DIY): 120 MINUTES

**INSTALL NOTES:**

- REMOVE TRUNK SHROUD
- LOWER EXHAUST
- TRUNK SHIELD TRIMMING REQUIRED

**INSTALLATION STEPS**

1. Remove (4) 6mm x 1.0 and (7) plastic nuts that hold on the plastic trunk shield.
2. Lower exhaust on both sides by removing the (4) rearmost exhaust hangers.
3. Remove (2) carriage bolts from bumper beam, both sides.
4. Place backing plates above bumper beam as shown.
5. Raise hitch into position, and loosely install supplied hex bolts and conical toothed washers as shown.
6. Torque all 3/8" fasteners to 30 lb-ft.
7. Reinstall exhaust hangers.
8. When reinstalling plastic shield, trimming is required as shown in above diagrams. If customer chooses to omit the shield, return to customer.

PERIODICALLY CHECK THIS RECEIVER HITCH TO ENSURE THAT ALL FASTENERS ARE TIGHT AND THAT ALL STRUCTURAL COMPONENTS ARE SOUND.

Curt Manufacturing Inc., warrants this product to be free of defects in material and/or workmanship at the time of retail purchase by the original purchaser. If the product is found to be defective, Curt Manufacturing Inc., may repair or replace the product, at their option, when the product is returned, prepaid, with proof of purchase. Alteration to, misuse of, or improper installation of this product voids the warranty. Curt Manufacturing Inc.'s liability is limited to repair or replacement of products found to be defective, and specifically excludes liability for incidental or consequential loss or damage.