



Safety glasses should be worn at all times while installing this product.

YEARS:

MAKE: CHEVROLET, BUICK

MODEL: MALIBU, REGAL, LACROSSE CX

STYLE: SEDAN

WARNING: NEVER EXCEED YOUR VEHICLE MANUFACTURER'S RECOMMENDED TOWING CAPACITY






WEIGHT CARRYING:
 TRAILER WEIGHT: 3500 LBS.
 TONGUE WEIGHT: 350 LBS.

WARNING:
 WE RECOMMEND THE USE OF 18050 STABILIZING STRAPS FOR ALL NON-TRAILER (WHEEL-LESS) LOADS. PLEASE SEE THE CURT CATALOG OR VISIT US ONLINE AT WWW.CURTMFG.COM FOR FURTHER INFORMATION.

INSTALLATION TIME: 25 MIN.

THE INSTALL TIME LISTED IS FOR PROFESSIONAL INSTALLERS. IF YOU ARE HESITANT TO UNDERTAKE THIS TASK ON YOUR OWN, CONTACT AN AUTHORIZED CURT INSTALLER FOR ADDITIONAL ASSISTANCE.


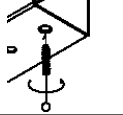
INSTALLATION REQUIRES:

 RATCHET	 TORQUE WRENCH	 13mm 3/4 in SOCKET
 WIRE PIPE BRUSH	 SAFETY GLASSES	

INSTALLATION TIPS:

- BEFORE YOU BEGIN INSTALLATION, READ ALL INSTRUCTIONS THOROUGHLY.
- TO EASE INSTALLATION, 2 PEOPLE MAY BE REQUIRED.
- USING PROPER TOOLS WILL GREATLY IMPROVE THE QUALITY OF THE INSTALL AND REDUCE THE TIME REQUIRED.
- NEED HELP OR HAVE SOME QUESTIONS? CALL TECHNICAL SUPPORT AT 800.798.0813

LEVEL OF DIFFICULTY: EASY

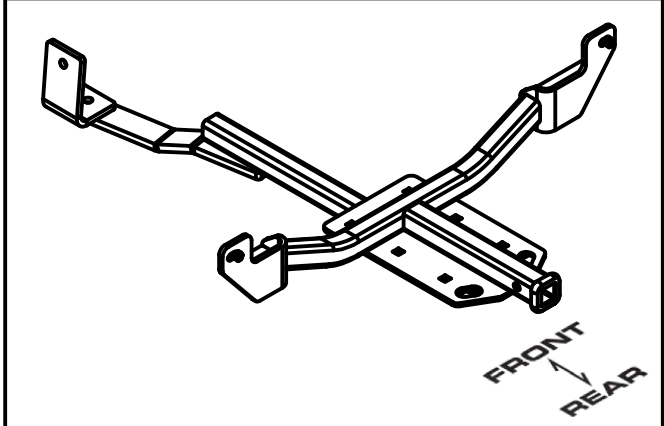
EASY	MODERATE	CHALLENGING
	-NO DRILLING REQUIRED	
	-USE EXISTING WELDNUTS	

VEHICLE PHOTO:



REPRESENTATIVE PHOTO

HITCH ILLUSTRATION:



MAKE SURE YOUR HITCH MATCHES

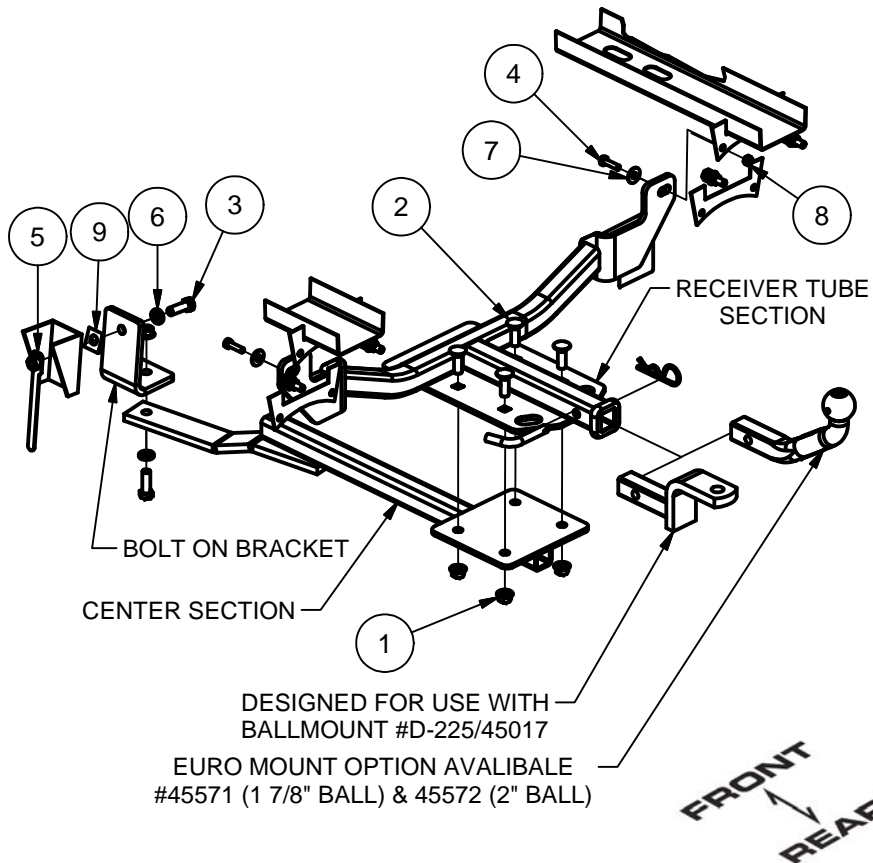
PERIODICALLY CHECK THIS RECEIVER HITCH TO ENSURE ALL FASTENERS ARE TIGHT AND ALL STRUCTURAL COMPONENTS ARE SOUND

CURT Manufacturing LLC. warrants this product to be free of defects in material and/or workmanship at the time of retail purchase by the original purchaser. If the product is found to be defective, Curt Manufacturing LLC. may repair or replace the product at their option, when the product is returned, prepaid, with proof of purchase. Alteration to, misuse of, or improper installation of this product voids the warranty. Curt Manufacturing LLC.'s liability is limited to repair or replacement of products found to be defective, and specifically excludes liability for incidental or consequential loss or damage.

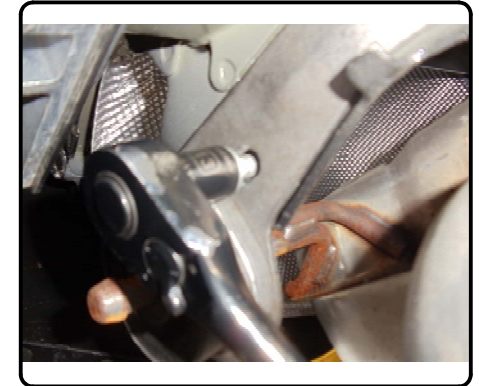
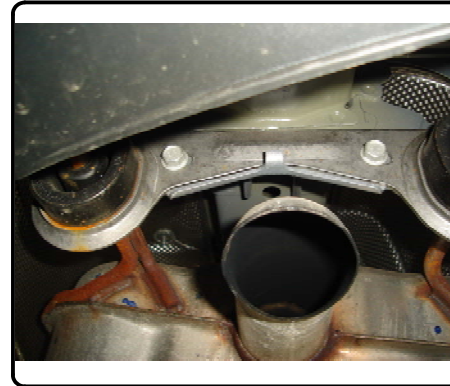
For more information log onto www.curtmfg.com, & for helpful towing tips log onto www.hitchinfo.com

INSTALLATION WALKTHROUGH:

Parts List			
ITEM	QTY	PART NUMBER	DESCRIPTION
1	5	HFN 1213, GR8	HEX FLANGE NUT
2	4	1/2-13 x 1 1/2, GR8	CARRIAGE BOLT
3	2	1_2 - 13 x 1 1_2 HEX, GR8	HEX BOLT
4	2	M8 - 1.25 x 30 HEX BOLT	HEX HEAD BOLT
5	1	1/2-13	HANDLE NUT
6	2	1/2"	LOCK WASHER
7	2	3/8"	CONICAL TOOTHED WASHER
8	2	M8-1.25	HEX NUT
9	1	CM-SP38	1/2" WEDGE SPACER



1. Remove (1) 8mm bolt from the exhaust hanger bracket on each side of the vehicle, and clean weldnut.

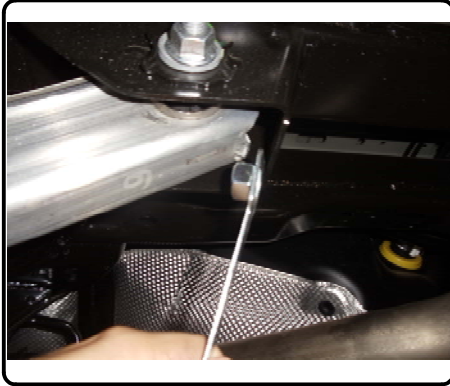


2. Raise receiver tube section of hitch into place and use the 8mm bolts and conical toothed washers provided and secure into place.

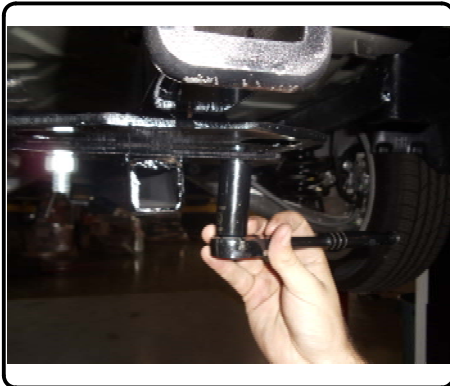


INSTALLATION WALKTHROUGH:

3. Assemble the bolt on bracket, as shown by placing the handle nut in the suspension housing and securing with a 1/2" bolt and lockwasher.



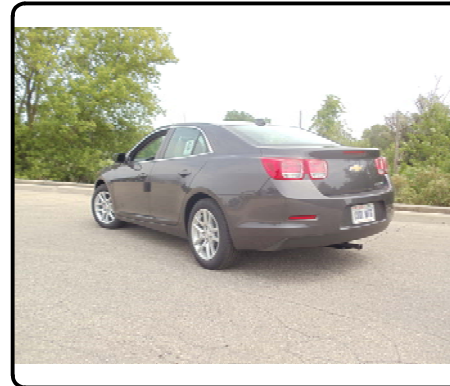
4. Raise the center section of the hitch into place and secure the (5) 1/2" hardware that hold it into place. Torque 1/2" bolt with handlenut to 50lb-ft, all other 1/2" hardware to 75lb-ft.



5. Loosely secure the 8mm nut to the back side of the frame bracket to hold the exhaust bracket in place. Torque 8mm hardware to 20lb-ft.



6. Installation is complete.



12087

BUICK REGAL, LACROSSE CX, CHEVROLET MALIBU

8/23/2012

GROSS LOAD CAPACITY WHEN USED AS A WEIGHT CARRYING HITCH: 3500 LBS. TRAILER WEIGHT & 350 LBS. TONGUE WEIGHT.

DO NOT EXCEED VEHICLE MANUFACTURER'S RECOMMENDED TOWING CAPACITY.

WARNING: ALL NON-TRAILER LOADS APPLIED TO THIS PRODUCT MUST BE SUPPORTED BY 18050 STABILIZING STRAPS.

** FAILURE TO PROPERLY SUPPORT NON-TRAILER LOADS WILL VOID PRODUCT WARRANTY**

HAVING INSTALLATION QUESTIONS? CALL TECHNICAL SUPPORT AT 1-800-798-0813

Parts List			
ITEM	QTY	PART NUMBER	DESCRIPTION
1	5	HFN 1213, GR8	HEX FLANGE NUT
2	4	1/2-13 x 1 1/2, GR8	CARRIAGE BOLT
3	2	1_2 - 13 x 1 1_2 HEX, GR8	HEX BOLT
4	2	M8 - 1.25 x 30 HEX BOLT	HEX HEAD BOLT
5	1	1/2-13	HANDLE NUT
6	2	1/2"	LOCK WASHER
7	2	3/8"	CONICAL TOOTHED WASHER
8	2	M8-1.25	HEX NUT
9	1	CM-SP38	1/2" WEDGE SPACER

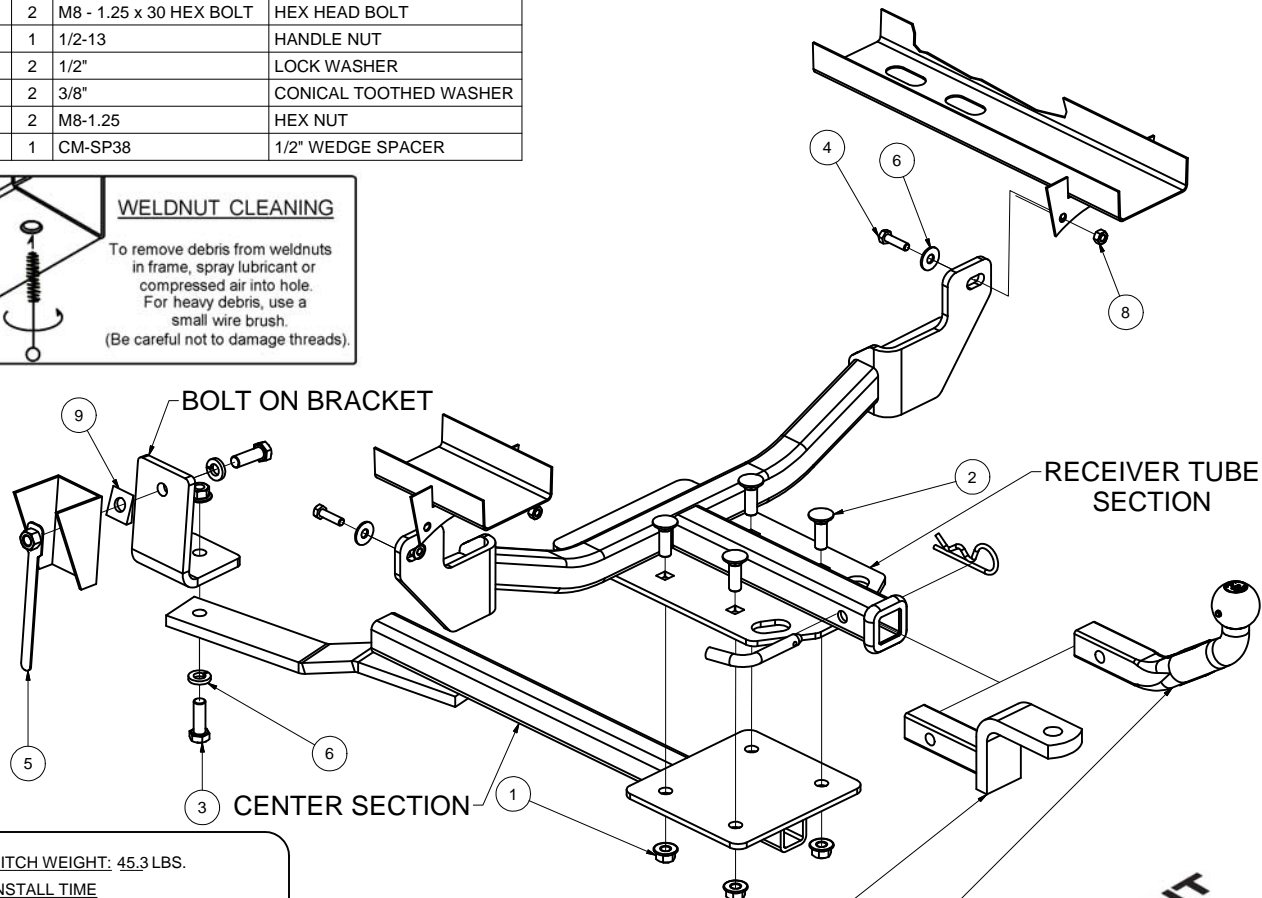
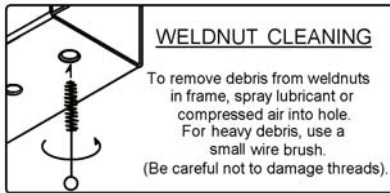
TOOLS REQUIRED

RATCHET

TORQUE WRENCH

13mm, 3/4" SOCKET

WIRE PIPE BRUSH



HITCH WEIGHT: 45.3 LBS.

INSTALL TIME

PROFESSIONAL: 25 MINUTES

NOVICE (DIY): 55 MINUTES

INSTALL NOTES:

-REPLACE EXISTING BOLT

DESIGNED FOR USE WITH
BALLMOUNT #D-225/45017
EURO MOUNT OPTION AVALIBALE
#45571 (1 7/8" BALL) & 45572 (2" BALL)

INSTALLATION STEPS

1. Remove (1) 8mm bolt from the exhaust hanger bracket on each side of the vehicle, and clean weldnut.
2. Raise receiver tube section of hitch into place and use the 8mm bolts and conical toothed washers provided and secure into place.
3. Assemble the "bolt on bracket", as shown by placing the handle nut in the suspension housing and securing with a 1/2" bolt and lockwasher.
4. Raise the "center section" of the hitch into place and secure the (5) 1/2" hardware that hold it into place. Torque 1/2" bolt with handlenut to 50lb-ft, all other 1/2" hardware to 75lb-ft.
5. Loosely secure the 8mm nut to the back side of the frame bracket to hold the exhaust bracket in place. Torque 8mm hardware to 20lb-ft.

PERIODICALLY CHECK THIS RECEIVER HITCH TO ENSURE THAT ALL FASTENERS ARE TIGHT AND THAT ALL STRUCTURAL COMPONENTS ARE SOUND.

Curt Manufacturing LLC., warrants this product to be free of defects in material and/or workmanship at the time of retail purchase by the original purchaser. If the product is found to be defective, Curt Manufacturing LLC., may repair or replace the product, at their option, when the product is returned, prepaid, with proof of purchase. Alteration to, misuse of, or improper installation of this product voids the warranty. Curt Manufacturing LLC.'s liability is limited to repair or replacement of products found to be defective, and specifically excludes liability for incidental or consequential loss or damage.