

12097

VOLKSWAGEN TIGUAN

6/6/2016

GROSS LOAD CAPACITY WHEN USED AS A WEIGHT CARRYING HITCH: 3,500 LBS. TRAILER WEIGHT & 350 LBS. TONGUE WEIGHT.

DO NOT EXCEED VEHICLE MANUFACTURER'S RECOMMENDED TOWING CAPACITY.

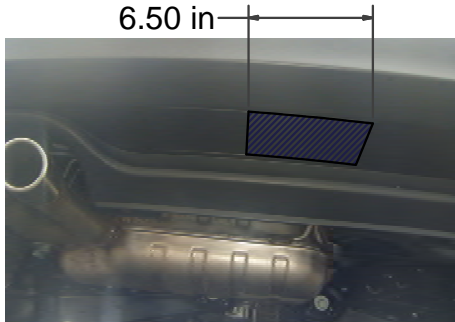
WARNING: ALL NON-TRAILER LOADS APPLIED TO THIS PRODUCT MUST BE SUPPORTED BY 18050 STABILIZING STRAPS.

** FAILURE TO PROPERLY SUPPORT NON-TRAILER LOADS WILL VOID PRODUCT WARRANTY**

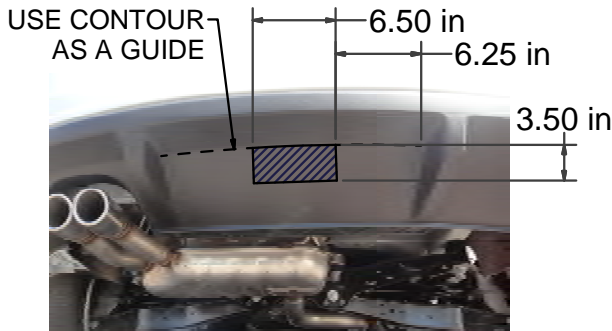
HAVING INSTALLATION QUESTIONS? CALL TECHNICAL SUPPORT AT 1-800-798-0813

| Parts List | | | |
|------------|-----|--------------------|------------------------|
| ITEM | QTY | PART NUMBER | DESCRIPTION |
| 1 | 4 | 3/8" | CONICAL TOOTHED WASHER |
| 2 | 4 | M10 - 1.5 x 70 HEX | HEX BOLT |

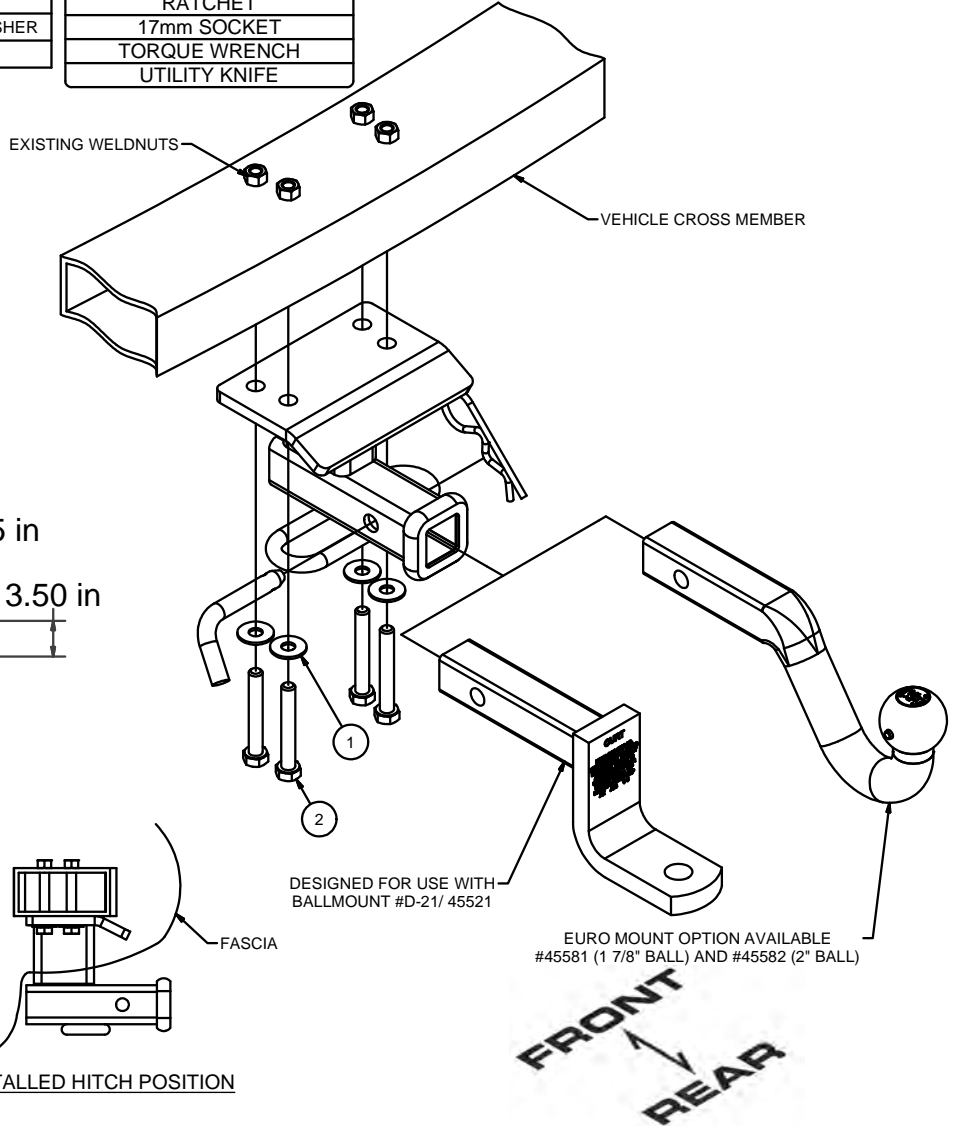
| TOOLS REQUIRED |
|----------------|
| RATCHET |
| 17mm SOCKET |
| TORQUE WRENCH |
| UTILITY KNIFE |



TRIM DIAGRAM



R-LINE TRIM DIAGRAM



DESIGNED FOR USE WITH BALLMOUNT #D-21/ 45521

EURO MOUNT OPTION AVAILABLE #45581 (1 7/8" BALL) AND #45582 (2" BALL)

FRONT
↑
REAR

HITCH WEIGHT: 7 LBS.

INSTALL TIME

PROFESSIONAL: 20 MINUTES

NOVICE (DIY): 40 MINUTES

INSTALL NOTES:

- FASCIA TRIMMING
- NO DRILLING

INSTALLED HITCH POSITION

INSTALLATION STEPS

1. Locate existing grooved area on bottom of fascia. Trim fascia as shown in TRIM DIAGRAM. On R-Line models locate contour in bottom of fascia. Trim as shown in R-LINE TRIM DIAGRAM.
2. Raise hitch into position.
3. Attach hitch to vehicle's cross member using the hardware supplied and the vehicle's existing weldnuts.
4. Torque all M10 hardware to 45 ft-lbs.

PERIODICALLY CHECK THIS RECEIVER HITCH TO ENSURE THAT ALL FASTENERS ARE TIGHT AND THAT ALL STRUCTURAL COMPONENTS ARE SOUND.

Curt Manufacturing LLC., warrants this product to be free of defects in material and/or workmanship at the time of retail purchase by the original purchaser. If the product is found to be defective, Curt Manufacturing LLC., may repair or replace the product, at their option, when the product is returned, prepaid, with proof of purchase. Alteration to, misuse of, or improper installation of this product voids the warranty. Curt Manufacturing LLC.'s liability is limited to repair or replacement of products found to be defective, and specifically excludes liability for incidental or consequential loss or damage.