

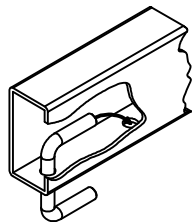
12098

90-93 CHEVROLET LUMINA APV, 90-96 OLDSMOBILE SILHOUETTE VAN
90-93 PONTIAC TRANS SPORT VAN

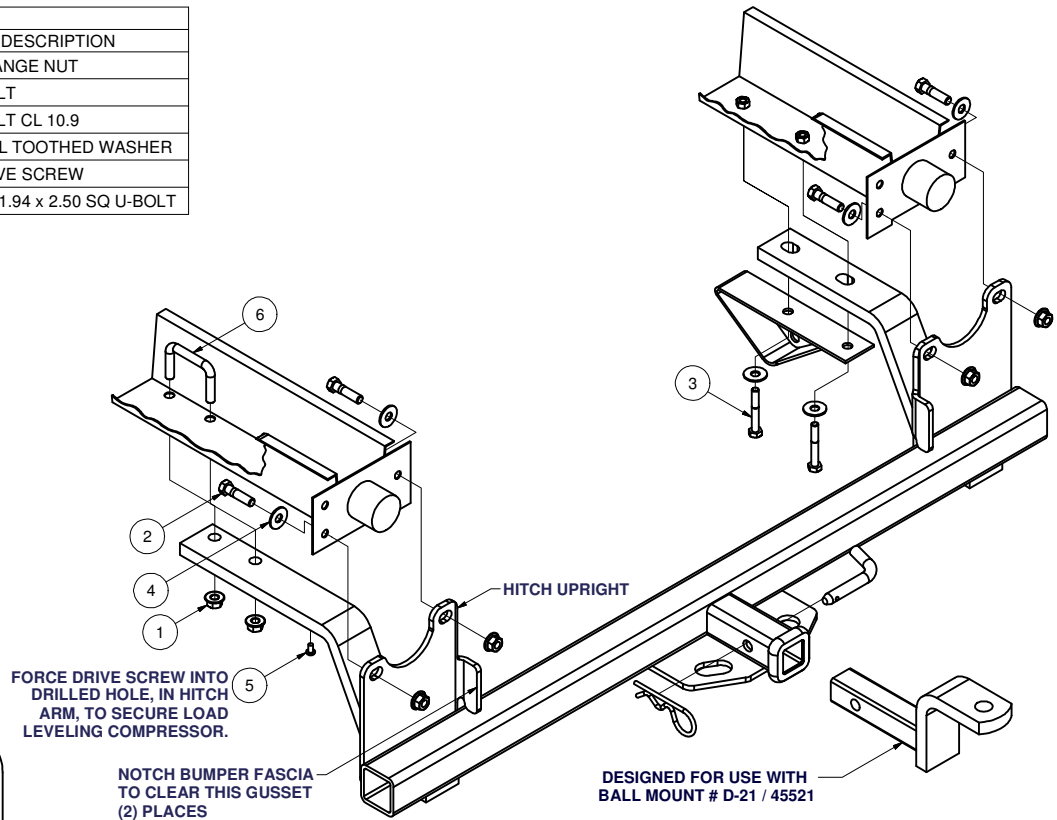
11/26/2012

GROSS LOAD CAPACITY WHEN USED AS A WEIGHT CARRYING HITCH: 3,500 LBS. TRAILER WEIGHT & 350 LBS. TONGUE WEIGHT.
*****DO NOT EXCEED VEHICLE MANUFACTURER'S RECOMMENDED TOWING CAPACITY.*****

Parts List			
ITEM	QTY	PART NUMBER	DESCRIPTION
1	6	HFN3816	HEX FLANGE NUT
2	4	3/8-16 X 1 1/2	HEX BOLT
3	2	M8 - 1.25 x 55mm	HEX BOLT CL 10.9
4	6	3/8"	CONICAL TOOTHED WASHER
5	1	32257	#12 DRIVE SCREW
6	1	CM-3801-UBS	3/8-16 x 1.94 x 2.50 SQ U-BOLT



U-BOLT INSTALLATION FIGURE



HITCH WEIGHT: 40 LBS.

INSTALL TIME: 45 MINUTES

INSTALL NOTES:

Drilling required, relocation of exhaust & load leveling compressor may be required.

INSTALLATION STEPS

1. Remove exhaust hanger bracket, return fasteners to vehicle owner.
2. For vehicles equipped with a load leveling compressor (Located on driver side):
 - A. Use 10mm and 5mm sockets to remove six screws that attach the compressor and plastic shield to the vehicle frame. **(Note: Do not let compressor hang unsupported during hitch installation, hang compressor from side of vehicle frame with a wire.)**
 - B. Reinstall small screw into bottom of the frame rail and energy absorber (E/A).
3. Bend down sheet metal flange on vehicle end panel that is below each E/A unit.
4. Remove two lower energy absorber (E/A) attachment bolts from each side of the vehicle, total of four. Return fasteners to vehicle owner. Enlarge these four holes to 3/8" diameter.
5. Raise hitch into position and notch bumper fascia to clear gusset on hitch. Using the hitch as a template drill two holes in the bottom of the driver side frame rail. Install a 3/8" U-bolt as shown in figure above.
6. Raise hitch into position being careful not to push U-bolt back into frame. Loosely install flange nuts.
7. Loosely install 3/8" hex bolts and washers through E/A mounting surface and into holes on hitch upright.
8. Loosely install M8 x 55mm bolts through exhaust hanger bracket and hitch side arm into the existing weld nuts inside frame.
9. Center hitch on vehicle and tighten all fasteners. Torque M8 fasteners to 23 lb.-ft. Torque 3/8" fasteners to 45 lb.-ft. Torque the 3/8" U-bolt to 23 lb.-ft.
10. For vehicles equipped with a load leveling compressor:
 - A: Reposition compressor 5/8" below original position. Using the compressor bracket as a template, drill new holes with a 3/16" diameter drill bit. Reinstall sheet metal screws removed in step 2A.
 - B: Drill a 3/16" diameter 7/16" deep hole into the bottom of driver side hitch arm. Install drive screw with a hammer to secure the compressor.

PERIODICALLY CHECK THIS RECEIVER HITCH TO ENSURE THAT ALL FASTENERS ARE TIGHT AND THAT ALL STRUCTURAL COMPONENTS ARE SOUND.

Curt Manufacturing Inc., warrants this product to be free of defects in material and/or workmanship at the time of retail purchase by the original purchaser. If the product is found to be defective, Curt Manufacturing Inc., may repair or replace the product, at their option, when the product is returned, prepaid, with proof of purchase. Alteration to, misuse of, or improper installation of this product voids the warranty. Curt Manufacturing Inc.'s liability is limited to repair or replacement of products found to be defective, and specifically excludes liability for incidental or consequential loss or damage.