

12105**95-98 MERCURY VILLAGER / 93-98 NISSAN QUEST**

10/8/2012

GROSS LOAD CAPACITY WHEN USED AS A WEIGHT CARRYING HITCH: 3500 LBS. TRAILER WEIGHT & 350 LBS. TONGUE WEIGHT.

*****DO NOT EXCEED VEHICLE MANUFACTURER'S RECOMMENDED TOWING CAPACITY.*****

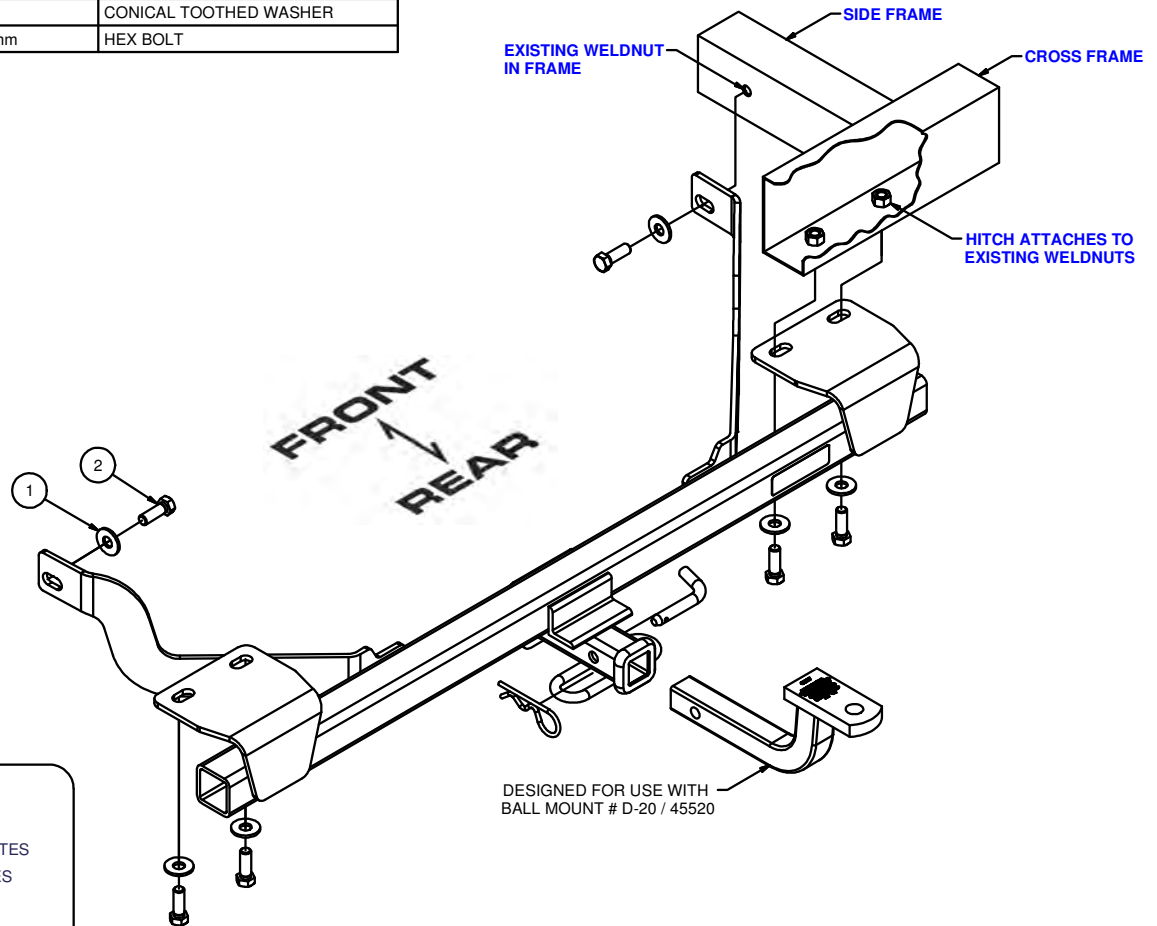
WARNING: ALL NON-TRAILER LOADS APPLIED TO THIS PRODUCT MUST BE SUPPORTED BY AUXILIARY STABILIZING STRAPS.

**** FAILURE TO PROPERLY SUPPORT NON-TRAILER LOADS WILL VOID PRODUCT WARRANTY****

HAVING INSTALLATION QUESTIONS? CALL TECHNICAL SUPPORT AT 1-800-798-0813

Parts List

ITEM	QTY	PART NUMBER	DESCRIPTION
1	6	1/2"	CONICAL TOOTHED WASHER
2	6	M12-1.25 x 35mm	HEX BOLT



HITCH WEIGHT: .38 LBS.

INSTALL TIME

PROFESSIONAL: 30 MINUTES

NOVICE (DIY): 60 MINUTES

INSTALL NOTES:

- NO DRILL
- REMOVE SPARE TIRE

INSTALLATION STEPS

1. If there is a trim shield attached to the lower edge of vehicle rear bumper, it must be removed before hitch can be installed. After removing the trim shield, be sure to reinstall all fasteners taken from bumper.
2. Remove the spare tire from its under vehicle storage location. It will be reinstalled after the hitch is in place.
3. Position the hitch up under vehicle so that it will align with the two weldnuts in each end of the vehicle cross member and one weldnut in the inner side of each frame.
4. Bolt the hitch in place using 12mm hex bolts and conical washers at locations shown.
5. Torque all the 12mm bolts to 86 lb.-ft. Failure to tighten bolts as described may result in fastener loss or failure.
6. Reposition the spare tire back into its storage location.

PERIODICALLY CHECK THIS RECEIVER HITCH TO ENSURE THAT ALL FASTENERS ARE TIGHT AND THAT ALL STRUCTURAL COMPONENTS ARE SOUND.

Curt Manufacturing Inc., warrants this product to be free of defects in material and/or workmanship at the time of retail purchase by the original purchaser. If the product is found to be defective, Curt Manufacturing Inc., may repair or replace the product, at their option, when the product is returned, prepaid, with proof of purchase. Alteration to, misuse of, or improper installation of this product voids the warranty. Curt Manufacturing Inc.'s liability is limited to repair or replacement of products found to be defective, and specifically excludes liability for incidental or consequential loss or damage.