

12117

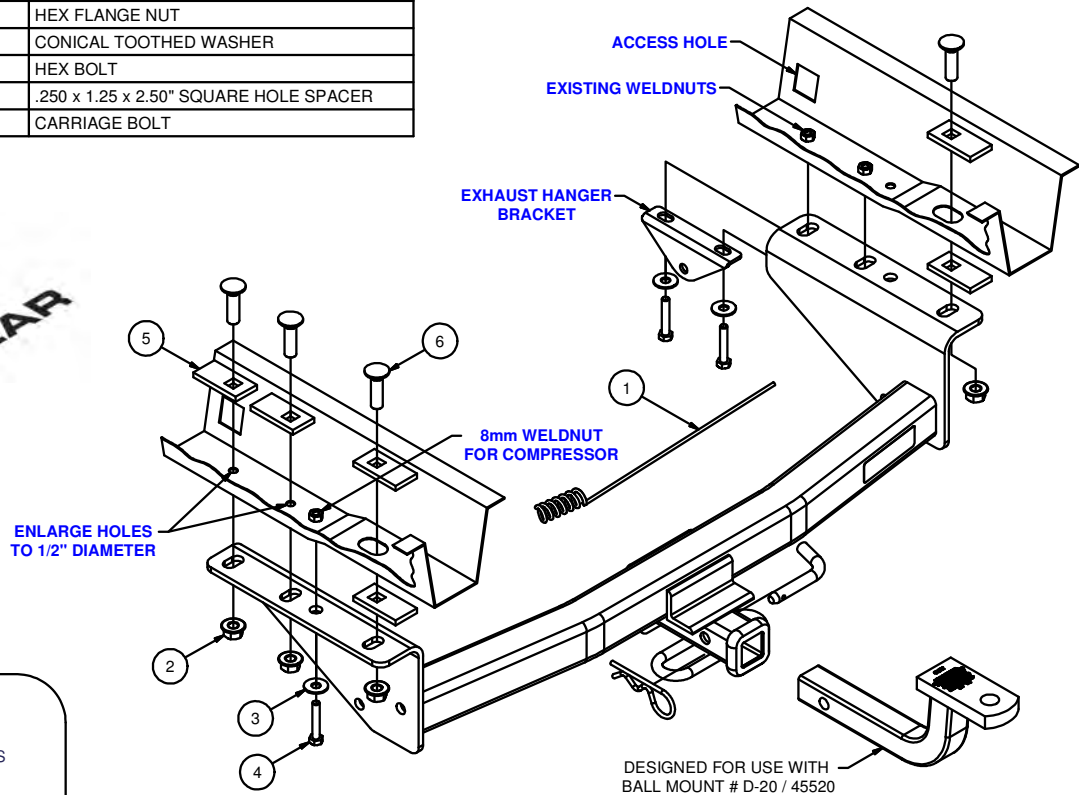
94-96 CHEVY LUMINA VAN, 94-96 PONTIAC TRANS SPORT VAN

11/26/2012

GROSS LOAD CAPACITY WHEN USED AS A WEIGHT CARRYING HITCH: 3,500 LBS. TRAILER WEIGHT & 350 LBS. TONGUE WEIGHT.  
**\*\*\*DO NOT EXCEED VEHICLE MANUFACTURER'S RECOMMENDED TOWING CAPACITY.\*\*\***

Parts List			
ITEM	QTY	PART NUMBER	DESCRIPTION
1	1	1/2"	FISHWIRE TOOL
2	4	HFN 1213	HEX FLANGE NUT
3	3	3/8"	CONICAL TOOTHED WASHER
4	3	M8 - 1.25 x 45	HEX BOLT
5	6	CM-SP17	.250 x 1.25 x 2.50" SQUARE HOLE SPACER
6	4	1/2-13 x 1 3/4	CARRIAGE BOLT

FRONT  
 REAR



HITCH WEIGHT: 31 LBS.

INSTALL TIME: 60 MINUTES

INSTALL NOTES:

Drilling required, fishwire carriage bolts,  
 relocation of load leveling compressor

## INSTALLATION STEPS

- 1) Locate and remove the exhaust hanger bracket from the bottom of the passenger side vehicle frame. It is located approximately 5" from the end of the frame. Discard the two attachment bolts.
- 2) On vehicles equipped with the load leveling compressor located on the driver side frame, some slight relocation will be needed after hitch is installed. Using a 10mm and a 5mm socket, remove the six bolts which attach the compressor and plastic shield to the vehicle frame. **(Note: Do not allow the compressor to hang unsupported. Hang compressor from the side of vehicle frame with a wire while hitch installation is in progress.)**
- 3) Enlarge the two holes, toward front of vehicle, on the driver side frame where the compressor was secured, to accept 1/2" bolts. Do not change the compressors rear attachment U-nut or mounting hole.
- 4) Install three square hole spacers and 1/2" carriage bolts into the driver side frame using a fishwire as shown. All bolts should be hanging down through holes in the vehicle frame. Repeat procedure at hole toward rear of vehicle on the passenger side frame.
- 5) Carefully position the receiver assembly up against the bottom of the vehicle frame so that the previously installed bolts will drop down through the holes in the hitch frame brackets. Loosely secure hitch in place.
- 6) Position the tailpipe hanger bracket up against the bottom of the passenger side plate and bolt in place using the 8mm bolts supplied with the hitch. Bolts will thread into existing weldnuts in vehicle frame.
- 7) Torque the 1/2" bolts to 110 lb.-ft. Torque the 8mm bolts to 23 lb.-ft. Failure to tighten bolts as described may result in fastener loss or failure.
- 8) If the load leveling compressor was removed, re-attach the forward hanger bracket to the side of the vehicle frame using the original sheet metal screw. Attach the rear support bracket to the bottom of the hitch side plate and vehicle frame at the existing weldnut in the frame, using the remaining 8mm hex bolt supplied with the hitch. Using the hole in the vertical compressor support bracket as a guide, drill a 3/16" diameter hole in the side of the vehicle frame. Attach bracket to frame with the original sheet metal screw removed in step 2.

**PERIODICALLY CHECK THIS RECEIVER HITCH TO ENSURE THAT ALL FASTENERS ARE TIGHT AND THAT ALL STRUCTURAL COMPONENTS ARE SOUND.**

Curt Manufacturing Inc., warrants this product to be free of defects in material and/or workmanship at the time of retail purchase by the original purchaser. If the product is found to be defective, Curt Manufacturing Inc., may repair or replace the product, at their option, when the product is returned, prepaid, with proof of purchase. Alteration to, misuse of, or improper installation of this product voids the warranty. Curt Manufacturing Inc.'s liability is limited to repair or replacement of products found to be defective, and specifically excludes liability for incidental or consequential loss or damage.