

12121

# 94-03 FORD WINDSTAR

9/24/2012

GROSS LOAD CAPACITY WHEN USED AS A WEIGHT CARRYING HITCH: 3500 LBS. TRAILER WEIGHT & 350 LBS. TONGUE WEIGHT.

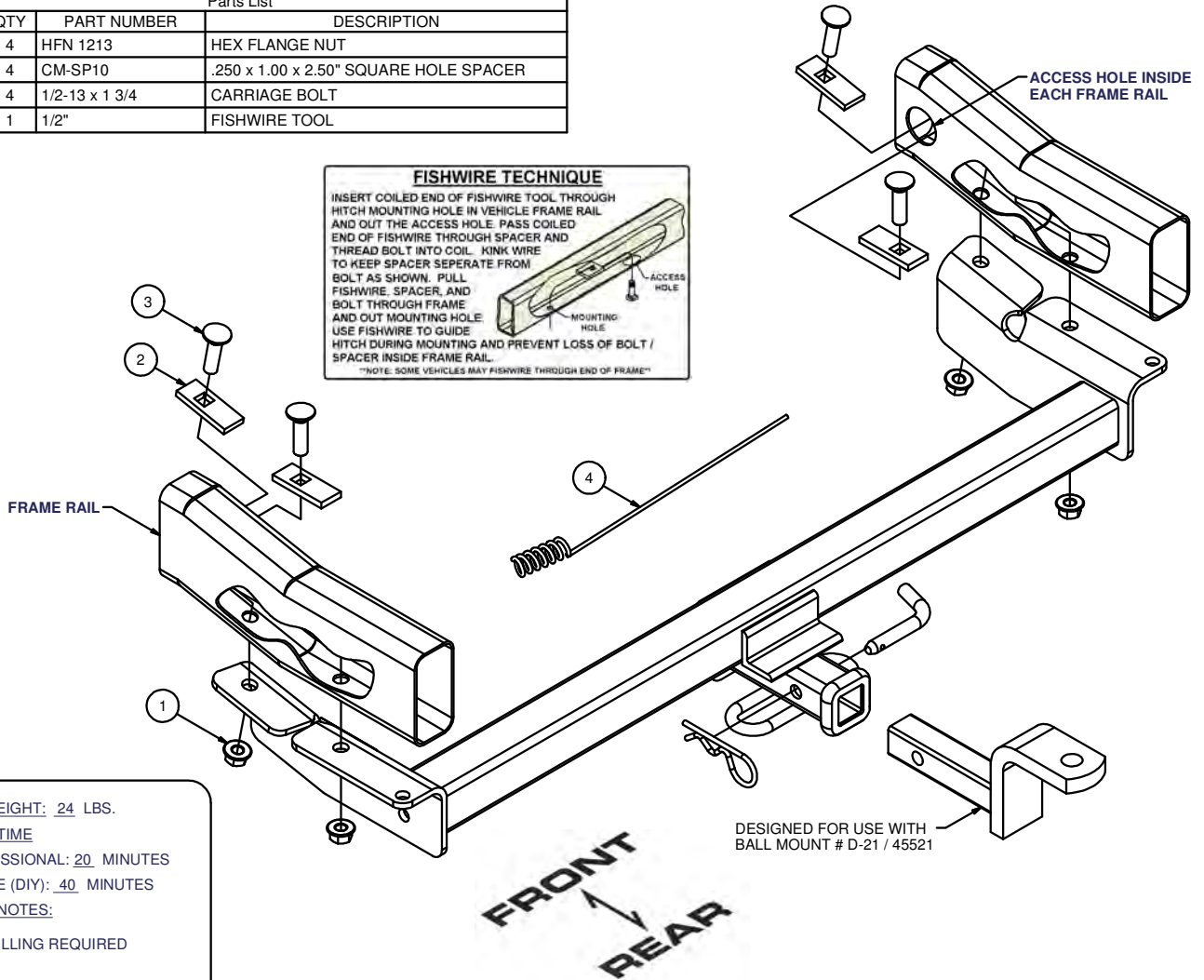
**\*\*\*DO NOT EXCEED VEHICLE MANUFACTURER'S RECOMMENDED TOWING CAPACITY.\*\*\***

**WARNING: ALL NON-TRAILER LOADS APPLIED TO THIS PRODUCT MUST BE SUPPORTED BY AUXILIARY STABILIZING STRAPS.**

**\*\* FAILURE TO PROPERLY SUPPORT NON-TRAILER LOADS WILL VOID PRODUCT WARRANTY\*\***

HAVING INSTALLATION QUESTIONS? CALL TECHNICAL SUPPORT AT 1-800-798-0813

Parts List				
ITEM	QTY	PART NUMBER	DESCRIPTION	
1	4	HFN 1213	HEX FLANGE NUT	
2	4	CM-SP10	.250 x 1.00 x 2.50" SQUARE HOLE SPACER	
3	4	1/2-13 x 1 3/4	CARRIAGE BOLT	
4	1	1/2"	FISHWIRE TOOL	



HITCH WEIGHT: 24 LBS.

INSTALL TIME

PROFESSIONAL: 20 MINUTES

NOVICE (DIY): 40 MINUTES

INSTALL NOTES:

-NO DRILLING REQUIRED

## INSTALLATION STEPS

1. Fishwire 1/2" Carriage bolt and square hole spacer through the access hole in the rear of the vehicle frame and out through the front hole in the frame. Repeat this procedure for the second slotted hole.
2. Raise hitch into position and be careful not to push the carriage bolts back into the frame.
3. Install 1/2" flange nut and hand tighten.
4. Repeat steps 1 through 3 for opposite side.
5. Torque all 1/2" fasteners to 110 ft-lbs.

**PERIODICALLY CHECK THIS RECEIVER HITCH TO ENSURE THAT ALL FASTENERS ARE TIGHT AND THAT ALL STRUCTURAL COMPONENTS ARE SOUND.**

Curt Manufacturing Inc., warrants this product to be free of defects in material and/or workmanship at the time of retail purchase by the original purchaser. If the product is found to be defective, Curt Manufacturing Inc., may repair or replace the product, at their option, when the product is returned, prepaid, with proof of purchase. Alteration to, misuse of, or improper installation of this product voids the warranty. Curt Manufacturing Inc.'s liability is limited to repair or replacement of products found to be defective, and specifically excludes liability for incidental or consequential loss or damage.