

**12125****95-99 CHEVY MONTE CARLO (ALL MODELS)  
95-00 CHEVY LUMINA (ALL MODELS)**

1/22/2013

**GROSS LOAD CAPACITY WHEN USED AS A WEIGHT CARRYING HITCH: 3,500 LBS. TRAILER WEIGHT & 300 LBS. TONGUE WEIGHT.**

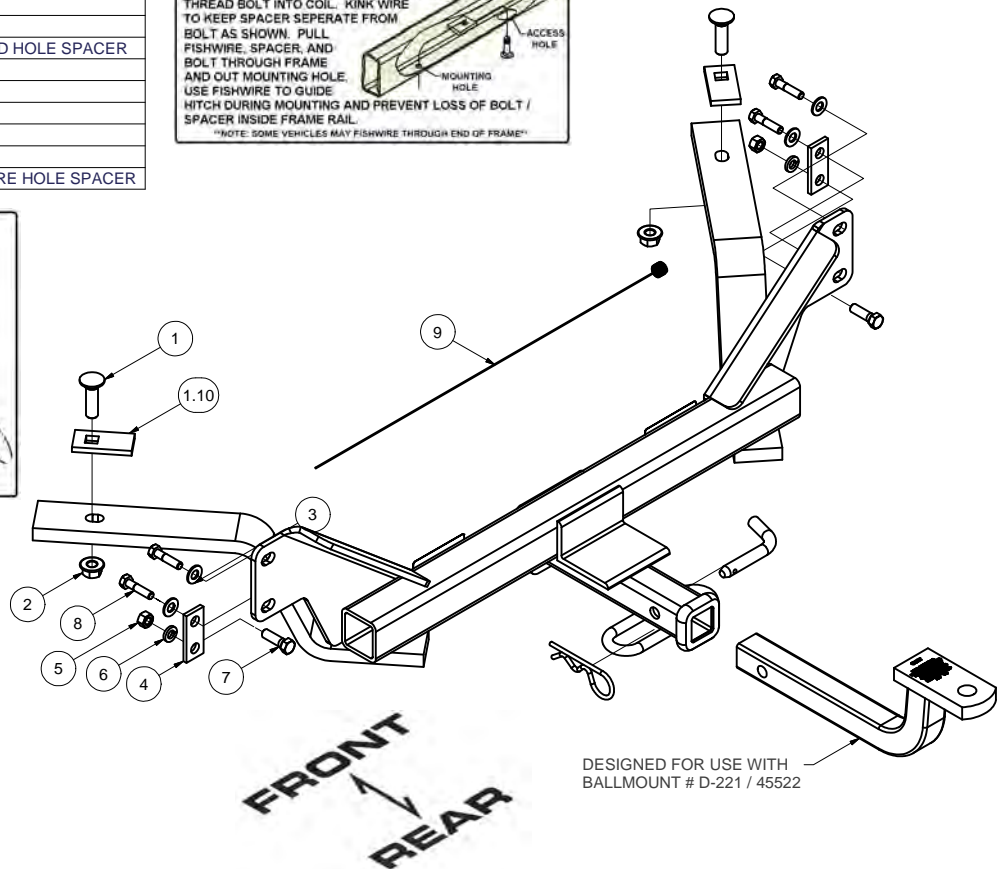
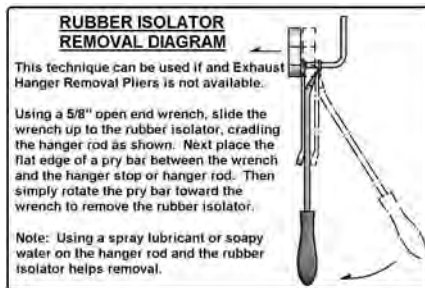
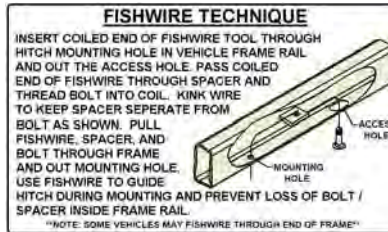
\*\*\*DO NOT EXCEED VEHICLE MANUFACTURER'S RECOMMENDED TOWING CAPACITY.\*\*\*

**WARNING: ALL NON-TRAILER LOADS APPLIED TO THIS PRODUCT MUST BE SUPPORTED BY AUXILIARY STABILIZING STRAPS.**

\*\* FAILURE TO PROPERLY SUPPORT NON-TRAILER LOADS WILL VOID PRODUCT WARRANTY\*\*

**HAVING INSTALLATION QUESTIONS? CALL TECHNICAL SUPPORT AT 1-800-798-0813**

Parts List			
ITEM	QTY	PART NUMBER	DESCRIPTION
1	2	1/2-13 x 1 3/4	CARRIAGE BOLT
2	2	HFN 1213	HEX FLANGE NUT
3	4	3/8"	WASHER
4	2	CM-SP35	.188 x 1.00 x 2.38" ROUND HOLE SPACER
5	2	3/8 - 16	HEX NUT
6	2	3/8"	LOCK WASHER
7	2	3/8 - 16 x 1 1/4	HEX BOLT
8	4	M8-1.25 x 35	HEX BOLT
9	1	1_2 FISHWIRE	1/2" FISHWIRE
10	2	CM-SP17	.250 x 1.25 x 2.50" SQUARE HOLE SPACER



HITCH WEIGHT: 41 LBS.

**INSTALL TIME**

PROFESSIONAL: 45 MINUTES

NOVICE (DIY): 90 MINUTES

**INSTALL NOTES:**

-LOWER EXHAUST

**INSTALLATION STEPS**Note: For dual exhaust systems repeat steps for both sides.

- 1) Lower the exhaust system by unbolting the M8 exhaust hanger/bumper bracket bolts.  
Note: Make sure to support the bumper, do not remove inboard top M8 bolts at this time.
- 2) Loosely reinstall only the existing M8 bolts(s) through the outboard weldnut(s).
- 3) Remove the remaining inboard bumper bracket bolts, and discard the four existing M8 bolts.
- 4) Fishwire 1/2" carriage bolt and SP17 spacers through large slots.
- 5) Raise hitch into position and loosely install M8 fasteners provided, through blocks, hitch, and bumper brackets, into the existing weldnut.
- 6) Install 1/2" flange nuts onto carriage bolts that were fishwired in step 4.
- 7) Disconnect hanger bracket(s) from exhaust system(s), modify exhaust hanger bracket(s) by cutting inboard side of crossmember.
- 8) Reinstall exhaust system(s) to hanger brackets and install exhaust hanger fasteners.
- 9) Torque 1/2" fasteners to 110 LB.-FT., 3/8" fasteners to 45 LB.-FT., and M8 fasteners to 23 LB.-FT.

PERIODICALLY CHECK THIS RECEIVER HITCH TO ENSURE THAT ALL FASTENERS ARE TIGHT AND THAT ALL STRUCTURAL COMPONENTS ARE SOUND.

Curt Manufacturing Inc., warrants this product to be free of defects in material and/or workmanship at the time of retail purchase by the original purchaser. If the product is found to be defective, Curt Manufacturing Inc., may repair or replace the product, at their option, when the product is returned, prepaid, with proof of purchase. Alteration to, misuse of, or improper installation of this product voids the warranty. Curt Manufacturing Inc.'s liability is limited to repair or replacement of products found to be defective, and specifically excludes liability for incidental or consequential loss or damage.