

12181

1983-00 MITSUBISHI MONTERO, 1989-94 ISUZU AMIGO,
1987-89 DODGE & PLYMOUTH RAIDER,
1988-91 ISUZU TROOPER, 1991-97 TOYOTA LAND CRUISER

10/15/2012

GROSS LOAD CAPACITY WHEN USED AS A WEIGHT CARRYING HITCH: 3,500 LBS. TRAILER WEIGHT & 300 LBS. TONGUE WEIGHT.

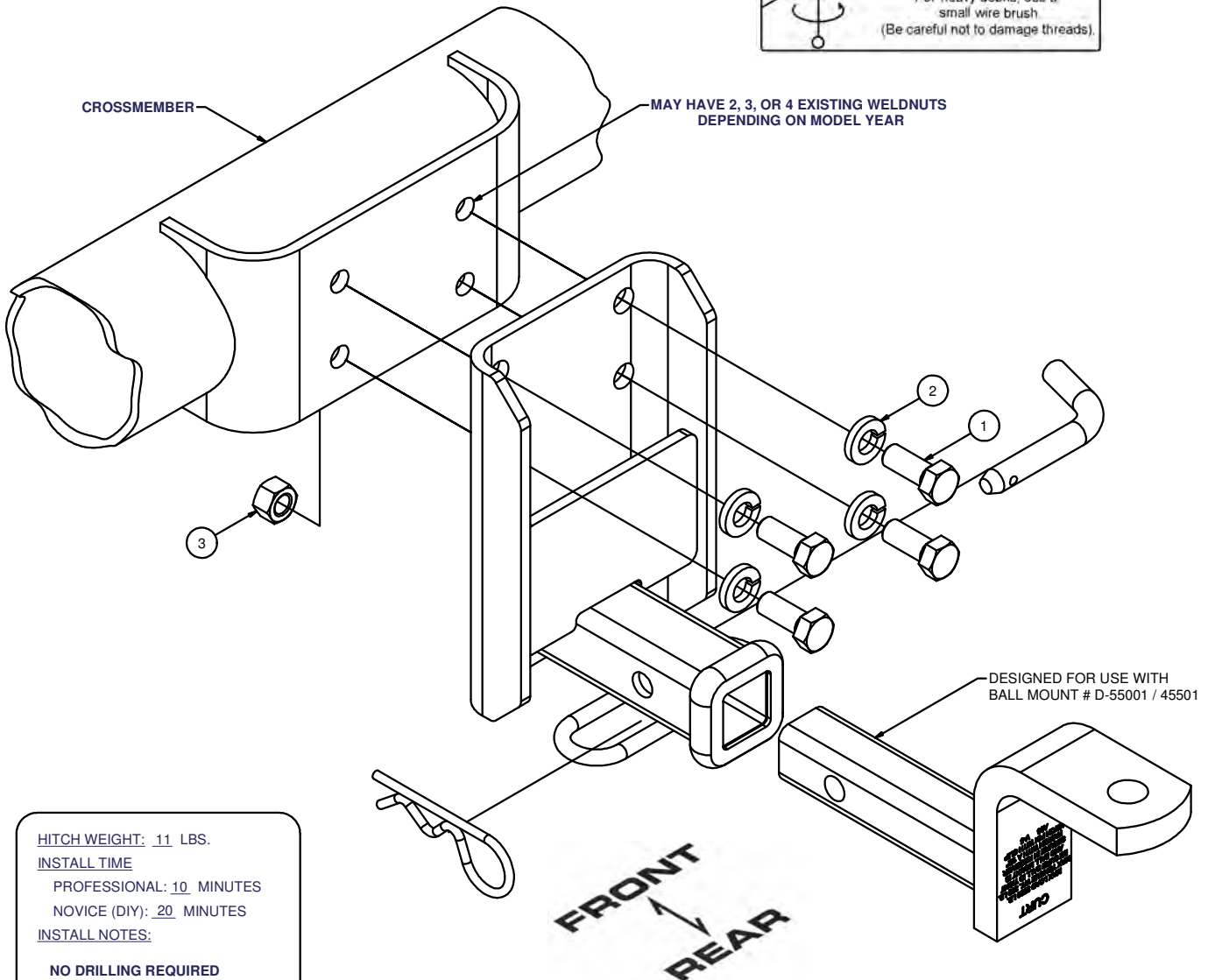
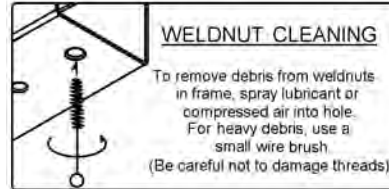
DO NOT EXCEED VEHICLE MANUFACTURER'S RECOMMENDED TOWING CAPACITY.

WARNING: ALL NON-TRAILER LOADS APPLIED TO THIS PRODUCT MUST BE SUPPORTED BY AUXILIARY STABILIZING STRAPS.

** FAILURE TO PROPERLY SUPPORT NON-TRAILER LOADS WILL VOID PRODUCT WARRANTY**

HAVING INSTALLATION QUESTIONS? CALL TECHNICAL SUPPORT AT 1-800-798-0813

Parts List			
ITEM	QTY	PART NUMBER	DESCRIPTION
1	4	M12-1.25 x 30mm	HEX BOLT
2	4	1/2"	LOCK WASHER
3	2	M12 - 1.25	HEX NUT



HITCH WEIGHT: 11 LBS.
 INSTALL TIME
 PROFESSIONAL: 10 MINUTES
 NOVICE (DIY): 20 MINUTES
 INSTALL NOTES:
 NO DRILLING REQUIRED

INSTALLATION STEPS

1. Place hitch in position against rear crossmember and install fasteners. If all the holes are not weldnuts use the nuts supplied.
2. Torque all hardware to 86 lb.-ft.

PERIODICALLY CHECK THIS RECEIVER HITCH TO ENSURE THAT ALL FASTENERS ARE TIGHT AND THAT ALL STRUCTURAL COMPONENTS ARE SOUND.

Curt Manufacturing Inc., warrants this product to be free of defects in material and/or workmanship at the time of retail purchase by the original purchaser. If the product is found to be defective, Curt Manufacturing Inc., may repair or replace the product, at their option, when the product is returned, prepaid, with proof of purchase. Alteration to, misuse of, or improper installation of this product voids the warranty. Curt Manufacturing Inc.'s liability is limited to repair or replacement of products found to be defective, and specifically excludes liability for incidental or consequential loss or damage.