

12220**97-01 INFINITI Q45**

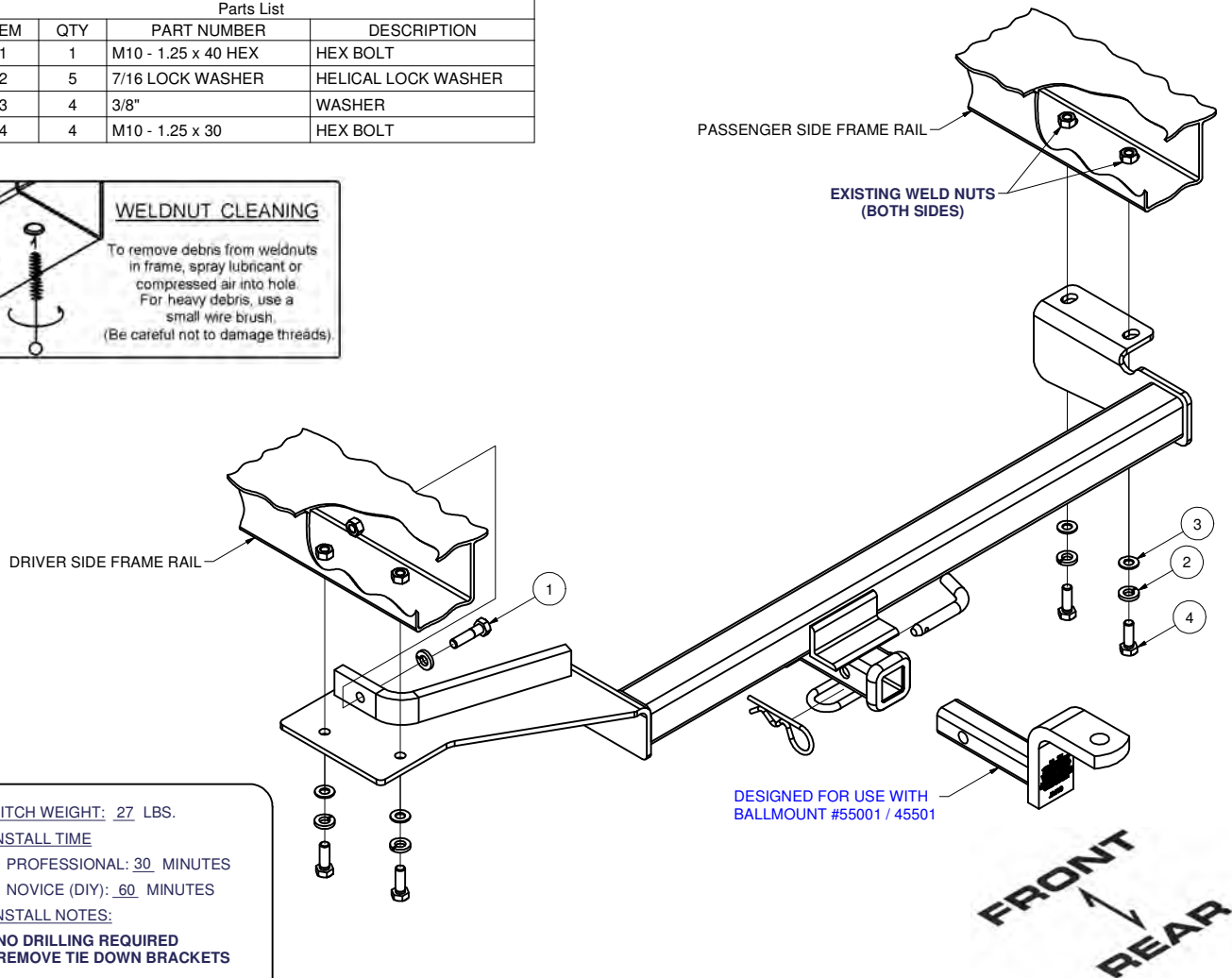
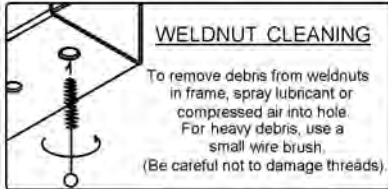
12/5/2012

GROSS LOAD CAPACITY WHEN USED AS A WEIGHT CARRYING HITCH: 2,500 LBS. TRAILER WEIGHT & 250 LBS. TONGUE WEIGHT.

*****DO NOT EXCEED VEHICLE MANUFACTURER'S RECOMMENDED TOWING CAPACITY.*******WARNING: ALL NON-TRAILER LOADS APPLIED TO THIS PRODUCT MUST BE SUPPORTED BY AUXILIARY STABILIZING STRAPS.****** FAILURE TO PROPERLY SUPPORT NON-TRAILER LOADS WILL VOID PRODUCT WARRANTY****

HAVING INSTALLATION QUESTIONS? CALL TECHNICAL SUPPORT AT 1-800-798-0813

Parts List			
ITEM	QTY	PART NUMBER	DESCRIPTION
1	1	M10 - 1.25 x 40 HEX	HEX BOLT
2	5	7/16 LOCK WASHER	HELICAL LOCK WASHER
3	4	3/8"	WASHER
4	4	M10 - 1.25 x 30	HEX BOLT

HITCH WEIGHT: 27 LBS.**INSTALL TIME**PROFESSIONAL: 30 MINUTESNOVICE (DIY): 60 MINUTES**INSTALL NOTES:**

- NO DRILLING REQUIRED
- REMOVE TIE DOWN BRACKETS

INSTALLATION STEPS

1. This hitch mounts to existing weld nuts in the frame rails. Remove the tie down bracket(s) from the frame rail(s) and return them to the owner of the vehicle for reinstallation should the hitch ever be removed. Temporarily lower the exhaust by unfastening three rubber exhaust hangers to ease installation.
2. Temporarily remove the two plastic fascia clips from the metal brackets. Temporarily bend the metal bracket rearward as necessary to allow the hitch to fit between the bumper fascia and the car body. On passenger side, bend the sheetmetal flange as needed to clear the frame plate and allow the frame plate to seat flat against the frame rail.
3. Lift the hitch into position over the exhaust on the driver's side and locate the hitch on the frame rails. Install fasteners into existing weld nuts as shown.
4. Torque all 10mm fasteners to 48 lb-ft. Secure the exhaust hangers and bend the fascia bracket back to the original position and reinstall the fascia clips.

PERIODICALLY CHECK THIS RECEIVER HITCH TO ENSURE THAT ALL FASTENERS ARE TIGHT AND THAT ALL STRUCTURAL COMPONENTS ARE SOUND.

Curt Manufacturing Inc., warrants this product to be free of defects in material and/or workmanship at the time of retail purchase by the original purchaser. If the product is found to be defective, Curt Manufacturing Inc., may repair or replace the product, at their option, when the product is returned, prepaid, with proof of purchase. Alteration to, misuse of, or improper installation of this product voids the warranty. Curt Manufacturing Inc.'s liability is limited to repair or replacement of products found to be defective, and specifically excludes liability for incidental or consequential loss or damage.

257254