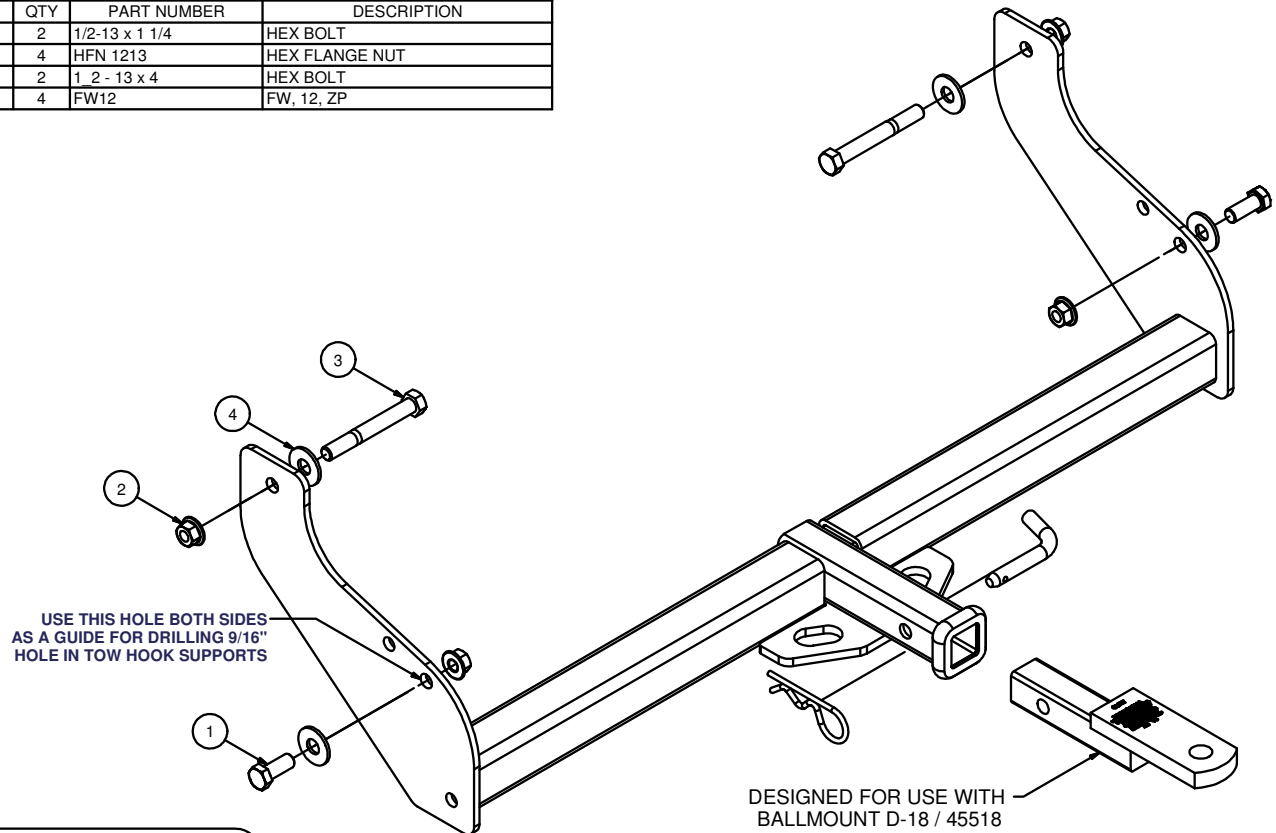


12237**95-04 KIA SPORTAGE****10/5/2012****GROSS LOAD CAPACITY WHEN USED AS A WEIGHT CARRYING HITCH: 3500 LBS. TRAILER WEIGHT & 350 LBS. TONGUE WEIGHT.*******DO NOT EXCEED VEHICLE MANUFACTURER'S RECOMMENDED TOWING CAPACITY.*******WARNING: ALL NON-TRAILER LOADS APPLIED TO THIS PRODUCT MUST BE SUPPORTED BY AUXILIARY STABILIZING STRAPS.****** FAILURE TO PROPERLY SUPPORT NON-TRAILER LOADS WILL VOID PRODUCT WARRANTY******HAVING INSTALLATION QUESTIONS? CALL TECHNICAL SUPPORT AT 1-800-798-0813**

Parts List			
ITEM	QTY	PART NUMBER	DESCRIPTION
1	2	1/2-13 x 1 1/4	HEX BOLT
2	4	HFN 1213	HEX FLANGE NUT
3	2	1 2 - 13 x 4	HEX BOLT
4	4	FW12	FW, 12, ZP

HITCH WEIGHT: 30 LBS.INSTALL TIME

PROFESSIONAL: 30 MINUTES

NOVICE (DIY): 60 MINUTES

INSTALL NOTES:

-DRILLING REQUIRED

INSTALLATION STEPS

- 1) RAISE THE HITCH UP TO THE FRAME AND INSTALL A 1/2" HEX BOLT THROUGH THE REARMOST HOLE OF THE HITCH (Both sides) AND THRU THE EXISTING FRAME SLOTS.
- 2) ATTACH THE HITCH WITH THE 1/2" FLANGE NUTS, FINGER TIGHT ONLY.
- 3) ROTATE THE HITCH UPWARD TO A LEVEL POSITION AND CLAMP IT TO THE TOW HOOK SUPPORTS.
- 4) WHEN THE HITCH IS LEVEL AND PROPERLY POSITIONED USE THE HOLE IN THE HITCH MOUNTING PLATE AS A GUIDE AND DRILL A 9/16" HOLE THROUGH THE TOW HOOK BRACKET. (Both sides)
- 5) AFTER DRILLING THROUGH THE TOW HOOK BRACKETS INSTALL THE 1/2" HEX BOLTS AND WASHERS AND ATTACH WITH 1/2" FLANGE NUTS.
- 6) TORQUE ALL 1/2" HARDWARE TO 110 FT/LBS.

PERIODICALLY CHECK THIS RECEIVER HITCH TO ENSURE THAT ALL FASTENERS ARE TIGHT AND THAT ALL STRUCTURAL COMPONENTS ARE SOUND.

Curt Manufacturing Inc., warrants this product to be free of defects in material and/or workmanship at the time of retail purchase by the original purchaser. If the product is found to be defective, Curt Manufacturing Inc., may repair or replace the product, at their option, when the product is returned, prepaid, with proof of purchase. Alteration to, misuse of, or improper installation of this product voids the warranty. Curt Manufacturing Inc.'s liability is limited to repair or replacement of products found to be defective, and specifically excludes liability for incidental or consequential loss or damage.