

12241

# HYUNDAI TUCSON

5/10/2016

GROSS LOAD CAPACITY WHEN USED AS A WEIGHT CARRYING HITCH: 3,500 LBS. TRAILER WEIGHT & 350 LBS. TONGUE WEIGHT.

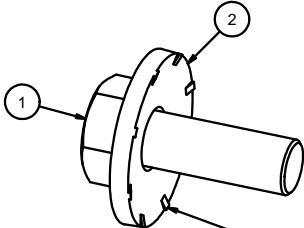
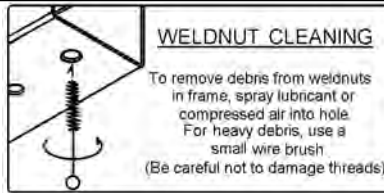
\*\*\*DO NOT EXCEED VEHICLE MANUFACTURER'S RECOMMENDED TOWING CAPACITY.\*\*\*

**WARNING: ALL NON-TRAILER LOADS APPLIED TO THIS PRODUCT MUST BE SUPPORTED BY 18050 STABILIZING STRAPS.**

\*\* FAILURE TO PROPERLY SUPPORT NON-TRAILER LOADS WILL VOID PRODUCT WARRANTY\*\*

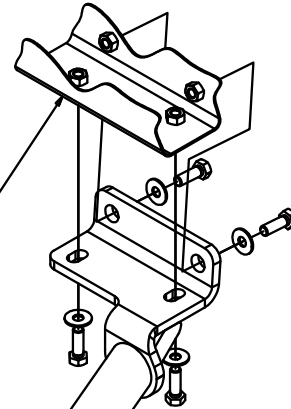
**HAVING INSTALLATION QUESTIONS? CALL TECHNICAL SUPPORT AT 1-800-798-0813**

Parts List			
ITEM	QTY	PART NUMBER	DESCRIPTION
1	8	M10 - 1.25 x 30	HEX BOLT
2	8	3/8"	CONICAL TOOTHED WASHER



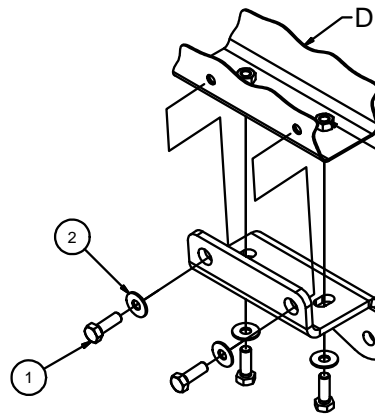
BE SURE TEETH ON THE CONICAL WASHERS ARE AGAINST THE HITCH

PASSENGER SIDE FRAME RAIL



DRIVER SIDE FRAME RAIL

EXISTING WELDNUTS



EURO MOUNT OPTION AVAILABLE  
#45571 (1 7/8" BALL)  
#45572 (2" BALL)

DESIGNED FOR USE WITH BALLMOUNT #45521

### TOOLS REQUIRED

RATCHET
EXTENSION
17mm SOCKET
TORQUE WRENCH
SHORT #2 PHILLIPS SCREWDRIVER
SAFETY GLASSES

HITCH WEIGHT: 27 LBS.

#### INSTALL TIME

PROFESSIONAL: 20 MINUTES

NOVICE (DIY): 40 MINUTES

#### INSTALL NOTES:

- NO DRILLING REQUIRED
- REMOVE PLASTIC PANELS (IF EQUIPPED)
- MAY REQUIRE WELD NUT CLEANING

## INSTALLATION STEPS

1. If equipped, remove two (2) plastic panels. These are located under the bumper behind the rear tires. Using a screw driver, remove three (3) plastic clips from each panel and pull down to dislodge. Put the panels and fasteners aside for reinstallation later.
2. Start by inserting the hitch over the of the exhaust on the passenger side. Rotate the hitch and raise hitch into position. Install four (4) M10-1.25 x 30 with four (4) 3/8" conical tooth washers per side. Be sure the tooth portion of the washer is against the hitch. **Note:** Pull down on the exhaust to ease the installation process.
3. Torque all M10 fasteners to 40 ft-lbs.
4. Reinstall two plastic panels (if removed in step 1).



Scan for more information

PERIODICALLY CHECK THIS RECEIVER HITCH TO ENSURE THAT ALL FASTENERS ARE TIGHT AND THAT ALL STRUCTURAL COMPONENTS ARE SOUND.

CURT Manufacturing LLC., warrants this product to be free of defects in material and/or workmanship at the time of retail purchase by the original purchaser. If the product is found to be defective, CURT Manufacturing LLC., may repair or replace the product, at their option, when the product is returned, prepaid, with proof of purchase. Alteration to, misuse of, or improper installation of this product voids the warranty. CURT Manufacturing LLC.'s liability is limited to repair or replacement of products found to be defective, and specifically excludes liability for incidental or consequential loss or damage.