

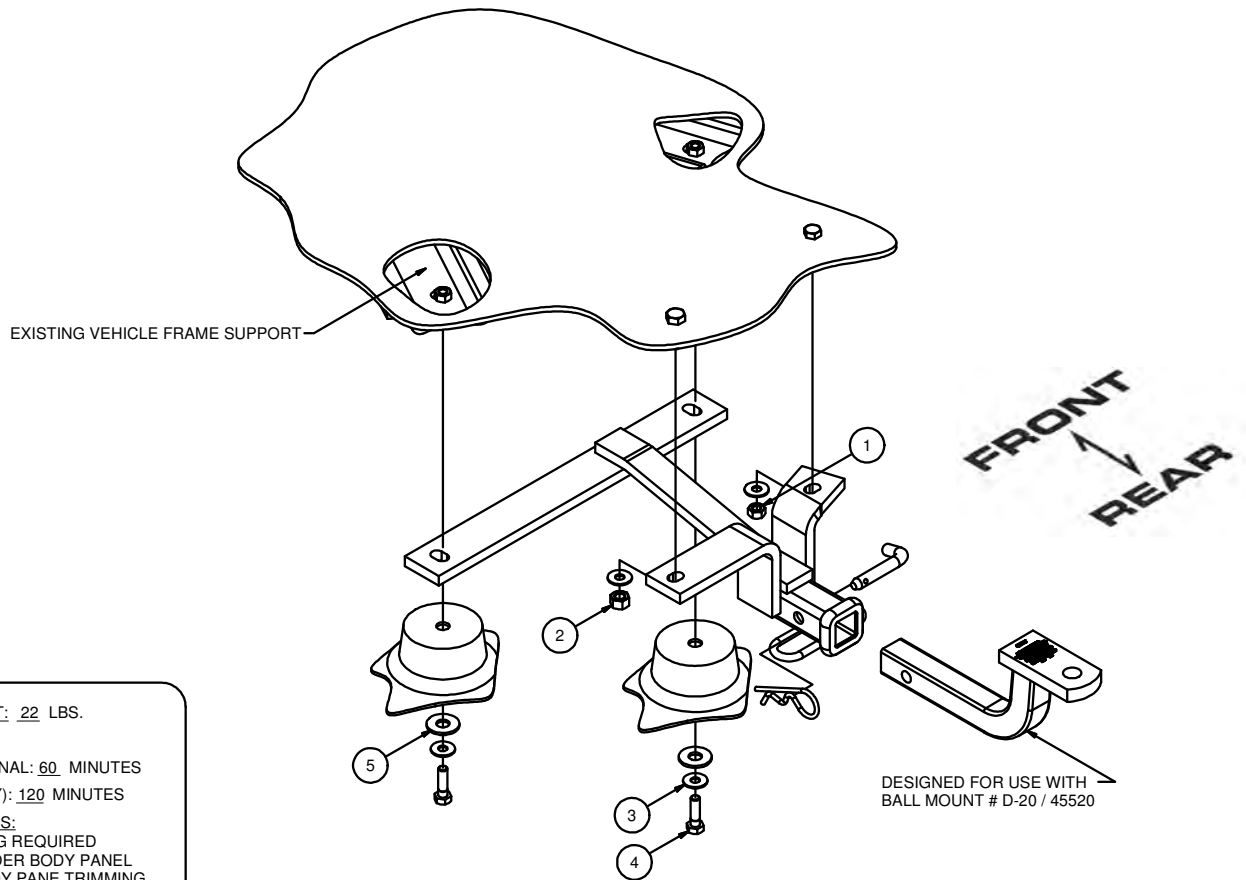
**12246****04-06 PONTIAC GTO**

11/19/2012

GROSS LOAD CAPACITY WHEN USED AS A WEIGHT CARRYING HITCH: 3500 LBS. TRAILER WEIGHT &amp; 350 LBS. TONGUE WEIGHT.

**\*\*\*DO NOT EXCEED VEHICLE MANUFACTURER'S RECOMMENDED TOWING CAPACITY.\*\*\*****WARNING: ALL NON-TRAILER LOADS APPLIED TO THIS PRODUCT MUST BE SUPPORTED BY AUXILIARY STABILIZING STRAPS.****\*\* FAILURE TO PROPERLY SUPPORT NON-TRAILER LOADS WILL VOID PRODUCT WARRANTY\*\*****HAVING INSTALLATION QUESTIONS? CALL TECHNICAL SUPPORT AT 1-800-798-0813**

| Parts List |     |                    |                        |
|------------|-----|--------------------|------------------------|
| ITEM       | QTY | PART NUMBER        | DESCRIPTION            |
| 1          | 1   | M10 - 1.50 HEX-NUT | Hex Nut                |
| 2          | 1   | M12 - 1.5 HEX NUT  | HEX NUT                |
| 3          | 4   | 3/8"               | CONICAL TOOTHED WASHER |
| 4          | 2   | M10 - 1.5 x 35mm   | HEX TAP BOLT           |
| 5          | 2   | FW12               | FW, 12, ZP             |



HITCH WEIGHT: 22 LBS.

**INSTALL TIME**

PROFESSIONAL: 60 MINUTES

NOVICE (DIY): 120 MINUTES

**INSTALL NOTES:**

- NO DRILLING REQUIRED
- LOWER UNDER BODY PANEL
- UNDER BODY PANE TRIMMING REQUIRED

**INSTALLATION STEPS**

1. Lower plastic under panel (12 plastic inserts)
2. Lift hitch into position and fasten with hex nuts and conical washers to existing frame studs.
3. Lift plastic panel into position and reinstall the 12 plastic inserts.
4. Place new 10mm hex bolts with 1/2" flat washer and 3/8" conical washer into existing weld nuts.
5. Trim plastic under body pane to clear hitch as required.
6. Torque all 10mm fasteners to 45 lb-ft and all 12mm fasteners to 82 lb-ft.

**PERIODICALLY CHECK THIS RECEIVER HITCH TO ENSURE THAT ALL FASTENERS ARE TIGHT AND THAT ALL STRUCTURAL COMPONENTS ARE SOUND.**

Curt Manufacturing Inc., warrants this product to be free of defects in material and/or workmanship at the time of retail purchase by the original purchaser. If the product is found to be defective, Curt Manufacturing Inc., may repair or replace the product, at their option, when the product is returned, prepaid, with proof of purchase. Alteration to, misuse of, or improper installation of this product voids the warranty. Curt Manufacturing Inc.'s liability is limited to repair or replacement of products found to be defective, and specifically excludes liability for incidental or consequential loss or damage.