

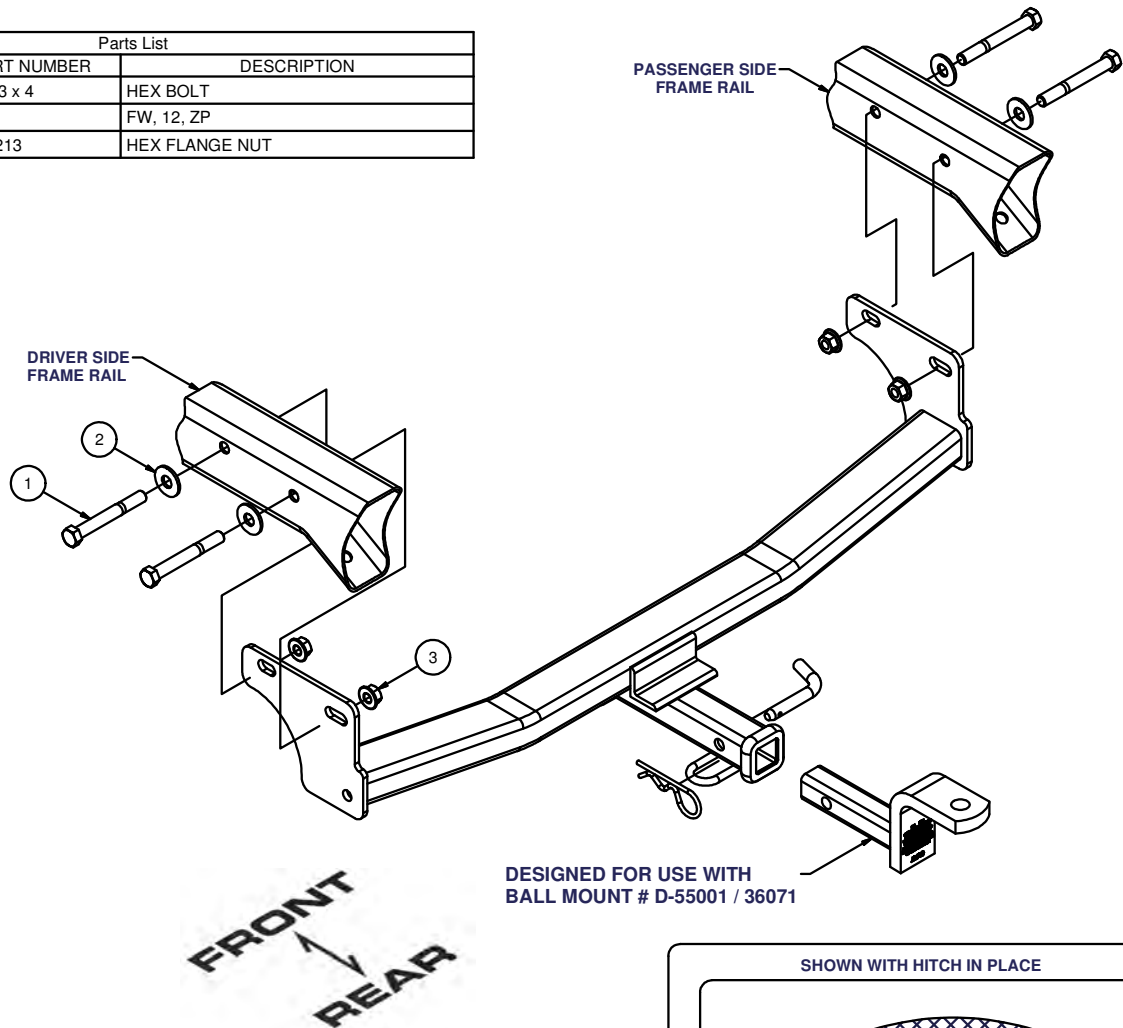
12255**JEEP COMPASS & PATRIOT**

9/24/2012

INC. RALLYE PACKAGE

GROSS LOAD CAPACITY WHEN USED AS A WEIGHT CARRYING HITCH: 3,500 LBS. TRAILER WEIGHT & 350 LBS. TONGUE WEIGHT.
*****DO NOT EXCEED VEHICLE MANUFACTURER'S RECOMMENDED TOWING CAPACITY.*****

Parts List			
ITEM	QTY	PART NUMBER	DESCRIPTION
1	4	1_2 - 13 x 4	HEX BOLT
2	4	FW12	FW, 12, ZP
3	4	HFN 1213	HEX FLANGE NUT



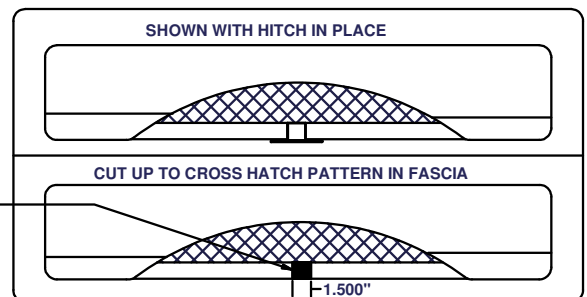
DESIGNED FOR USE WITH
 BALL MOUNT # D-55001 / 36071

HITCH WEIGHT: 31 LBS.

INSTALL TIME: 45 MINUTES

INSTALL NOTES:
 - LOWER EXHAUST

REAR VIEW OF RALLYE SHOWING
 SECTION OF FASCIA TO TRIM OUT

**INSTALLATION STEPS**

- 1) Lower exhaust hangers on both the driver and passenger side. Support while installing hitch.
- 2) Insert 4" hex bolts with washers into the frame rails from the outside. Raise the hitch into position between the frame rails. Make sure to tilt the driver side of the hitch into position first. Push bolts through mounting plates and loosely install 1/2" hex nuts.
- 3) Torque all 7/16" fasteners to 70 lb-ft and all 1/2" fasteners to 110 lb-ft.
- 4) Re-install exhaust.

PERIODICALLY CHECK THIS RECEIVER HITCH TO ENSURE THAT ALL FASTENERS ARE TIGHT AND THAT ALL STRUCTURAL COMPONENTS ARE SOUND.

Curt Manufacturing Inc., warrants this product to be free of defects in material and/or workmanship at the time of retail purchase by the original purchaser. If the product is found to be defective, Curt Manufacturing Inc., may repair or replace the product, at their option, when the product is returned, prepaid, with proof of purchase. Alteration to, misuse of, or improper installation of this product voids the warranty. Curt Manufacturing Inc.'s liability is limited to repair or replacement of products found to be defective, and specifically excludes liability for incidental or consequential loss or damage.