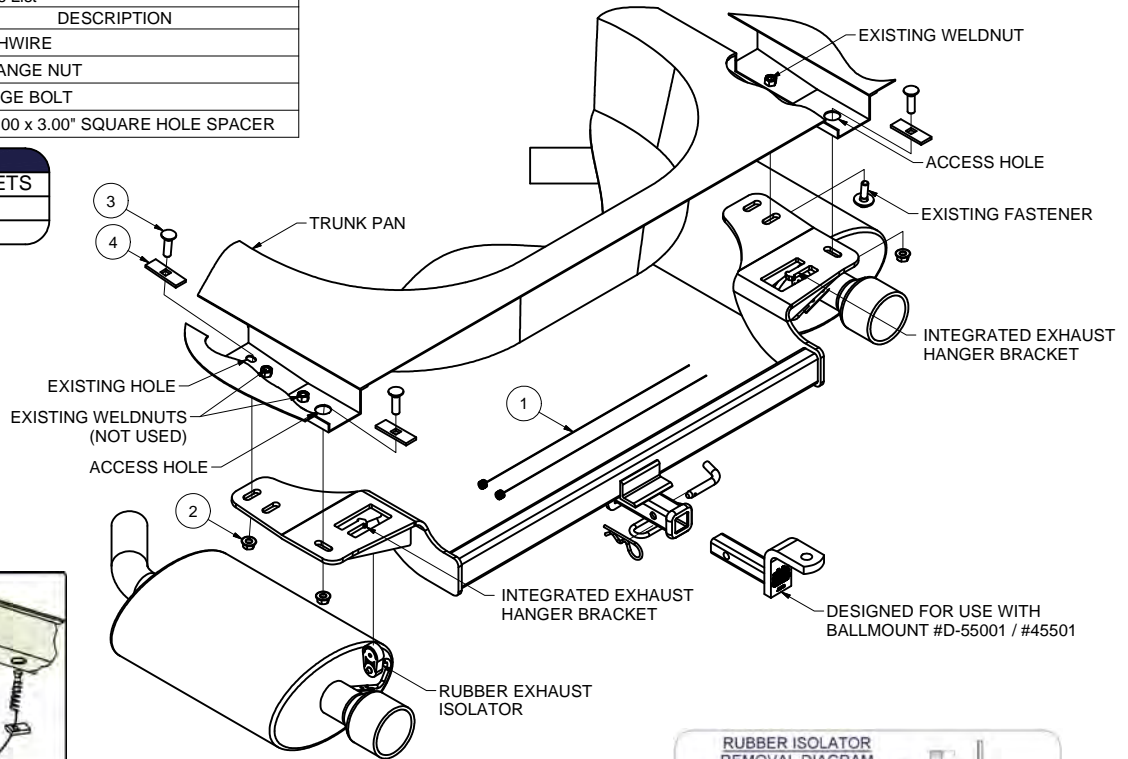


**12258****LINCOLN MKS****5/08/2012****GROSS LOAD CAPACITY WHEN USED AS A WEIGHT CARRYING HITCH: 3,500 LBS. TRAILER WEIGHT & 300 LBS. TONGUE WEIGHT.****\*\*\*DO NOT EXCEED VEHICLE MANUFACTURER'S RECOMMENDED TOWING CAPACITY.\*\*\*****WARNING: ALL NON-TRAILER LOADS APPLIED TO THIS PRODUCT MUST BE SUPPORTED BY AUXILIARY STABILIZING STRAPS.****\*\* FAILURE TO PROPERLY SUPPORT NON-TRAILER LOADS WILL VOID PRODUCT WARRANTY\*\*****HAVING INSTALLATION QUESTIONS? CALL TECHNICAL SUPPORT AT 1-800-798-0813**

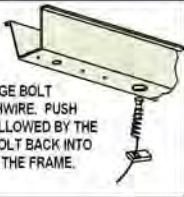
Parts List			
ITEM	QTY	PART NUMBER	DESCRIPTION
1	2	1_2 FISHWIRE	1/2" FISHWIRE
2	3	HFN 1213	HEX FLANGE NUT
3	3	1/2-13 x 1 3/4	CARRIAGE BOLT
4	3	CM-SP40	.188 x 1.00 x 3.00" SQUARE HOLE SPACER

**TOOLS REQUIRED**

10mm, 18mm AND 3/4" SOCKETS  
RATCHET  
TORQUE WRENCH

**REVERSE PULL FISHWIRE TECHNIQUE**

ATTACH FISHWIRE TO CARRIAGE BOLT AND SLIDE SPACER ONTO FISHWIRE. PUSH THE BOLT THRU THE HOLE FOLLOWED BY THE SPACER (AS SHOWN). PULL BOLT BACK INTO POSITION, PROTRUDING FROM THE FRAME.

**FISHWIRE TECHNIQUE**

INSERT COILED END OF FISHWIRE TOOL THROUGH HITCH MOUNTING HOLE IN VEHICLE FRAME RAIL AND OUT THE ACCESS HOLE. PASS COILED END OF FISHWIRE THROUGH SPACER AND THREAD BOLT INTO COIL. KINK WIRE TO KEEP SPACER SEPARATE FROM BOLT AS SHOWN. PULL FISHWIRE, SPACER, AND BOLT THROUGH FRAME AND OUT MOUNTING HOLE. USE FISHWIRE TO GUIDE HITCH DURING MOUNTING AND PREVENT LOSS OF BOLT / SPACER INSIDE FRAME RAIL.

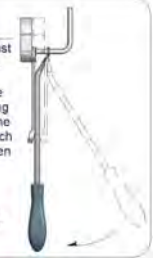
\*NOTE: SOME VEHICLES MAY FISHWIRE THROUGH END OF FRAME\*

**RUBBER ISOLATOR REMOVAL DIAGRAM**

This technique can be used if an Exhaust Hanger Removal Pliers is not available.

Using a 5/8" open end wrench, slide the wrench up to the rubber isolator, cradling the hanger rod as shown. Next place the flat edge of a pry bar between the wrench and the hanger stop or hanger rod. Then simply rotate the pry bar toward the wrench to remove the rubber isolator.

Note: Using a spray lubricant or soapy water on the hanger rod and the rubber isolator helps removal.

HITCH WEIGHT: 39 LBS.**INSTALL TIME**PROFESSIONAL: 30 MINUTESNOVICE (DIY): 65 MINUTES**INSTALL NOTES:**

- LOWER EXHAUST

**INSTALLATION STEPS**

- 1) Lower the exhaust by removing the (2) rubber isolators from the hangers at the rear of the mufflers. Leave the isolators attached to the mufflers. (See Rubber Isolator Removal Diagram.)
- 2) Remove the (2) fasteners securing the rubber isolator brackets from each side of the vehicle. Keep one fastener from the passenger side for later use. Give the remaining fasteners and exhaust hangers to the vehicle owner.
- 3) Using the fishwire tool provided, fishwire a 1/2-13 carriage bolt and CM-SP40 spacer through the rearmost access hole in the driver side frame rail into forward hole as shown. (See Fishwire Technique.)
- 4) Reverse fishwire the remaining 1/2-13 carriage bolts and CM-SP40 spacers into the rearmost access holes in the driver and passenger side frame rails. (See Reverse Pull Fishwire Technique.)
- 5) Raise the hitch into position above the exhaust and secure using the hex flange nuts on the 1/2-13 fasteners along with the existing fastener saved from Step 2.
- 6) Torque all fasteners to 75 ft lbs.
- 7) Raise the exhaust into position and secure the isolator using the integrated exhaust hanger brackets as shown.

**PERIODICALLY CHECK THIS RECEIVER HITCH TO ENSURE THAT ALL FASTENERS ARE TIGHT AND THAT ALL STRUCTURAL COMPONENTS ARE SOUND.**

Curt Manufacturing Inc., warrants this product to be free of defects in material and/or workmanship at the time of retail purchase by the original purchaser. If the product is found to be defective, Curt Manufacturing Inc., may repair or replace the product, at their option, when the product is returned, prepaid, with proof of purchase. Alteration to, misuse of, or improper installation of this product voids the warranty. Curt Manufacturing Inc.'s liability is limited to repair or replacement of products found to be defective, and specifically excludes liability for incidental or consequential loss or damage.