

13008 / RH13008 / RHH13008

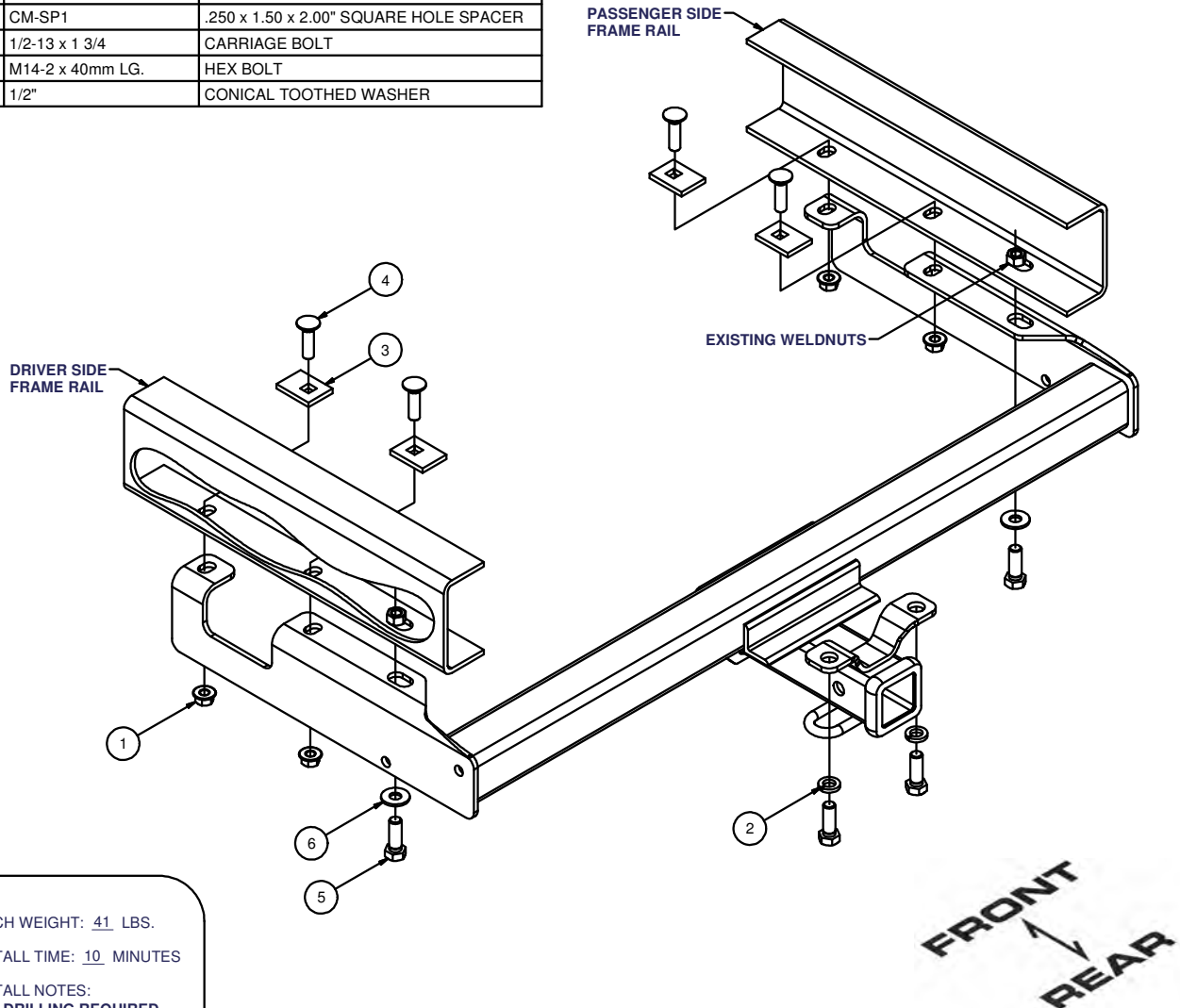
01-07 CHEVY/GMC 2500HD-3500

10/15/2012

8 FT BED ONLY

GROSS LOAD CAPACITY WHEN USED AS A WEIGHT CARRYING HITCH: 6,000 LBS. TRAILER WEIGHT & 600 LBS. TONGUE WEIGHT.
GROSS LOAD CAPACITY WHEN USED AS A WEIGHT DISTRIBUTION HITCH: 10,000 LBS. TRAILER WEIGHT & 1,000 LBS. TONGUE WEIGHT
*****DO NOT EXCEED VEHICLE MANUFACTURER'S RECOMMENDED TOWING CAPACITY.*****

Parts List			
ITEM	QTY	PART NUMBER	DESCRIPTION
1	4	HFN 1213	HEX FLANGE NUT
2	2	9/16	LOCK WASHER
3	4	CM-SP1	.250 x 1.50 x 2.00" SQUARE HOLE SPACER
4	4	1/2-13 x 1 3/4	CARRIAGE BOLT
5	4	M14-2 x 40mm LG.	HEX BOLT
6	2	1/2"	CONICAL TOOTHED WASHER



HITCH WEIGHT: 41 LBS.

INSTALL TIME: 10 MINUTES

INSTALL NOTES:

- NO DRILLING REQUIRED
- REMOVE/RELOCATE GROUND WIRE

INSTALLATION STEPS

- 1) Remove the 14mm hex bolt from each end of the frame.
- 2) Remove and relocate the ground wire and ground wire bolt on the driver's side frame rail.
- 3) Raise the hitch into position and install the fasteners as shown.
- 4) Torque 1/2" fasteners to 110 lb.-ft.
14mm fasteners to 126 lb.-ft.

PERIODICALLY CHECK THIS RECEIVER HITCH TO ENSURE THAT ALL FASTENERS ARE TIGHT AND THAT ALL STRUCTURAL COMPONENTS ARE SOUND.

Curt Manufacturing Inc., warrants this product to be free of defects in material and/or workmanship at the time of retail purchase by the original purchaser. If the product is found to be defective, Curt Manufacturing Inc., may repair or replace the product, at their option, when the product is returned, prepaid, with proof of purchase. Alteration to, misuse of, or improper installation of this product voids the warranty. Curt Manufacturing Inc.'s liability is limited to repair or replacement of products found to be defective, and specifically excludes liability for incidental or consequential loss or damage.