

YEARS: 2011-PRESENT / 2010-PRESENT

MAKE: KIA / HYUNDAI

MODEL: SORENTO / SANTA FE

STYLE: CROSSOVER

WARNING: NEVER EXCEED YOUR VEHICLE MANUFACTURER'S RECOMMENDED TOWING CAPACITY

WEIGHT CARRYING:
 TRAILER WEIGHT: 3,500 LBS.
 TONGUE WEIGHT: 350 LBS.

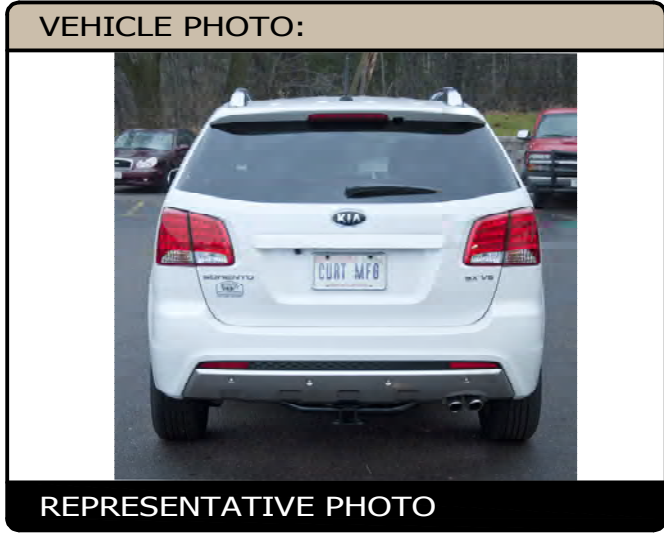
WARNING:
 WE RECOMMEND THE USE OF 18050 STABILIZING STRAPS FOR ALL NON-TRAILER (WHEEL-LESS) LOADS. PLEASE SEE THE CURT CATALOG OR VISIT US ONLINE AT WWW.CURTMFG.COM FOR FURTHER INFORMATION.

INSTALLATION TIME: 30 MIN.

THE INSTALL TIME LISTED IS FOR PROFESSIONAL INSTALLERS. IF YOU ARE HESITANT TO UNDERTAKE THIS TASK ON YOUR OWN, CONTACT AN AUTHORIZED CURT INSTALLER FOR ADDITIONAL ASSISTANCE.

INSTALLATION TIPS:

- BEFORE YOU BEGIN INSTALLATION, READ ALL INSTRUCTIONS THOROUGHLY.
- TO EASE INSTALLATION, 2 PEOPLE MAY BE REQUIRED.
- USING PROPER TOOLS WILL GREATLY IMPROVE THE QUALITY OF THE INSTALL AND REDUCE THE TIME REQUIRED.
- NEED HELP OR HAVE SOME QUESTIONS? CALL TECHNICAL SUPPORT AT 800.798.0813



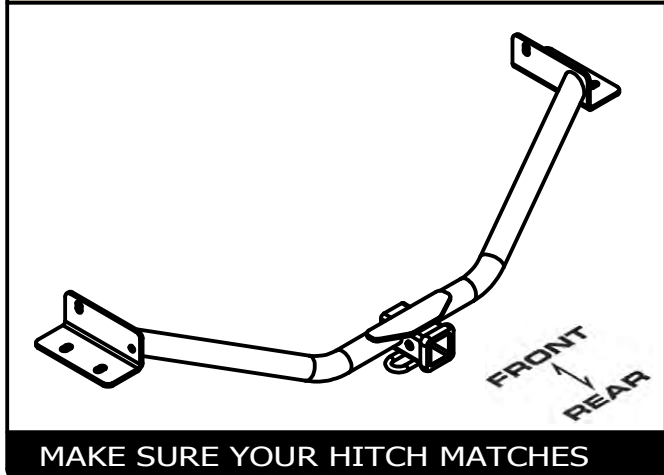
INSTALLATION REQUIRES:

RATCHET	5/8" 11/16" 10mm 18mm SOCKET	TORQUE WRENCH
SAFETY GLASSES	SCREW DRIVER	TAPE MEASURE
AVIATION SHEARS	MARKER	6" SOCKET EXTENSION

LEVEL OF DIFFICULTY: MODERATE

EASY	MODERATE	HARD
	LOWER EXHAUST	
	REMOVE / REINSTALL HEAT SHIELD AND SPARE TIRE	
	TRIM HEAT SHIELD	
	FASCIA TRIMMING REQUIRED ON SOME MODELS	
	NO DRILLING REQUIRED	

HITCH ILLUSTRATION:



PERIODICALLY CHECK THIS RECEIVER HITCH TO ENSURE ALL FASTENERS ARE TIGHT AND ALL STRUCTURAL COMPONENTS ARE SOUND

CURT Manufacturing Inc. warrants this product to be free of defects in material and/or workmanship at the time of retail purchase by the original purchaser. If the product is found to be defective, Curt Manufacturing Inc. may repair or replace the product at their option, when the product is returned, prepaid, with proof of purchase. Alteration to, misuse of, or improper installation of this product voids the warranty. Curt Manufacturing Inc.'s liability is limited to repair or replacement of products found to be defective, and specifically excludes liability for incidental or consequential loss or damage.

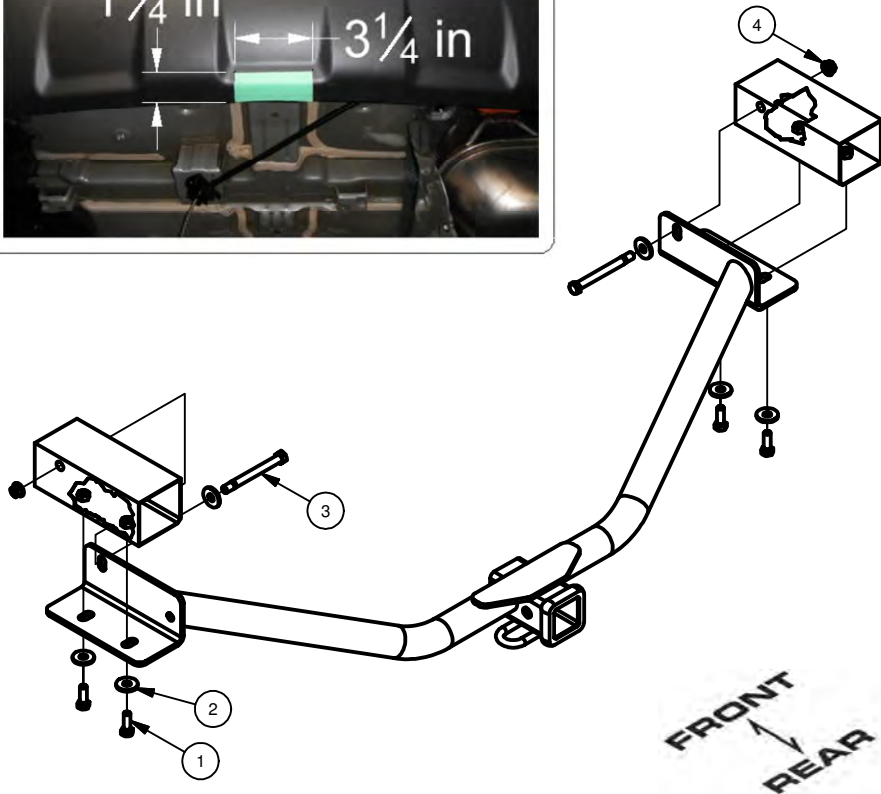
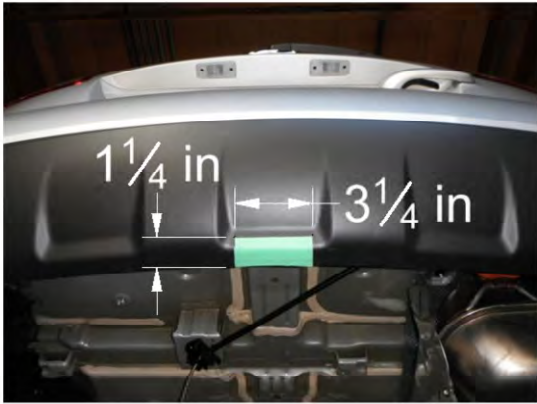
For more information log onto www.curtmfg.com, & for helpful towing tips log onto www.hitchinfo.com

INSTALLATION WALKTHROUGH:

Parts List			
ITEM	QTY	PART NUMBER	DESCRIPTION
1	4	M10 - 1.25 x 30	HEX BOLT
2	6	7/16"	CONICAL TOOTHED WASHER
3	2	7_16 - 14 x 4 1_2 HEX	HEX BOLT
4	2	7/16-14	HEX FLANGE NUT

TRIM DIAGRAM (SOME MODELS)

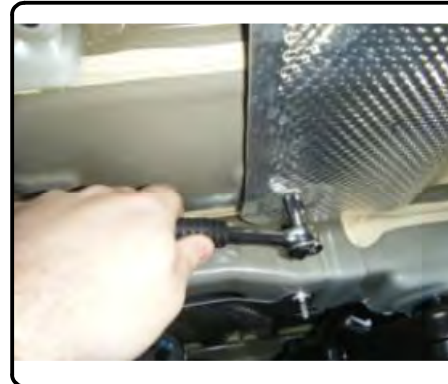
NOTE: Trimming is required on some models. Trim dimensions are approximate and may vary depending on vehicle model. Check fit prior to trimming.



1. Lower exhaust by removing (3) rubber isolators. To ease installation, lower and remove spare tire temporarily.



2. Remove heat shield by removing (3) nuts and (1) screw. Trim heat shield to allow hitch side plate to rest against vehicle frame rail. The area trimmed off will remove approximately 8 inches of the heat shield that was along the inside of the frame rail.

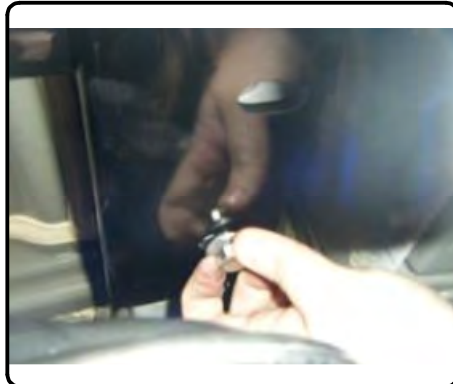


INSTALLATION WALKTHROUGH:

3. Reattach heat shield with (3) nuts from Step 2.



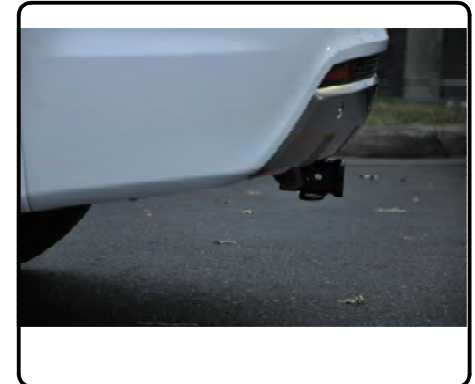
4. Raise hitch into position by raising passenger side of hitch over exhaust and secure into position with supplied M10 bolts and 7/16" conical toothed washers, as shown. NOTE: If the vehicle fascia prevents the hitch from being raised completely into position see trim diagram on page 2.



5. Install 7/16" hardware through side plates and through pass through holes in frame rails, as shown on page 2.



6. Torque 7/16" hardware to 70 lb-ft and M10 hardware to 48 lb-ft. Raise exhaust and spare tire back into position.



13073**HYUNDAI SANTA FE / 2ND GENERATION KIA SORENTO**

2/25/2013

INCLUDING SX MODELS

GROSS LOAD CAPACITY WHEN USED AS A WEIGHT CARRYING HITCH: 3,500 LBS. TRAILER WEIGHT & 350 LBS. TONGUE WEIGHT.

*****DO NOT EXCEED VEHICLE MANUFACTURER'S RECOMMENDED TOWING CAPACITY.*****

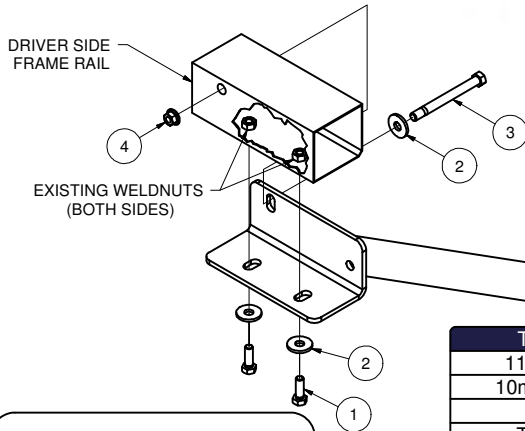
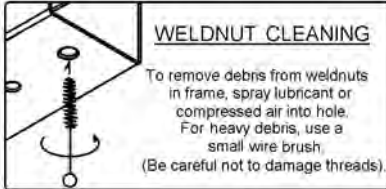
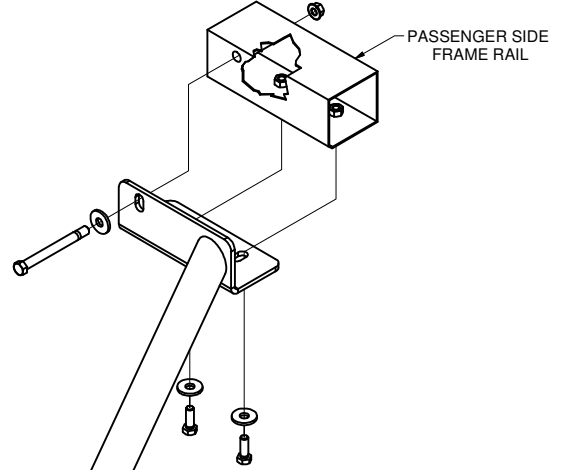
WARNING: ALL NON-TRAILER LOADS APPLIED TO THIS PRODUCT MUST BE SUPPORTED BY 18050 STABILIZING STRAPS.

**** FAILURE TO PROPERLY SUPPORT NON-TRAILER LOADS WILL VOID PRODUCT WARRANTY****

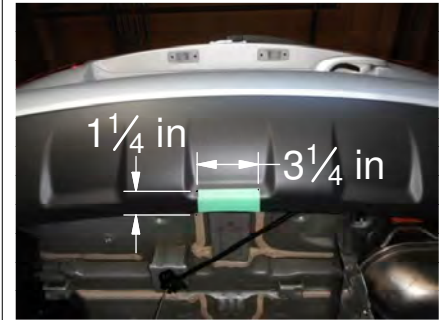
HAVING INSTALLATION QUESTIONS? CALL TECHNICAL SUPPORT AT 1-800-798-0813

Parts List

ITEM	QTY	PART NUMBER	DESCRIPTION
1	4	M10 - 1.25 x 30	HEX BOLT
2	6	7/16"	CONICAL TOOTHED WASHER
3	2	7_16 - 14 x 4 1_2 HEX	HEX BOLT
4	2	7/16-14	HEX FLANGE NUT

FRONT
↑
REAR**TRIM DIAGRAM (SOME MODELS)**

NOTE: Trimming is required on some models. Trim dimensions are approximate and may vary depending on vehicle model. Check fit prior to trimming.



TOOLS REQUIRED

11/16" & 5/8" SOCKET
10mm & 18mm SOCKET
RATCHET
TORQUE WRENCH
SCREW DRIVER
TAPE MEASURE
AVIATION SHEARS
UTILITY KNIFE
MARKING PEN
SWIVEL SOCKET
SOCKET EXTENSION

HITCH WEIGHT: 27 LBS.

INSTALL TIME

PROFESSIONAL: 30 MINUTES

NOVICE (DIY): 60 MINUTES

INSTALL NOTES:

- LOWER EXHAUST
- REMOVE / TRIM HEAT SHIELD
- FASCIA TRIMMING REQUIRED (SOME MODELS)
- NO DRILLING REQUIRED

INSTALLATION STEPS

1. Lower exhaust by removing (3) rubber isolators. To ease installation, lower and remove spare tire temporarily.
2. Remove heat shield by removing (3) nuts and (1) screw.
3. Trim heat shield to allow hitch side plate to rest against vehicle frame rail. The area trimmed off will remove approximately 8 inches of the heat shield that was along the inside of the frame rail.
4. Reattach heat shield with (3) nuts from Step 2.
5. Raise hitch into position by raising passenger side of hitch over exhaust and secure into position with supplied M10 bolts and 7/16" conical toothed washers, as shown. NOTE: If the vehicle fascia prevents the hitch from being raised completely into position see trim diagram above.
6. Install 7/16" hex bolts through side plates and through pass through holes in frame rails, as shown above.
7. Torque 7/16" hardware to 70 lb-ft and M10 hardware to 48 lb-ft.
8. Raise exhaust back into position. Reinstall spare tire.

PERIODICALLY CHECK THIS RECEIVER HITCH TO ENSURE THAT ALL FASTENERS ARE TIGHT AND THAT ALL STRUCTURAL COMPONENTS ARE SOUND.

Curt Manufacturing Inc., warrants this product to be free of defects in material and/or workmanship at the time of retail purchase by the original purchaser. If the product is found to be defective, Curt Manufacturing Inc., may repair or replace the product, at their option, when the product is returned, prepaid, with proof of purchase. Alteration to, misuse of, or improper installation of this product voids the warranty. Curt Manufacturing Inc.'s liability is limited to repair or replacement of products found to be defective, and specifically excludes liability for incidental or consequential loss or damage.