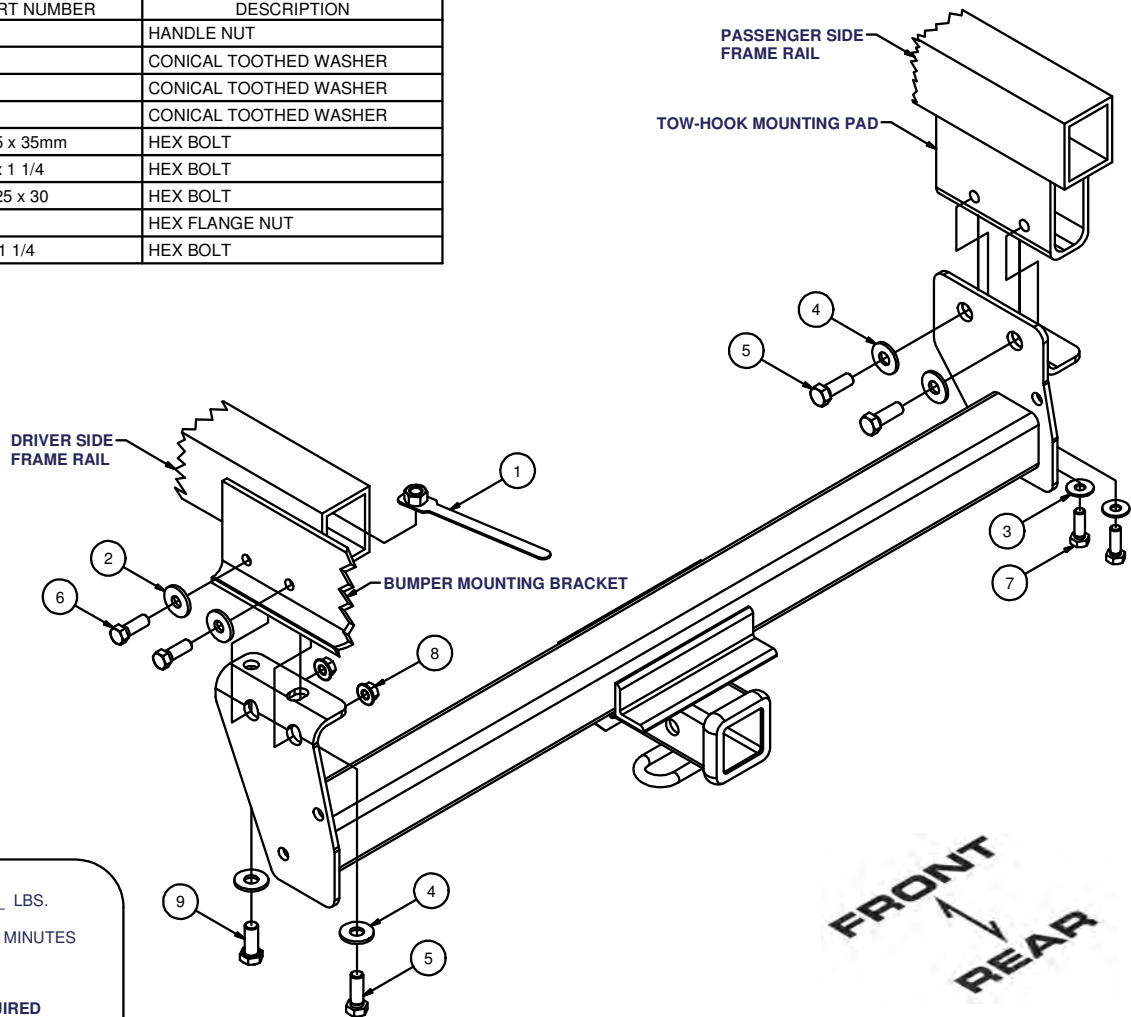


10/5/2012

GROSS LOAD CAPACITY WHEN USED AS A WEIGHT CARRYING HITCH: 4,000 LBS. TRAILER WEIGHT & 400 LBS. TONGUE WEIGHT.
 GROSS LOAD CAPACITY WHEN USED AS A WEIGHT DISTRIBUTION HITCH: 6,000 LBS. TRAILER WEIGHT & 600 LBS. TONGUE WEIGHT

*****DO NOT EXCEED VEHICLE MANUFACTURER'S RECOMMENDED TOWING CAPACITY.*****

Parts List			
ITEM	QTY	PART NUMBER	DESCRIPTION
1	1	1/2-13	HANDLE NUT
2	2	7/16"	CONICAL TOOTHED WASHER
3	2	3/8"	CONICAL TOOTHED WASHER
4	4	1/2"	CONICAL TOOTHED WASHER
5	3	M12-1.25 x 35mm	HEX BOLT
6	2	7/16-14 x 1 1/4	HEX BOLT
7	2	M10 - 1.25 x 30	HEX BOLT
8	2	7/16-14	HEX FLANGE NUT
9	1	1/2-13 x 1 1/4	HEX BOLT



HITCH WEIGHT: 33 LBS.
 INSTALL TIME: 30 MINUTES
 INSTALL NOTES:
DRILLING REQUIRED

INSTALLATION STEPS

NOTE: Driver side bumper bracket may require adjustment to align with hitch.

1) Remove tow-hook and fasteners.

WARNING: DO NOT INSTALL TOW-HOOK WITH HITCH IN PLACE.

2) Position hitch on vehicle as shown. Align holes in hitch with existing weldnuts in vehicle frame (driver's side) and tow-hook mounting pad (passenger's side). Loosely install fasteners as shown.

3) Using hitch as a template, drill 1/2" hole through forward hole in driver's side plate into frame.

4) Install handle nut through end of frame and install remaining fasteners as shown.

5) Torque M10 fasteners to 48 lb.-ft., M12 fasteners to 86 lb.-ft., 7/16" fasteners to 70 lb.-ft., and all 1/2" fasteners to 110 lb.-ft.

PERIODICALLY CHECK THIS RECEIVER HITCH TO ENSURE THAT ALL FASTENERS ARE TIGHT AND THAT ALL STRUCTURAL COMPONENTS ARE SOUND.