



Safety glasses should be worn at all times while installing this product.

YEARS: 2012-PRESENT

MAKE: HONDA

MODEL: CR-V

STYLE: SUV

**WARNING: NEVER EXCEED YOUR VEHICLE MANUFACTURER'S RECOMMENDED TOWING CAPACITY**





**WEIGHT CARRYING:**  
 TRAILER WEIGHT: 3,500 LBS.  
 TONGUE WEIGHT: 350 LBS.

**WARNING:**  
 WE RECOMMEND THE USE OF 18050 STABILIZING STRAPS FOR ALL NON-TRAILER (WHEEL-LESS) LOADS. PLEASE SEE THE CURT CATALOG OR VISIT US ONLINE AT [WWW.CURTMFG.COM](http://WWW.CURTMFG.COM) FOR FURTHER INFORMATION.

**INSTALLATION TIME: 30 MIN.**

THE INSTALL TIME LISTED IS FOR PROFESSIONAL INSTALLERS. IF YOU ARE HESITANT TO UNDERTAKE THIS TASK ON YOUR OWN, CONTACT AN AUTHORIZED CURT INSTALLER FOR ADDITIONAL ASSISTANCE.



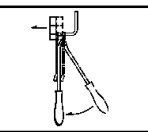
**INSTALLATION REQUIRES:**

|  |   |   |
|--|---|---|
| <br><b>RATCHET</b>                                     | <br><b>TORQUE WRENCH</b> | <br><b>9" SOCKET EXTENSION</b> |
| <br><b>10mm<br/>17mm<br/>1 1/16"</b><br><b>SOCKET</b> | <br><b>SCREW DRIVER</b>  | <br><b>ROTARY TOOL</b>         |
| <br><b>SAFETY GLASSES</b>                            |   |   |
|  |   |   |

**INSTALLATION TIPS:**

- BEFORE YOU BEGIN INSTALLATION, READ ALL INSTRUCTIONS THOROUGHLY.
- TO EASE INSTALLATION, 2 PEOPLE MAY BE REQUIRED.
- USING PROPER TOOLS WILL GREATLY IMPROVE THE QUALITY OF THE INSTALL AND REDUCE THE TIME REQUIRED.
- NEED HELP OR HAVE SOME QUESTIONS? CALL TECHNICAL SUPPORT AT 800.798.0813

**LEVEL OF DIFFICULTY: MODERATE**

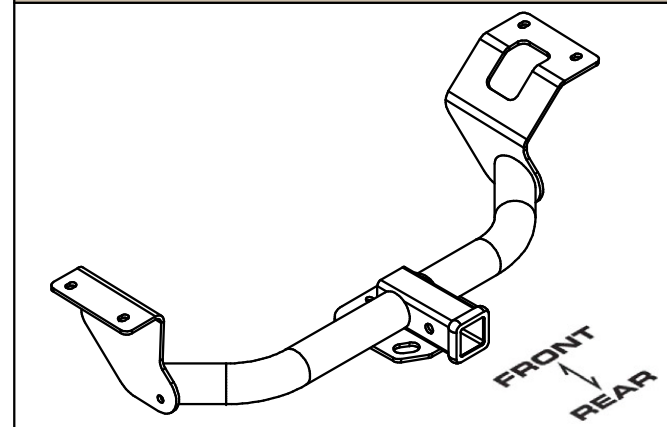
| EASY  | MODERATE                            | CHALLENGING |
|---|-------------------------------------|-------------|
|    | - NO DRILLING REQUIRED              |             |
|   | - UNDERBODY PANEL TRIMMING REQUIRED |             |
|  | - LOWER EXHAUST                     |             |
|   |                                     |             |
|   |                                     |             |

**VEHICLE PHOTO:**



REPRESENTATIVE PHOTO

**HITCH ILLUSTRATION:**



MAKE SURE YOUR HITCH MATCHES

**PERIODICALLY CHECK THIS RECEIVER HITCH TO ENSURE ALL FASTENERS ARE TIGHT AND ALL STRUCTURAL COMPONENTS ARE SOUND**

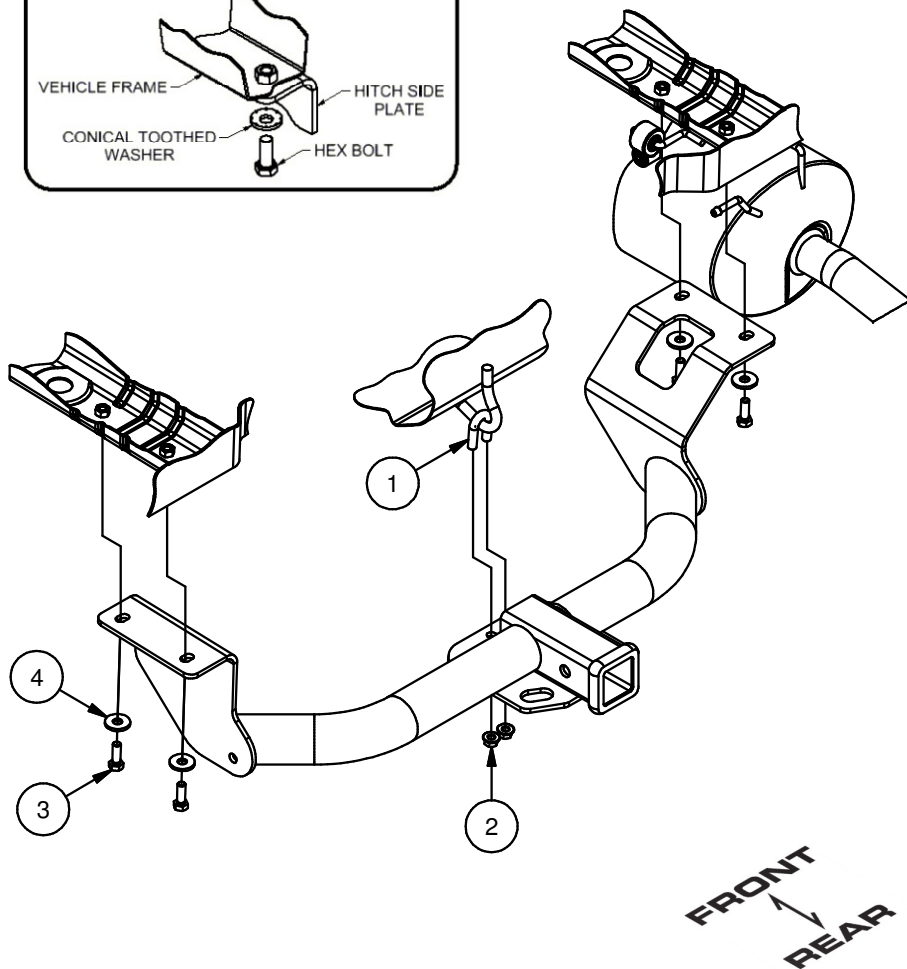
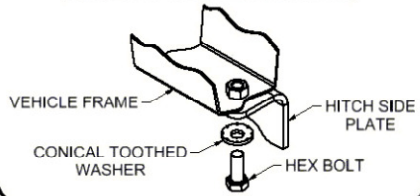
CURT Manufacturing LLC. warrants this product to be free of defects in material and/or workmanship at the time of retail purchase by the original purchaser. If the product is found to be defective, Curt Manufacturing LLC. may repair or replace the product at their option, when the product is returned, prepaid, with proof of purchase. Alteration to, misuse of, or improper installation of this product voids the warranty. Curt Manufacturing LLC.'s liability is limited to repair or replacement of products found to be defective, and specifically excludes liability for incidental or consequential loss or damage.

For more information log onto [www.curtmfg.com](http://www.curtmfg.com), & for helpful towing tips log onto [www.hitchinfo.com](http://www.hitchinfo.com)

## INSTALLATION WALKTHROUGH:

| Parts List |     |                               |                        |
|------------|-----|-------------------------------|------------------------|
| ITEM       | QTY | PART NUMBER                   | DESCRIPTION            |
| 1          | 1   | 7_16 - 14 x 1.75" x 1.00" C-C | U-BOLT                 |
| 2          | 2   | 7/16-14                       | HEX FLANGE NUT         |
| 3          | 4   | M10 - 1.25 x 30               | HEX BOLT               |
| 4          | 4   | 7/16"                         | CONICAL TOOTHED WASHER |

### CONICAL TOOTHED WASHER ORIENTATION DIAGRAM



1. Remove (10) fasteners and lower underbody panel.



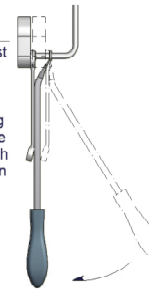
2. Lower exhaust by removing (2) rubber isolators from the hangers attached to the exhaust.

### RUBBER ISOLATOR REMOVAL DIAGRAM

This technique can be used if an Exhaust Hanger Removal Pliers is not available.

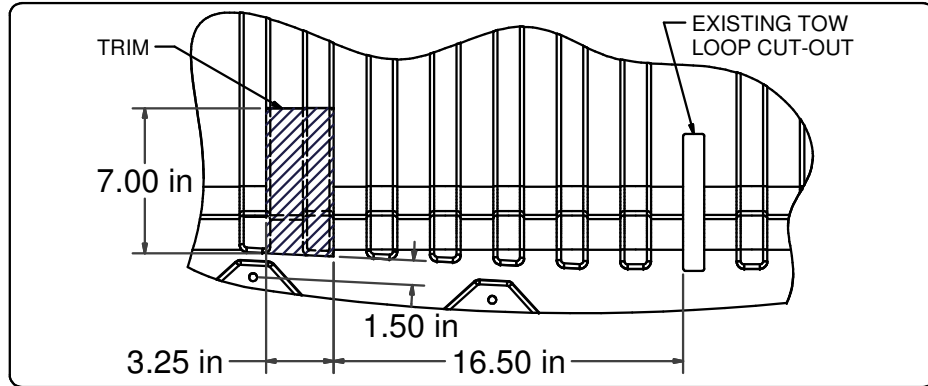
Using a 5/8" open end wrench, slide the wrench up to the rubber isolator, cradling the hanger rod as shown. Next place the flat edge of a pry bar between the wrench and the hanger stop or hanger rod. Then simply rotate the pry bar toward the wrench to remove the rubber isolator.

Note: Using a spray lubricant or soapy water on the hanger rod and the rubber isolator helps removal.

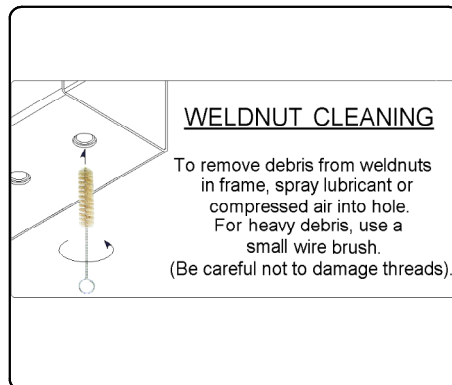


## INSTALLATION WALKTHROUGH:

3. Mark and trim underbody panel. Reattach underbody panel using fasteners removed in Step (1). **Note:** Dimensions are approximate, confirm fit prior to trimming. Use ribs of the underbody panel as cutting guides.



4. Insert 7/16" U-bolt through tow hook, as shown. Raise hitch into position and secure using 7/16" flange nuts to the U-bolt and 10mm bolts with 7/16" conical toothed washers to the weldnuts in the frame rails.



5. Torque all 7/16" hardware to 50 ft-lbs. Torque all 10mm hardware to 48 ft-lbs.



6. Raise exhaust back into position.



# 13119 / 41576

# HONDA CR-V

8/13/2018

GROSS LOAD CAPACITY WHEN USED AS A WEIGHT CARRYING HITCH: 3,500 LBS. TRAILER WEIGHT & 350 LBS. TONGUE WEIGHT.

**\*\*\*DO NOT EXCEED VEHICLE MANUFACTURER'S RECOMMENDED TOWING CAPACITY.\*\*\***

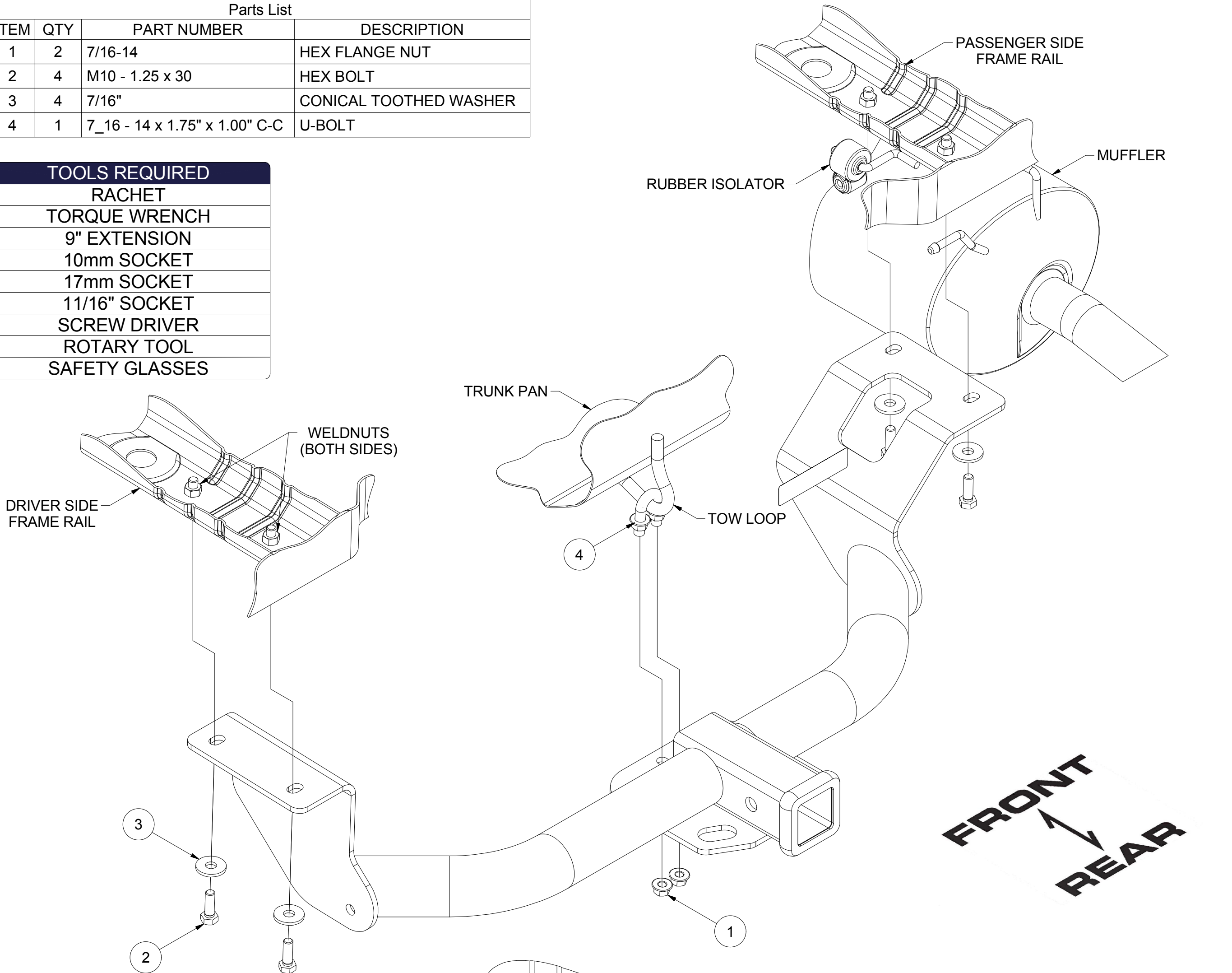
WARNING: ALL NON-TRAILER LOADS APPLIED TO THIS PRODUCT MUST BE SUPPORTED BY 18050 STABILIZING STRAPS.

**\*\* FAILURE TO PROPERLY SUPPORT NON-TRAILER LOADS WILL VOID PRODUCT WARRANTY\*\***

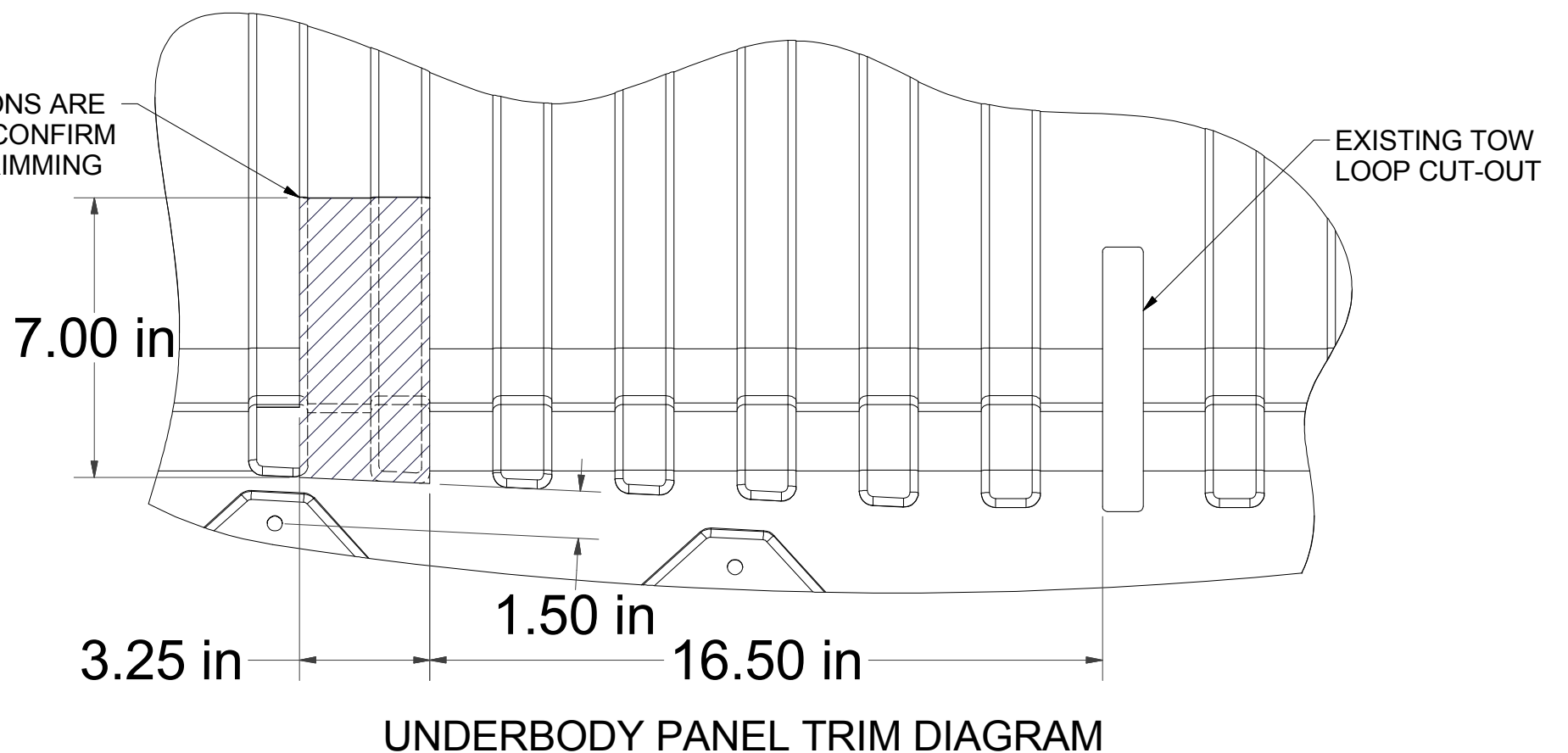
HAVING INSTALLATION QUESTIONS? CALL TECHNICAL SUPPORT AT 1-800-798-0813

| Parts List |     |                               |                        |
|------------|-----|-------------------------------|------------------------|
| ITEM       | QTY | PART NUMBER                   | DESCRIPTION            |
| 1          | 2   | 7/16-14                       | HEX FLANGE NUT         |
| 2          | 4   | M10 - 1.25 x 30               | HEX BOLT               |
| 3          | 4   | 7/16"                         | CONICAL TOOTHED WASHER |
| 4          | 1   | 7_16 - 14 x 1.75" x 1.00" C-C | U-BOLT                 |

| TOOLS REQUIRED |
|----------------|
| RATCHET        |
| TORQUE WRENCH  |
| 9" EXTENSION   |
| 10mm SOCKET    |
| 17mm SOCKET    |
| 11/16" SOCKET  |
| SCREW DRIVER   |
| ROTARY TOOL    |
| SAFETY GLASSES |



**NOTE:** DIMENSIONS ARE APPROXIMATE, CONFIRM FIT PRIOR TO TRIMMING



HITCH WEIGHT: 30 LBS.  
INSTALL TIME  
PROFESSIONAL: 30 MINUTES  
NOVICE (DIY): 60 MINUTES  
INSTALL NOTES:  
- NO DRILLING REQUIRED  
- UNDERBODY PANEL TRIMMING REQUIRED  
- LOWER EXHAUST

**PERIODICALLY CHECK THIS RECEIVER HITCH TO ENSURE THAT ALL FASTENERS ARE TIGHT AND THAT ALL STRUCTURAL COMPONENTS ARE SOUND.**

Curt Manufacturing LLC., warrants this product to be free of defects in material and/or workmanship at the time of retail purchase by the original purchaser. If the product is found to be defective, Curt Manufacturing LLC., may repair or replace the product, at their option, when the product is returned, prepaid, with proof of purchase. Alteration to, misuse of, or improper installation of this product voids the warranty. Curt Manufacturing LLC.'s liability is limited to repair or replacement of products found to be defective, and specifically excludes liability for incidental or consequential loss or damage.

13119 / 41576

HONDA CR-V

8/13/2018

GROSS LOAD CAPACITY WHEN USED AS A WEIGHT CARRYING HITCH: 3,500 LBS. TRAILER WEIGHT & 350 LBS. TONGUE WEIGHT.

**\*\*\*DO NOT EXCEED VEHICLE MANUFACTURER'S RECOMMENDED TOWING CAPACITY.\*\*\***

**WARNING: ALL NON-TRAILER LOADS APPLIED TO THIS PRODUCT MUST BE SUPPORTED BY 18050 STABILIZING STRAPS.**

**\*\* FAILURE TO PROPERLY SUPPORT NON-TRAILER LOADS WILL VOID PRODUCT WARRANTY\*\***

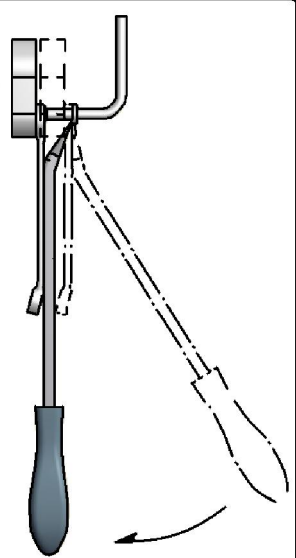
HAVING INSTALLATION QUESTIONS? CALL TECHNICAL SUPPORT AT 1-800-798-0813

**RUBBER ISOLATOR  
REMOVAL DIAGRAM**

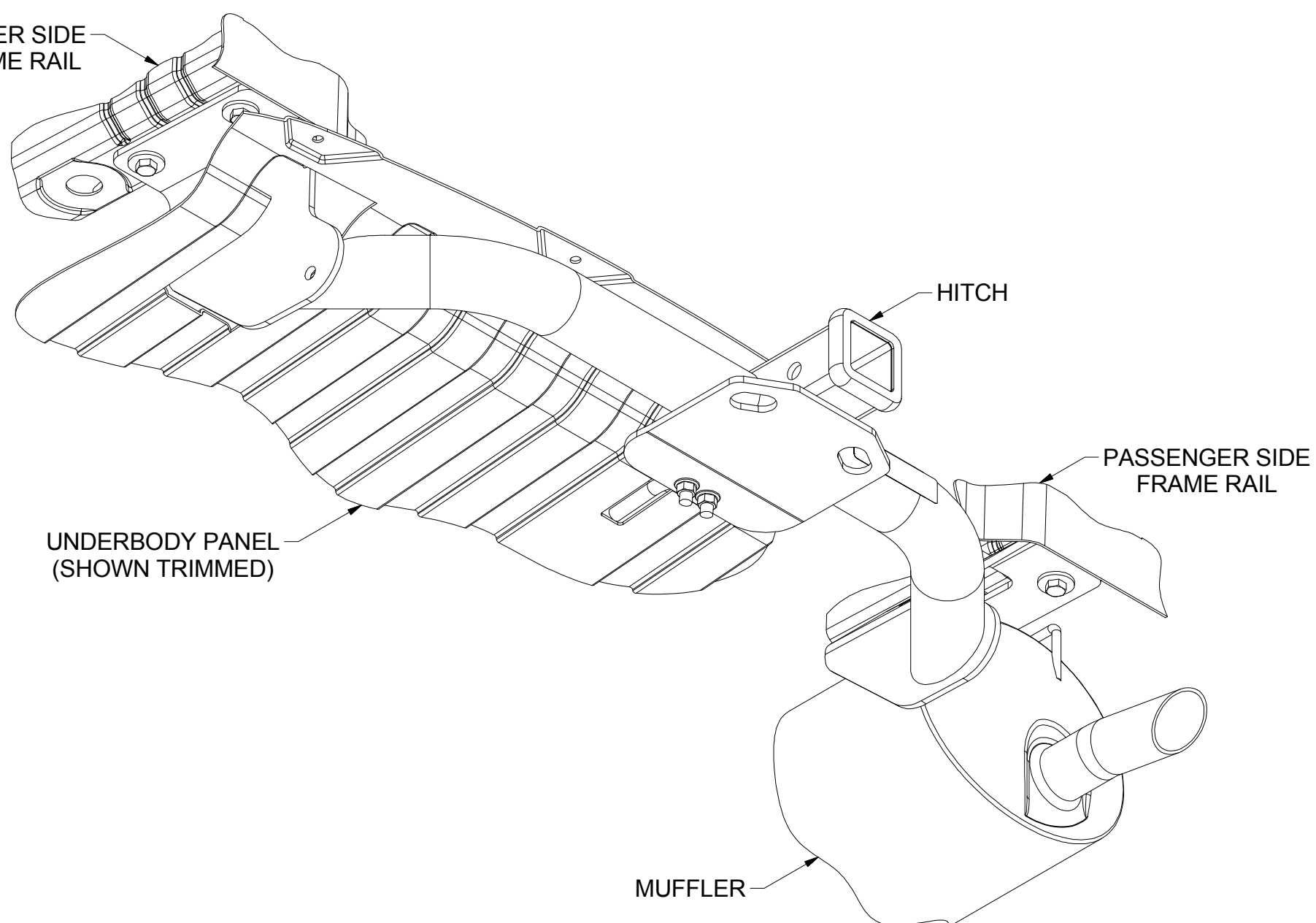
This technique can be used if an Exhaust Hanger Removal Pliers is not available.

Using a 5/8" open end wrench, slide the wrench up to the rubber isolator, cradling the hanger rod as shown. Next place the flat edge of a pry bar between the wrench and the hanger stop or hanger rod. Then simply rotate the pry bar toward the wrench to remove the rubber isolator.

Note: Using a spray lubricant or soapy water on the hanger rod and the rubber isolator helps removal.

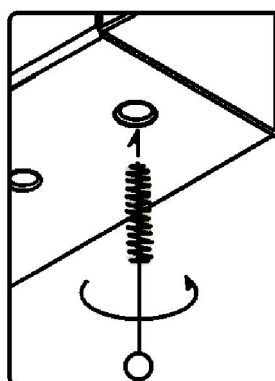


DRIVER SIDE  
FRAME RAIL



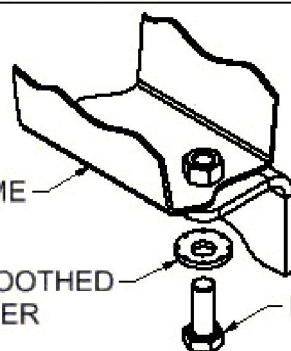
**WELDNUT CLEANING**

To remove debris from weldnuts in frame, spray lubricant or compressed air into hole. For heavy debris, use a small wire brush. (Be careful not to damage threads).



**CONICAL TOOTHED WASHER  
ORIENTATION DIAGRAM**

VEHICLE FRAME  
HITCH SIDE PLATE  
CONICAL TOOTHED WASHER  
HEX BOLT



INSTALLED HITCH

**INSTALLATION STEPS**

1. Remove (10) fasteners and lower underbody panel.
2. Lower exhaust by removing (2) rubber isolators from the hangers attached to the exhaust. (See RUBBER ISOLATOR REMOVAL DIAGRAM)
3. Mark and trim underbody panel. Reattach underbody panel using fasteners removed in Step (1). **Note:** Dimensions are approximate, confirm fit prior to trimming. Use ribs of the underbody panel as cutting guides. (See Underbody panel trim diagram)
4. Insert 7/16" U-bolt through tow hook, as shown.
5. Raise hitch into position and secure using 7/16" flange nuts to the U-bolt and 10mm bolts with 7/16" conical toothed washers to the weldnuts in the frame rails. (See WELDNUT CLEANING DIAGRAM)
6. Torque all 7/16" hardware to 50 ft-lbs.  
Torque all 10mm hardware to 48 ft-lbs.
7. Raise exhaust back into position.

**PERIODICALLY CHECK THIS RECEIVER HITCH TO ENSURE THAT ALL FASTENERS ARE TIGHT AND THAT ALL STRUCTURAL COMPONENTS ARE SOUND.**

Curt Manufacturing LLC., warrants this product to be free of defects in material and/or workmanship at the time of retail purchase by the original purchaser. If the product is found to be defective, Curt Manufacturing LLC., may repair or replace the product, at their option, when the product is returned, prepaid, with proof of purchase. Alteration to, misuse of, or improper installation of this product voids the warranty. Curt Manufacturing LLC.'s liability is limited to repair or replacement of products found to be defective, and specifically excludes liability for incidental or consequential loss or damage.