



Safety glasses should be worn at all times while installing this product.

YEARS: 2013-PRESENT

MAKE: HYUNDAI

MODEL: SANTA FE (2.0 / 2.4L 4 CYL ONLY)

YEARS: 2014-2015

MAKE: KIA

MODEL: SORENTO (ALL)

STYLE: SUV

WARNING: NEVER EXCEED YOUR VEHICLE MANUFACTURER'S RECOMMENDED TOWING CAPACITY

WEIGHT CARRYING: TRAILER WEIGHT: 6,000 LBS.
TONGUE WEIGHT: 900 LBS.

WEIGHT DISTRIBUTION: TRAILER WEIGHT: 8,000 LBS.
TONGUE WEIGHT: 900 LBS.

PRO INSTALL TIME: 20 MIN.
NOVICE INSTALL TIME: 40 MIN.

IF YOU ARE HESITANT TO UNDERTAKE THIS TASK ON YOUR OWN, CONTACT AN AUTHORIZED CURT INSTALLER FOR ADDITIONAL ASSISTANCE.

INSTALLATION REQUIRES:

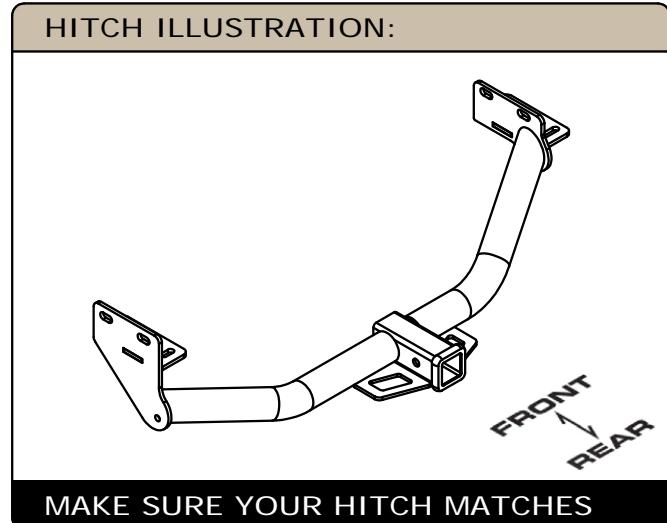
RATCHET	TORQUE WRENCH	6" SOCKET EXTENSION
SOCKET	SCREW DRIVER	SAFETY GLASSES

INSTALLATION TIPS:

- BEFORE YOU BEGIN INSTALLATION, READ ALL INSTRUCTIONS THOROUGHLY.
- TO EASE INSTALLATION, 2 PEOPLE MAY BE REQUIRED.
- USING PROPER TOOLS WILL GREATLY IMPROVE THE QUALITY OF THE INSTALL AND REDUCE THE TIME REQUIRED.
- NEED HELP OR HAVE SOME QUESTIONS? CALL TECHNICAL SUPPORT AT 800.798.0813

LEVEL OF DIFFICULTY: MODERATE

EASY	MODERATE	CHALLENGING
	- NO DRILLING REQUIRED	
	- LOWER SPARE & UNDER BODY PANELS	
	- LOWER EXHAUST	
	- CLEAN EXISTING WELDNUTS	

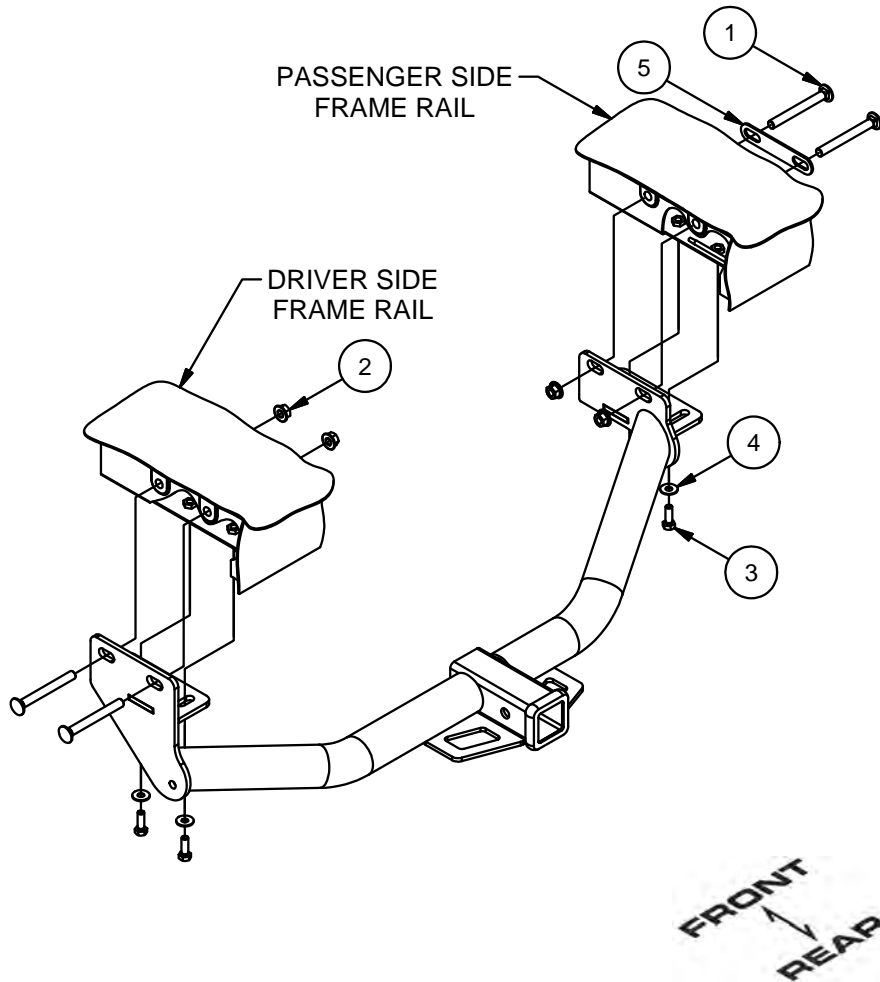


PERIODICALLY CHECK THIS RECEIVER HITCH TO ENSURE ALL FASTENERS ARE TIGHT AND ALL STRUCTURAL COMPONENTS ARE SOUND

CURT Manufacturing LLC. warrants this product to be free of defects in material and/or workmanship at the time of retail purchase by the original purchaser. If the product is found to be defective, Curt Manufacturing LLC. may repair or replace the product at their option, when the product is returned, prepaid, with proof of purchase. Alteration to, misuse of, or improper installation of this product voids the warranty. Curt Manufacturing LLC.'s liability is limited to repair or replacement of products found to be defective, and specifically excludes liability for incidental or consequential loss or damage.

INSTALLATION WALKTHROUGH:

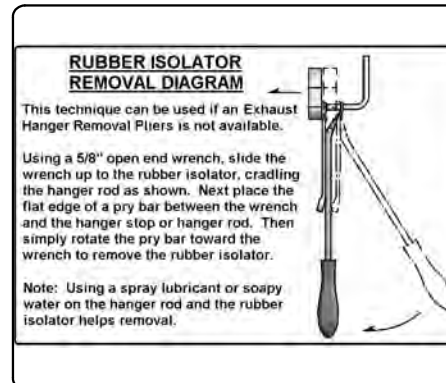
Parts List			
ITEM	QTY	PART NUMBER	DESCRIPTION
1	4	1/2-13 x 4 1/2	CARRIAGE BOLT
2	4	HFN 1213, GR8	HEX FLANGE NUT
3	4	M10 - 1.25 x 25	HEX BOLT
4	4	3/8"	CONICAL TOOTHED WASHER
5	1	13152-SP	11GA. (.1196) SPACER PLATE



1. Lower and remove spare tire.

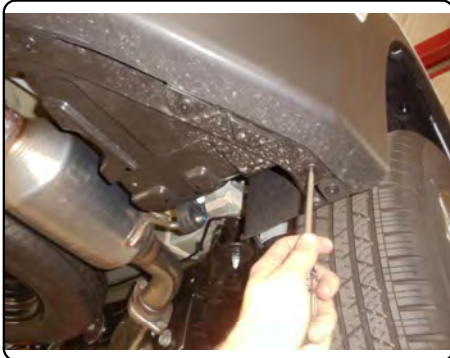


2. Lower exhaust by removing (3) rubber isolators.

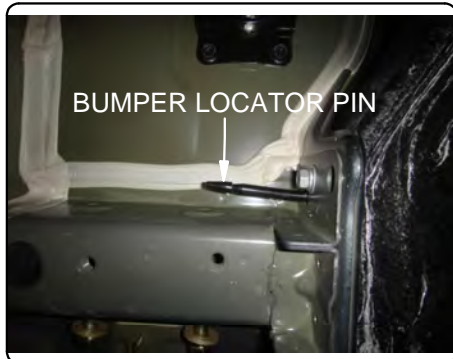


INSTALLATION WALKTHROUGH:

3. Remove the plastic under body panel from the passenger side and the driver side frame rails. Remove (3) fascia screws from the passenger side and (4) from the driver side. Carefully pull down and set aside.



4. Raise hitch into position and secure to the existing weldnuts with M10-1.25 x 25mm bolts and 3/8" conical toothed washers. **Note:** The bumper locator pin may interfere with the hitch hardware. You may need to bend or trim it to allow hardware clearance.



5. Insert 1/2-13 x 4 1/2" carriage bolts through the driver side plate and frame rail, secure using 1/2-13 flange nuts. Insert 1/2-13 x 4 1/2" carriage bolts through the 13152-SP spacer, in the passenger side frame rail and out the passenger side plate, secure using 1/2-13 flange nuts.

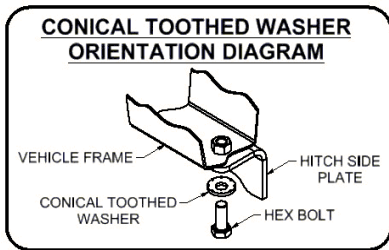
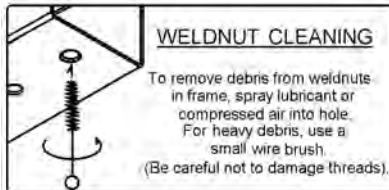
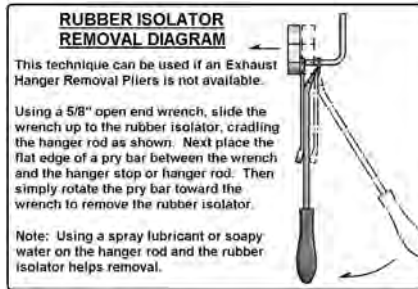


6. Torque all 1/2" hardware to 110 ft-lbs. Torque all 10mm hardware to 48 ft-lbs. Raise exhaust and spare tire back into position. Reinstall passenger side and driver side under body panels removed in Step (3).



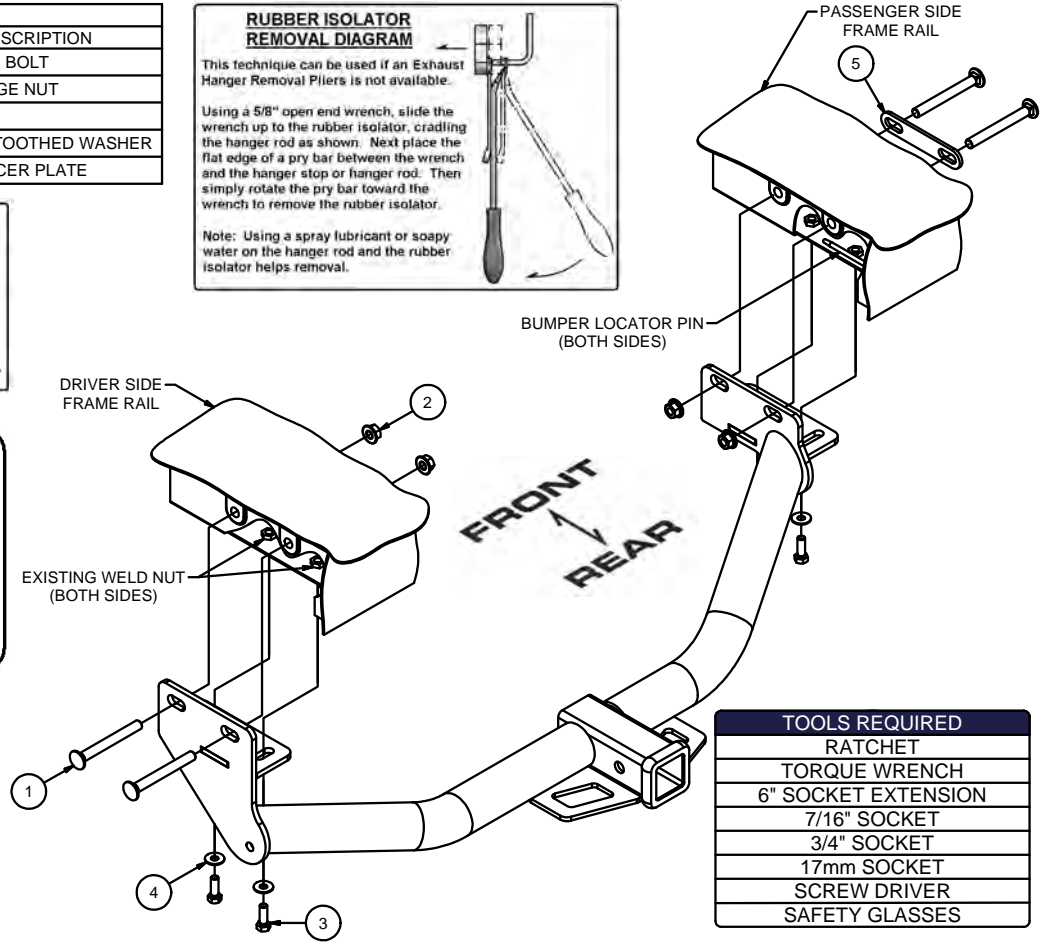
13152**HYUNDAI SANTA FE (2.0 / 2.4L 4 CYL ONLY)
KIA SORENTO (ALL)****7/20/2017****GROSS LOAD CAPACITY WHEN USED AS A WEIGHT CARRYING HITCH: 6,000 LBS. TRAILER WEIGHT & 900 LBS. TONGUE WEIGHT.
GROSS LOAD CAPACITY WHEN USED AS A WEIGHT DISTRIBUTION HITCH: 8,000 LBS. TRAILER WEIGHT & 900 LBS. TONGUE WEIGHT*******DO NOT EXCEED VEHICLE MANUFACTURER'S RECOMMENDED TOWING CAPACITY.*******HAVING INSTALLATION QUESTIONS? CALL TECHNICAL SUPPORT AT 1-800-798-0813**

Parts List			
ITEM	QTY	PART NUMBER	DESCRIPTION
1	4	1/2-13 x 4 1/2	CARRIAGE BOLT
2	4	HFN 1213, GR8	HEX FLANGE NUT
3	4	M10 - 1.25 x 25	HEX BOLT
4	4	3/8"	CONICAL TOOTHED WASHER
5	1	13152-SP	.188" SPACER PLATE



HITCH WEIGHT: 34 LBS.
INSTALL TIME
PROFESSIONAL: 20 MINUTES
NOVICE (DIY): 40 MINUTES

INSTALL NOTES:
- NO DRILL
- LOWER SPARE
- LOWER EXHAUST
- LOWER UNDER BODY PANELS



TOOLS REQUIRED
RATCHET
TORQUE WRENCH
6" SOCKET EXTENSION
7/16" SOCKET
3/4" SOCKET
17mm SOCKET
SCREW DRIVER
SAFETY GLASSES

INSTALLATION STEPS

1. Lower and remove spare tire.
2. Lower exhaust by removing (3) rubber isolators.
3. Remove the plastic under body panel from the passenger side and the driver side frame rails. Remove (3) fascia screws from the passenger side and (4) from the driver side. Carefully pull down and set aside.
4. Raise hitch into position and secure to the existing weldnuts with M10-1.25 x 25mm bolts and 3/8" conical toothed washers.
5. Insert 1/2-13 x 4 1/2" carriage bolts through the driver side plate and frame rail, secure using 1/2-13 flange nuts. Insert 1/2-13 x 4 1/2" carriage bolts through the 13152-SP spacer, in the passenger side frame rail and out the passenger side plate, secure using 1/2-13 flange nuts. **Note:** The bumper locator pin may interfere with the hitch hardware. You may need to bend or trim it to allow hardware clearance.
6. Torque all 1/2" hardware to 110 ft-lbs.
Torque all 10mm hardware to 48 ft-lbs.
7. Raise exhaust and spare tire back into position. Reinstall passenger side and driver side under body panels removed in Step (3).

PERIODICALLY CHECK THIS RECEIVER HITCH TO ENSURE THAT ALL FASTENERS ARE TIGHT AND THAT ALL STRUCTURAL COMPONENTS ARE SOUND.

Curt Manufacturing LLC., warrants this product to be free of defects in material and/or workmanship at the time of retail purchase by the original purchaser. If the product is found to be defective, Curt Manufacturing LLC., may repair or replace the product, at their option, when the product is returned, prepaid, with proof of purchase. Alteration to, misuse of, or improper installation of this product voids the warranty. Curt Manufacturing LLC.'s liability is limited to repair or replacement of products found to be defective, and specifically excludes liability for incidental or consequential loss or damage.