

**13212****2001-CURRENT CHEVY/GMC 2500/3500 HD SHORT BOX WITH FACTORY BUMPER  
(INCLUDING CREW CAB) COMPATIBLE WITH TOMMYGATE**

12/7/2012

**GROSS LOAD CAPACITY WHEN USED AS A WEIGHT CARRYING HITCH: 8,000 LBS. TRAILER WEIGHT & 800 LBS. TONGUE WEIGHT.  
GROSS LOAD CAPACITY WHEN USED AS A WEIGHT DISTRIBUTION HITCH: 12,000 LBS. TRAILER WEIGHT & 1,200 LBS. TONGUE WEIGHT****\*\*\*DO NOT EXCEED VEHICLE MANUFACTURER'S RECOMMENDED TOWING CAPACITY.\*\*\***

Parts List			
ITEM	QTY	PART NUMBER	DESCRIPTION
1	4	1/2-13 x 1 3/4	HEX BOLT
2	2	CM-SP34	.188 x 1.50 x 3.00" ROUND HOLE SPACER
3	4	CM-SP50	.250 x 1.00 x 1.50" ROUND HOLE SPACER
4	4	1/2"	LOCK WASHER
5	4	1/2-13	HEX NUT
6	2	CM-SP22	.250 x 1.50 x 1.50" ROUND HOLE SPACER

**TOOLS REQUIRED**

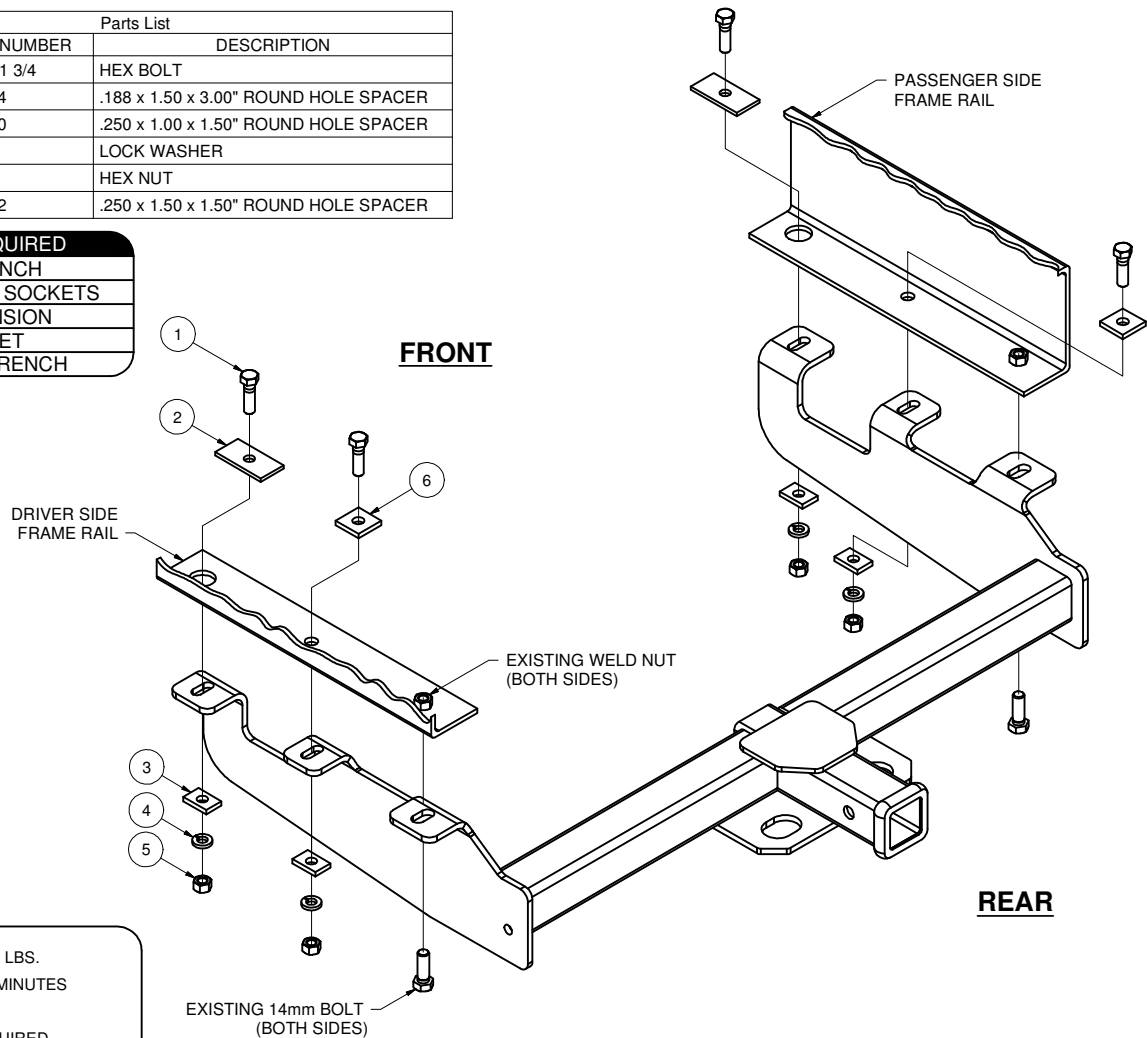
3/4" WRENCH

3/4" AND 22mm SOCKETS

12" EXTENSION

RATCHET

TORQUE WRENCH



HITCH WEIGHT: 50 LBS.  
 INSTALL TIME: 30 MINUTES  
 INSTALL NOTES:  
 - NO DRILLING REQUIRED  
 - REMOVE SPARE TIRE

**INSTALLATION STEPS**

1. Remove spare tire for ease of installation.
2. Remove (1) bumper bracket bolt from both sides of the vehicle. Raise hitch into position by aligning the holes in the hitch with the holes where the bumper bracket bolts were removed. Secure hitch using bumper bracket bolts
3. Place a 1/2"-13 x 1 3/4" bolt and a CM-SP34 spacer in the forwardmost hole of the frame and hitch (one each side). Secure with a CM-SP50 spacer, lock washer and 1/2-13 hex nut as shown.
4. Place a 1/2"-13 x 1 3/4" bolt and a CM-SP22 spacer in the center hole of the frame and hitch (one each side). Secure with a CM-SP50 spacer, lock washer and 1/2-13 hex nut as shown.
5. Torque all 1/2" hardware to 110 ft-lbs. Torque all 14mm hardware to 126 ft-lbs.
6. Reinstall spare tire.

**PERIODICALLY CHECK THIS RECEIVER HITCH TO INSURE THAT ALL FASTENERS  
ARE TIGHT AND THAT ALL STRUCTURAL COMPONENTS ARE SOUND.**

Curt Manufacturing Inc., warrants this product to be free of defects in material and/or workmanship at the time of retail purchase by the original purchaser. If the product is found to be defective, Curt Manufacturing Inc., may repair or replace the product, at their option, when the product is returned, prepaid, with proof of purchase. Alteration to, misuse of, or improper installation of this product voids the warranty. Curt Manufacturing Inc.'s liability is limited to repair or replacement of products found to be defective, and specifically excludes liability for incidental or consequential loss or damage.