

13220**PORSCHE CAYENNE (EXCEPT REAR-MOUNT SPARE), AUDI Q7
& VOLKSWAGEN TOUAREG**

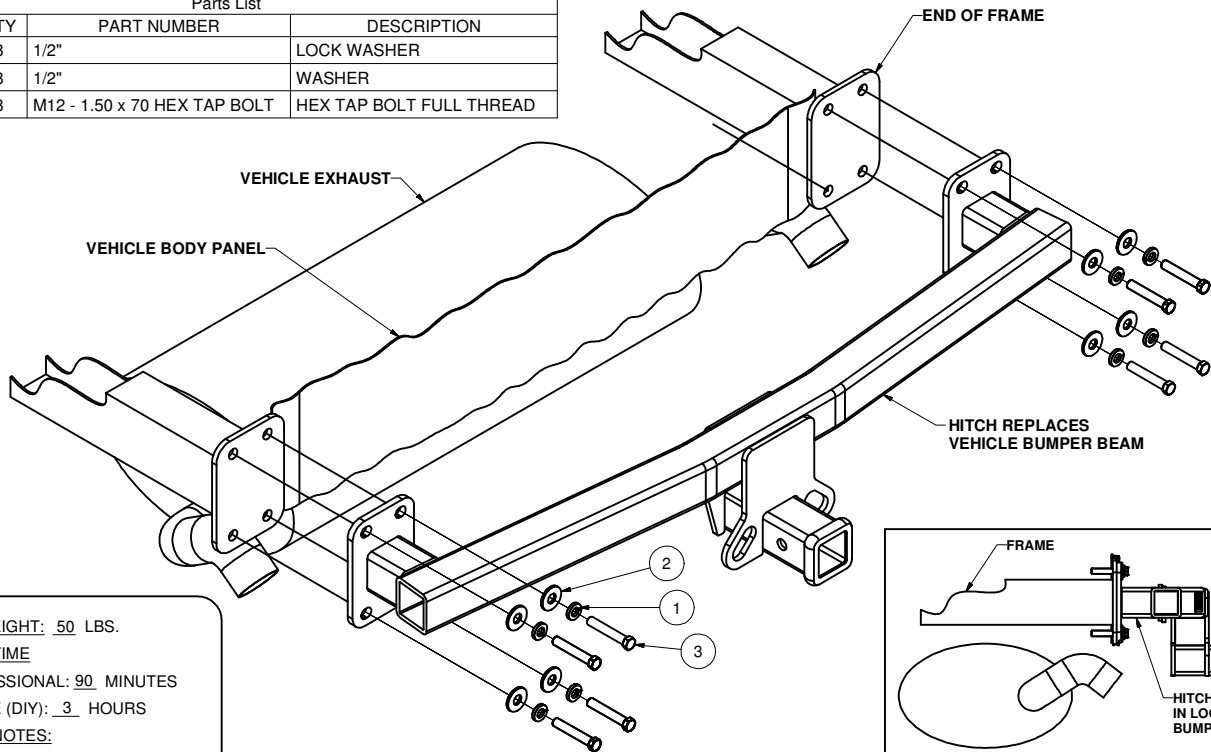
7/16/2012

GROSS LOAD CAPACITY WHEN USED AS A WEIGHT CARRYING HITCH: 6,000 LBS. TRAILER WEIGHT & 600 LBS. TONGUE WEIGHT.

*****DO NOT EXCEED VEHICLE MANUFACTURER'S RECOMMENDED TOWING CAPACITY.*******WARNING: ALL NON-TRAILER LOADS APPLIED TO THIS PRODUCT MUST BE SUPPORTED BY AUXILIARY STABILIZING STRAPS.****** FAILURE TO PROPERLY SUPPORT NON-TRAILER LOADS WILL VOID PRODUCT WARRANTY****

HAVING INSTALLATION QUESTIONS? CALL TECHNICAL SUPPORT AT 1-800-798-0813

Parts List			
ITEM	QTY	PART NUMBER	DESCRIPTION
1	8	1/2"	LOCK WASHER
2	8	1/2"	WASHER
3	8	M12 - 1.50 x 70 HEX TAP BOLT	HEX TAP BOLT FULL THREAD



HITCH WEIGHT: 50 LBS.

INSTALL TIME

PROFESSIONAL: 90 MINUTES

NOVICE (DIY): 3 HOURS

INSTALL NOTES:

- FASCIA REMOVAL TRIMMING ON CAYENNE AND Q7
- TAIL LIGHT REMOVAL

INSTALLATION STEPS**For Audi Q7:**

Remove each of the (4) torx head screws on each side of the wheel well and the (4) 10mm nuts located inside the spare tire well. (Use a 10mm deep socket and extension to remove the nuts. Secure socket to extension to prevent the socket from falling in the body of the vehicle.) Remove the panel in the center of the bumper.

1) Remove the vehicle tail lights (Touareg and Cayenne only) by locating two screws each side on the inside of the hatch opening. With the screws removed pull straight back on the lens to release the ball clip.

2) Remove the twenty four bumper fascia attachment screws and slide the fascia rearward.

Cayenne requires fascia trimming

*** NOTE: On 2011 Cayenne the bumper fascia line up pins will need to be removed. (both sides)***

3) Remove the eight M12 bolts attaching the steel bumper beam to the rear of the vehicle. (Note: The foam pad on top of the bumper beam can be re-installed above the hitch but may need to be trimmed so that it does not push up on plastic.)

4) Install the hitch using the M12 bolts and the washers provided. (For vehicles with M14 fasteners, use existing hardware)

5) With hitch installed re-assemble fascia and re-install tail lights.

NOTE: For Audi Q7, trim panel removed earlier to refit panel onto vehicle.

7) Torque all M12 fasteners to 82 lb-ft and M14 fasteners to 136 lb-ft.

PERIODICALLY CHECK THIS RECEIVER HITCH TO ENSURE THAT ALL FASTENERS ARE TIGHT AND THAT ALL STRUCTURAL COMPONENTS ARE SOUND.

Curt Manufacturing Inc., warrants this product to be free of defects in material and/or workmanship at the time of retail purchase by the original purchaser. If the product is found to be defective, Curt Manufacturing Inc., may repair or replace the product, at their option, when the product is returned, prepaid, with proof of purchase. Alteration to, misuse of, or improper installation of this product voids the warranty. Curt Manufacturing Inc.'s liability is limited to repair or replacement of products found to be defective, and specifically excludes liability for incidental or consequential loss or damage.

75883