

13296**CHRYSLER ASPEN / DODGE DURANGO**

9/24/2012

GROSS LOAD CAPACITY WHEN USED AS A WEIGHT CARRYING HITCH: 6,000 LBS. TRAILER WEIGHT & 600 LBS. TONGUE WEIGHT.
 GROSS LOAD CAPACITY WHEN USED AS A WEIGHT DISTRIBUTION HITCH: 10,000 LBS. TRAILER WEIGHT & 1,000 LBS. TONGUE WEIGHT.

*****DO NOT EXCEED VEHICLE MANUFACTURER'S RECOMMENDED TOWING CAPACITY.*****

Parts List			
ITEM	QTY	PART NUMBER	DESCRIPTION
1	6	CM-SP52	.500 x 1.25 x 2.50" ROUND HOLE SPACER
2	4	HFN 1213	HEX FLANGE NUT
3	4	1_2 - 13 x 5 HEX	HEX BOLT
4	4	FW12	FW, 12, ZP

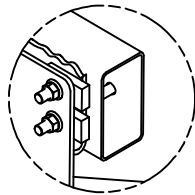
TOOLS REQUIRED

RATCHET

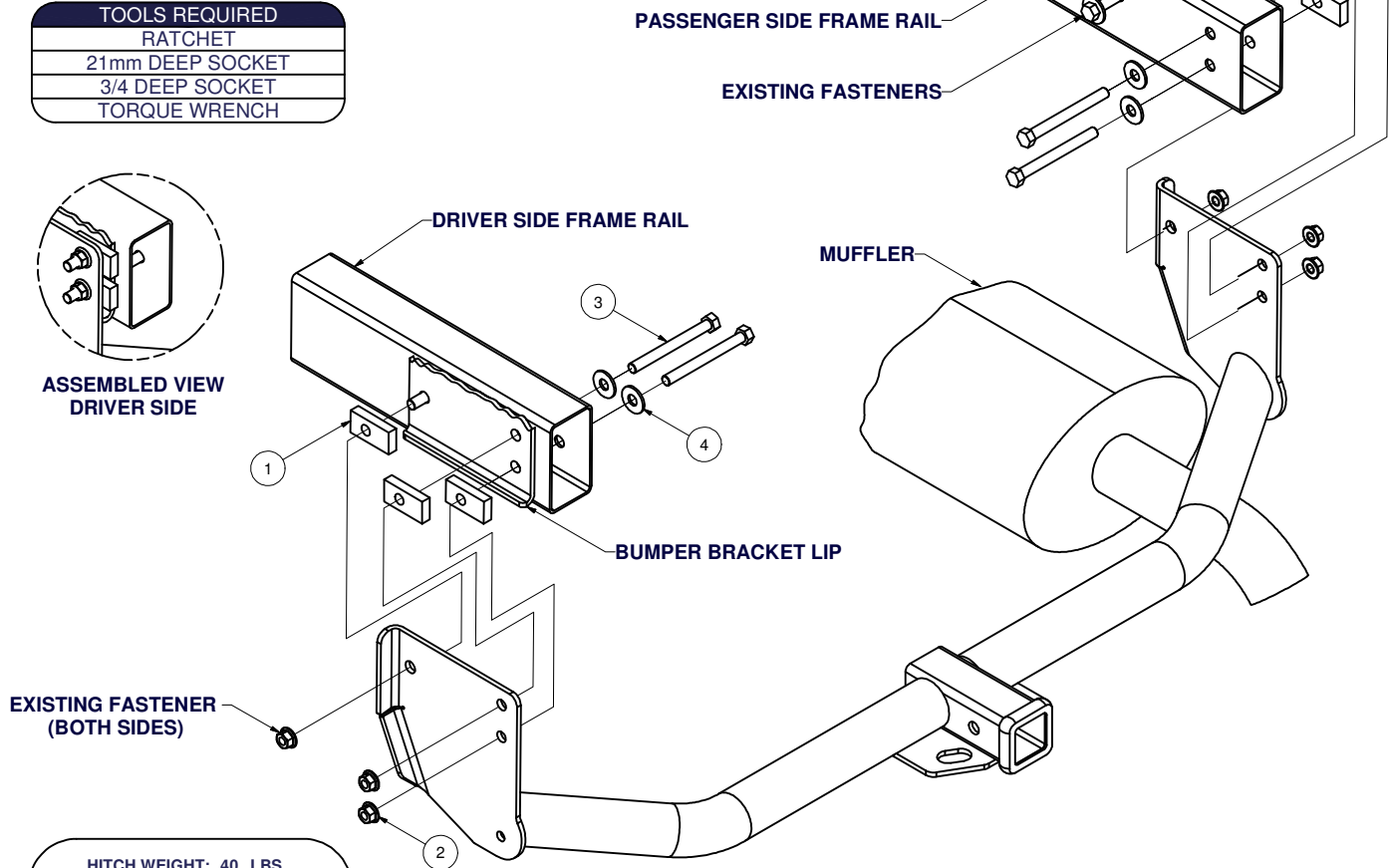
21mm DEEP SOCKET

3/4 DEEP SOCKET

TORQUE WRENCH



**ASSEMBLED VIEW
DRIVER SIDE**

HITCH WEIGHT: 40 LBS.INSTALL TIME: 30 MINUTES

INSTALL NOTES:

- NO DRILLING REQUIRED

INSTALLATION STEPS

- 1) Remove three bumper bracket nuts each side. Remove two rear most bolts each side.
- 2) Install supplied 1/2" bolts where factory bolts were removed. Push all bolts through frame until 1/2" protrudes through frame over bumper bracket lip. Position 1/2" thick spacers over bolts.
- 3) Raise hitch into position over tail pipe. Attach with existing forward most bolts and fasten with existing nuts. Fasten remaining bolts with 1/2" flange nuts.
- 4) Torque all 1/2" fasteners to 110 lb.-ft. Torque all M14 fasteners to 136 lb.-ft.

**PERIODICALLY CHECK THIS RECEIVER HITCH TO ENSURE THAT ALL FASTENERS
ARE TIGHT AND THAT ALL STRUCTURAL COMPONENTS ARE SOUND.**

Curt Manufacturing Inc., warrants this product to be free of defects in material and/or workmanship at the time of retail purchase by the original purchaser. If the product is found to be defective, Curt Manufacturing Inc., may repair or replace the product, at their option, when the product is returned, prepaid, with proof of purchase. Alteration to, misuse of, or improper installation of this product voids the warranty. Curt Manufacturing Inc.'s liability is limited to repair or replacement of products found to be defective, and specifically excludes liability for incidental or consequential loss or damage.