

13328

# ACURA MDX / HONDA PILOT

4/11/2016

GROSS LOAD CAPACITY WHEN USED AS A WEIGHT CARRYING HITCH: 3,500 LBS. TRAILER WEIGHT & 350 LBS. TONGUE WEIGHT.  
GROSS LOAD CAPACITY WHEN USED AS A WEIGHT DISTRIBUTION HITCH: 5,000 LBS. TRAILER WEIGHT & 500 LBS. TONGUE WEIGHT

\*\*\*DO NOT EXCEED VEHICLE MANUFACTURER'S RECOMMENDED TOWING CAPACITY.\*\*\*

HAVING INSTALLATION QUESTIONS? CALL TECHNICAL SUPPORT AT 1-800-798-0813

| Parts List |     |                     |                        |
|------------|-----|---------------------|------------------------|
| ITEM       | QTY | PART NUMBER         | DESCRIPTION            |
| 1          | 6   | M12 - 1.25 x 40 HEX | HEX BOLT               |
| 2          | 6   | 1/2"                | CONICAL TOOTHED WASHER |
| 3          | 2   | 3/8"                | CONICAL TOOTHED WASHER |
| 4          | 2   | M10-1.25 x 35       | HEX BOLT               |

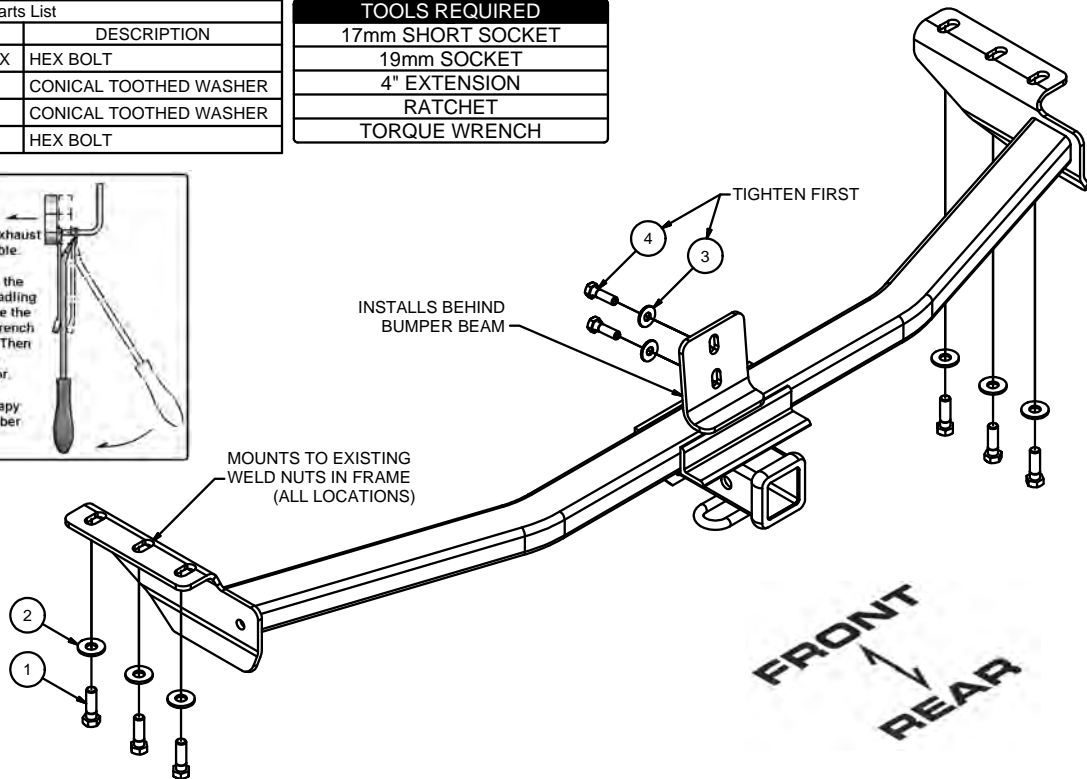
| TOOLS REQUIRED    |
|-------------------|
| 17mm SHORT SOCKET |
| 19mm SOCKET       |
| 4" EXTENSION      |
| RATCHET           |
| TORQUE WRENCH     |

**RUBBER ISOLATOR REMOVAL DIAGRAM**

This technique can be used if and Exhaust Hanger Removal Pliers is not available.

Using a 5/8" open end wrench, slide the wrench up to the rubber isolator, cradling the hanger rod as shown. Next place the flat edge of a pry bar between the wrench and the hanger stop or hanger rod. Then simply rotate the pry bar toward the wrench to remove the rubber isolator.

Note: Using a spray lubricant or soapy water on the hanger rod and the rubber isolator helps removal.



HITCH WEIGHT: 36 LBS.

INSTALL TIME

PROFESSIONAL: 30 MINUTES

NOVICE (DIY): 60 MINUTES

INSTALL NOTES:

-RUBBER ISOLATOR REMOVAL REQUIRED ON SOME MODELS

NOTE: Spare tire fascia trimming may be required on some models.

## INSTALLATION STEPS

**NOTE - FOR '04 AND LATER MDX MODELS:**

Temporarily remove spare tire, 4 rubber exhaust isolators, and moon-shaped spoiler with center mounting bracket, remember to support exhaust. Bend center hitch bracket as needed.

1. Remove the driver side tow hook and return it to the vehicle owner.
2. Raise hitch into position by sliding passenger side plate between the exhaust pipe and the floor pan of vehicle.
3. Secure hitch with M12 bolts and conical toothed washers, finger tight.
4. Install M10 bolts and conical toothed washers as shown, torque to 49 ft lbs.
5. Torque all M12 fasteners to 86 lb-ft.
6. Re-install spare tire and rubber exhaust isolators if removed.

PERIODICALLY CHECK THIS RECEIVER HITCH TO ENSURE THAT ALL FASTENERS ARE TIGHT AND THAT ALL STRUCTURAL COMPONENTS ARE SOUND.

Curt Manufacturing Inc., warrants this product to be free of defects in material and/or workmanship at the time of retail purchase by the original purchaser. If the product is found to be defective, Curt Manufacturing Inc., may repair or replace the product, at their option, when the product is returned, prepaid, with proof of purchase. Alteration to, misuse of, or improper installation of this product voids the warranty. Curt Manufacturing Inc.'s liability is limited to repair or replacement of products found to be defective, and specifically excludes liability for incidental or consequential loss or damage.